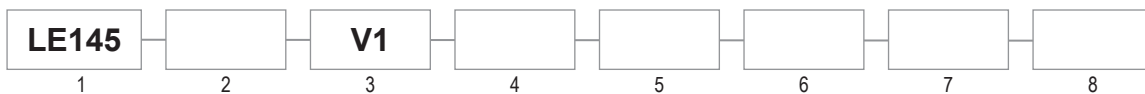


The LE145 is a very versatile fixture for use in industrial environments. This fixture has several lumen output, CCT, lens and mounting options. This durable fixture is constructed of 18 gauge steel, has a white powder coat finish and comes standard with a glass lens and (4) ½" NPT hubs.



1 SERIES	2 SOURCE	3 VOLTAGE	4 OPTIC	5 DIMMING	6 CCT	7 CORDS	8 OPTIONS
LE145	43: 43W (1 Row) 62: 62W (1 Row) 100: 100W (2 Row) 120: 120W (2 Row) 140: 140W (3 Row) 180: 180W (3 Row)	V1: 120-277VAC (50/60Hz)	Blank: None A: Diffused Acrylic	Blank: None D1: 0-10V D2: DALI	3: 3,500K 4: 4,000K 5: 5,000K	Blank: None WH: Wire Whip (10ft) CP1: 6 Ft. Cord w/120V Twist Lock Plug CP2: 6 Ft. Cord w/277V Twist Lock Plug CP3: 6 Ft. Cord w/120V Straight Blade Plug	SS: Stainless Steel Housing SP: Surge Protector (10kV) EM: Battery/Driver Backup (90min.) AL: Acrylic Lens PL: Polycarbonate Lens AM: Adjustable Mounting Bracket CB: Cable Mount (Stainless Steel) WG: Wire Guard

### CERTIFICATIONS

UL1598 / CSA 22.2 No. 250.0 (Wet / Damp)  
Lumen Maintenance (L70): >60,000 hrs. (reported)  
CRI >80  
-18°C to 40°C Ambient  
IP65

### CONSTRUCTION

18Ga. Steel, powder coat white  
Hinged front door and driver tray  
Tempered glass lens  
Pendant mount (Standard)  
1/2" NPT hub each end  
Weights: Min: 48 lbs. / Max: 70 lbs.

### ELECTRICAL

120-277VAC (50/60Hz)

### FEATURES

LED modular boards  
15° adjustments on optional mounting brackets  
5 Year warranty

\*These products are Manufactured in the USA with both domestic and imported components; not all fixture configurations are compliant. Contact LDPI Sales with specific part number and requirement - Build America, Buy America, TAA or any other federal procurement act for compliance confirmation. Compliance confirmation can take up to 3 days.

### PERFORMANCE

Source	Voltage (VAC) 50/60Hz	Input Current (A)	Wattage (W)	CCT	Lumen Output* (Lm)	
					No Optic	Diffused Acrylic Optic
43 (1 Row)		0.36-0.16	43	3,500K	5,910	4,780
				4,000K	6,030	4,880
				5,000K	6,120	4,950
62 (1 Row)		0.53-0.23	63	3,500K	7,950	6,440
				4,000K	8,120	6,580
				5,000K	8,240	6,670
100 (2 Rows)		0.83-0.36	100	3,500K	12,700	10,280
				4,000K	12,980	10,500
				5,000K	13,160	10,650
120 (2 Rows)		1.00-0.43	120	3,500K	15,500	12,550
				4,000K	15,840	12,820
				5,000K	16,060	13,000
140 (3 Rows)		1.17-0.51	140	3,500K	18,930	15,310
				4,000K	19,350	15,650
				5,000K	19,620	15,870
180 (3 Rows)		1.50-0.65	180	3,500K	23,380	18,920
				4,000K	23,890	19,340
				5,000K	24,230	19,610
Emergency Mode			10.4	3,500K	2,500	2,020
				4,000K	2,550	2,060
				5,000K	2,590	2,090

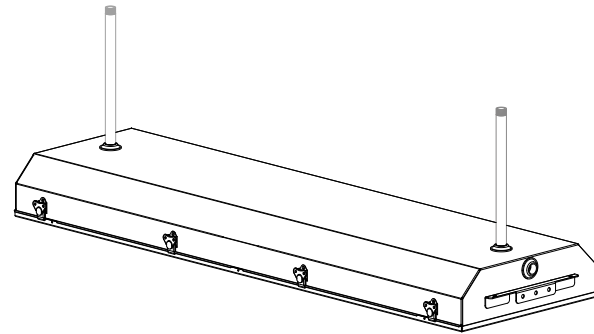
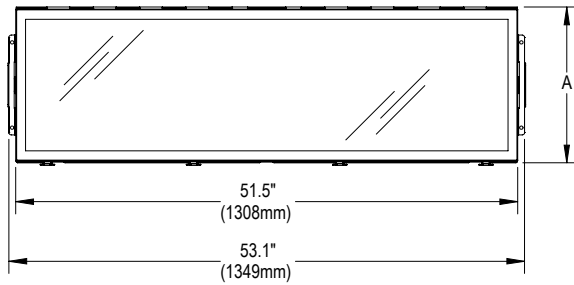
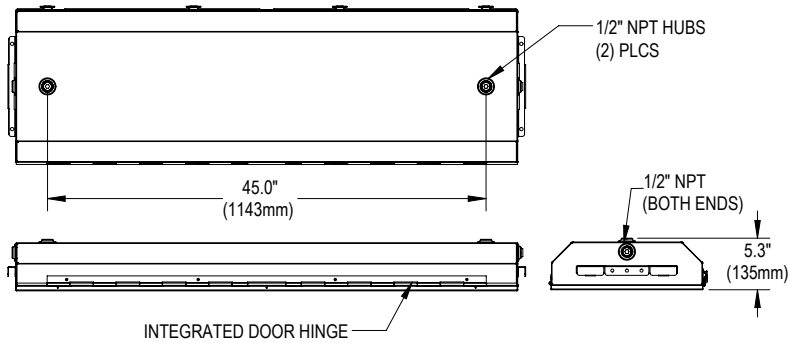
# LE145

## ORDINARY LOCATION LED LIGHTING

Industrial • Task Lighting • Welding



### DIMENSIONS (NOMINAL)



Shown with standard pendant mount  
(conduit not included)

"A" Dimension in. (mm)	
1 Row	12.2" (310mm)
2 Row	16.2" (411mm)
3 Row	20.7" (526mm)

### MOUNTING ACCESSORIES (CAN BE ORDERED SEPARATELY AND FIELD INSTALLED)

Option Number	Part Number	Item	Dimensions
AM Adjustable Mounting Brackets	6856		<p>55.3" (1404mm) CENTER OF SLOT</p> <p>3.0" (76.2mm)</p> <p>1.5" (38.1mm)</p> <p>Ø .34" X .44" SLOT (TYP.)</p> <p>12.6" (320mm)</p>


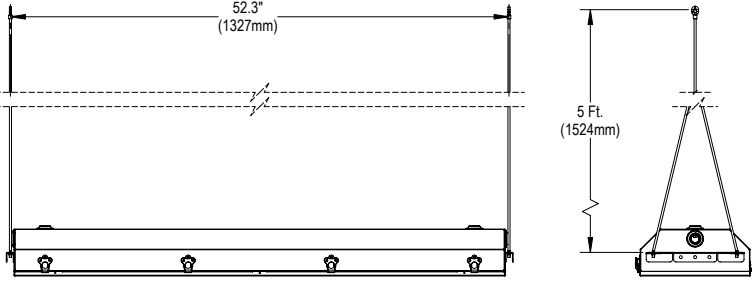


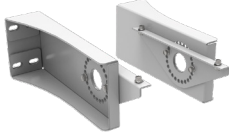
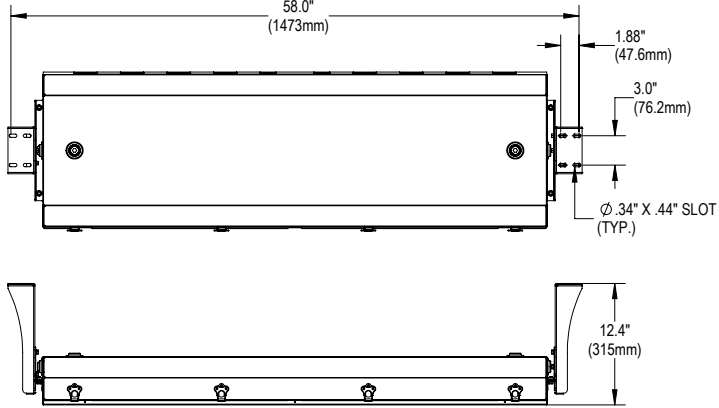
# LE145

## ORDINARY LOCATION LED LIGHTING

Industrial • Task Lighting • Welding

### MOUNTING ACCESSORIES (CAN BE ORDERED SEPARATELY AND FIELD INSTALLED)

Option Number	Part Number	Item	Dimensions
CB Cable Mount (5 Ft. Standard)	6875		

Option Number	Part Number	Item	Dimensions
Vertical Surface Mounting Bracket Kit (Ordered Separately, Field Installed)	10357		



Shown with EM option

