

LEFP SERIES

LED GENERAL LIGHTING

DATE: _____ PROJECT MGR: _____

JOB: _____

PN: _____



APPLICATIONS

General Industrial
Commercial Office
Institutional and School
Medical

LEFP general industrial ceiling mount fixtures are the LED alternative to traditional ~~1x4, 2x2,~~ and 2x4 fluorescent fixtures. The thin sheet LED provides a highly uniform, smooth, low glare illumination.

SPECIFICATIONS

CERTIFICATIONS: UL1598
CSA 22.2 No. 250.0
UL8750
CSA 22.2 No. 250.13
DLC



CONSTRUCTION: Powder Coated White Aluminum Frame
~~1x4, 2x2,~~ 2x4 Sizes Available
Low Profile Design
0-10V Dimming Standard

PERFORMANCE: 80+ CRI

	Power	LUMENS		
		CCT 3000K	CCT 3500K	CCT 4000K
LEFP 1x4	35	3323lm	3445lm	3491lm
LEFP 2x2	35	3039lm	3228lm	3232lm
LEFP 2x4	48	4465lm	4504lm	4908lm

ELECTRICAL: 120-277 Volts, 50/60 Hz

LED GENERAL LIGHTING

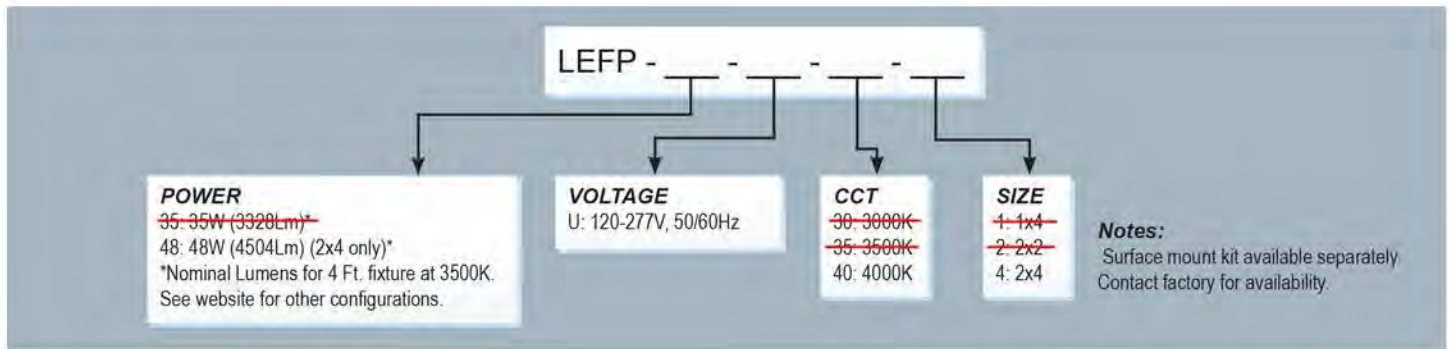


LEFP SERIES

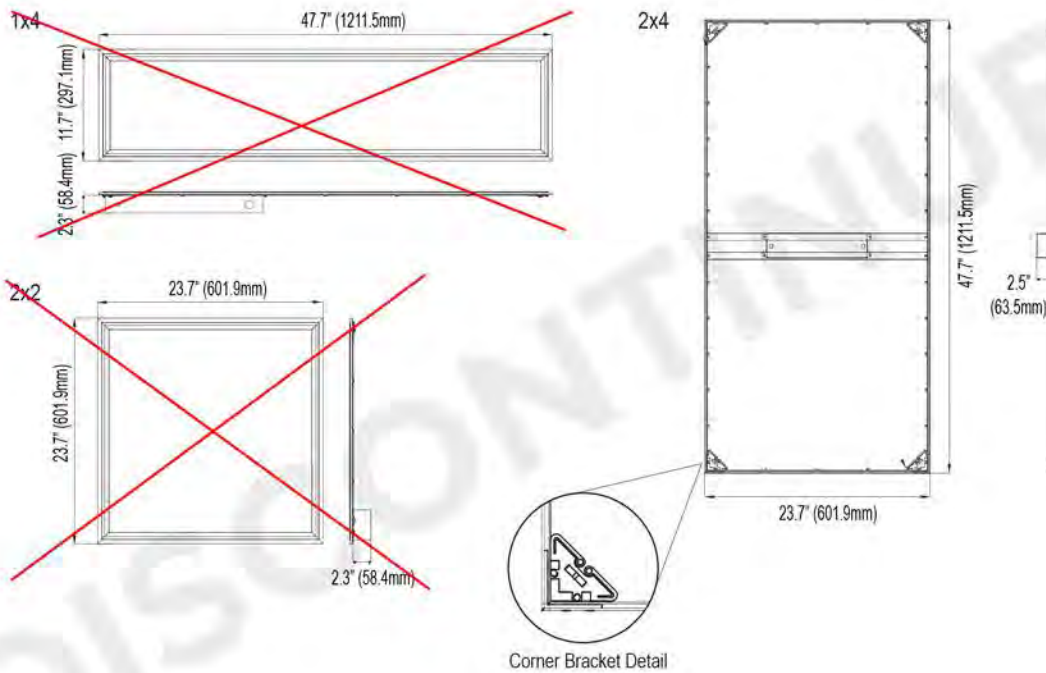
LED GENERAL LIGHTING



www.ldpi-inc.com



Dimensions (Nominal)



Surface Mount Kit (Ordered Separately)

