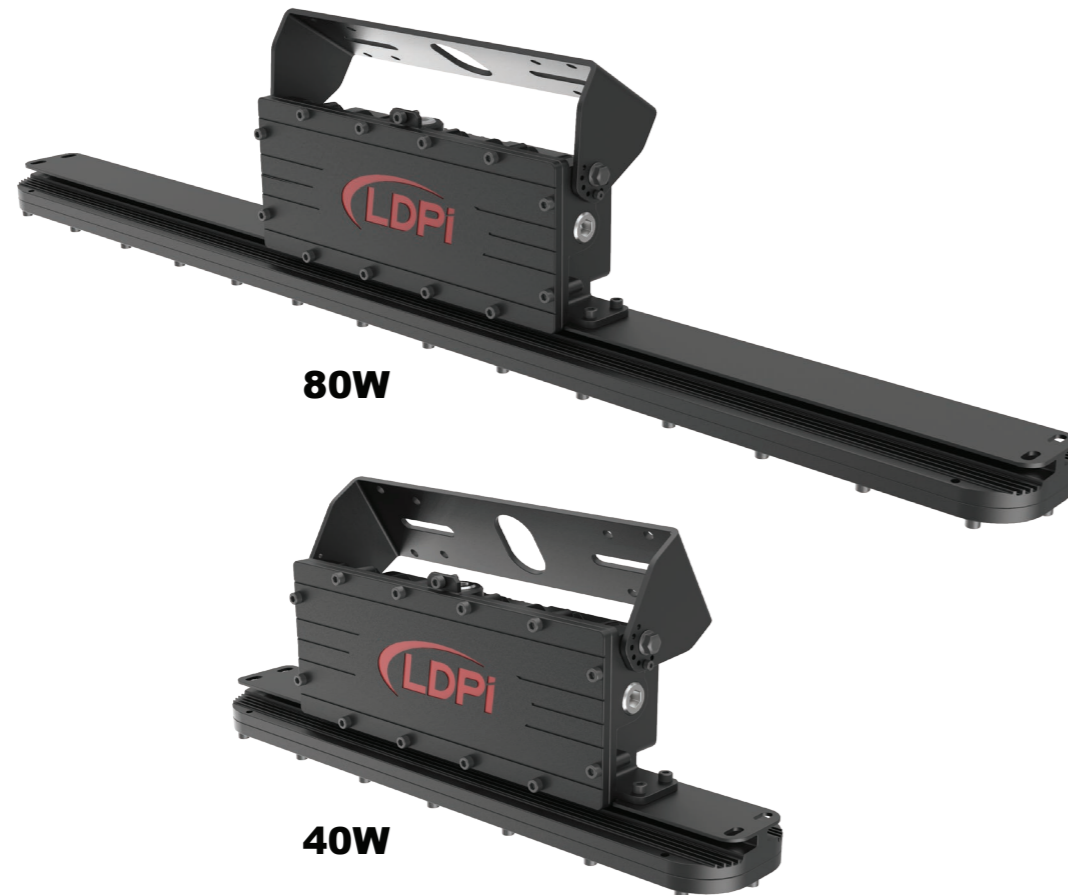


- To avoid personal injury, disconnect power to the fixture and allow it to cool down before performing maintenance.
- Perform visual, electrical, and mechanical inspections on a regular basis. The environment and frequency of use should determine this. However, it is recommended that checks should be made at least once a year.
- The external glass should be cleaned periodically to ensure continued performance. Clean the glass with a clean, damp, non-abrasive, lint-free cloth. If this is not sufficient, use a mild soap or a liquid cleaner. Do not use an abrasive, strong alkaline, or acid cleaner as damage may occur.
- Inspect the cooling fins on the fixture to ensure that they are free of any contamination (i.e. excessive dust build-up). Clean with a non-abrasive cloth if needed. Mechanically check to make sure all parts are properly assembled.
- Electrically check to make sure that all connections are clean and tight.



80W

40W



INSTALLATION, OPERATION AND MAINTENANCE INSTRUCTIONS

LEXS LED EXPLOSION PROOF LIGHTING FIXTURES

Class I Div. 1 (Grps C,D) / Class I Div. 2 (Grps A,B,C,D)
Suitable for locations having deposits of readily combustible paint residues
(Suitable for Class I, Division 1)

WARNING!

1. TO PREVENT THE RISK OF ELECTRICAL SHOCK DEACTIVATE/DISCONNECT THE POWER SUPPLY BEFORE INSTALLING THE FIXTURE.
2. THE DRIVER IN THIS FIXTURE IS DESIGNED TO OPERATE ON GROUNDED NEUTRAL SYSTEMS ONLY.
3. THIS FIXTURE SHOULD BE INSTALLED BY QUALIFIED TECHNICIANS IN STRICT ACCORDANCE WITH THE NATIONAL ELECTRICAL CODE AND ANY LOCAL REQUIREMENTS.

Operational Data

1. Operate this fixture at its rated voltage. Do not install where the marked operating temperature exceeds the ignition temperature of the hazardous atmospheres. See fixture label for data.
2. This fixture is intended to be connected to a properly installed and grounded UL listed junction box.

Housing

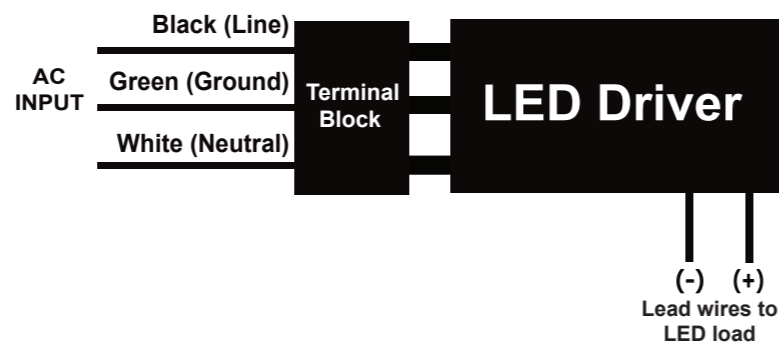
- Heavy-duty anodized die cast aluminum
- Long lasting and durable powder coat finish
- Over-voltage, and over-heat protection
- Excellent anti-corrosive property

General Wiring Diagram

CAUTION: Turn off electrical power at fuse or circuit breaker box before wiring fixture to the power supply.

Connecting panels to the AC source supply:
All fixtures must be individually connected to the AC supply.

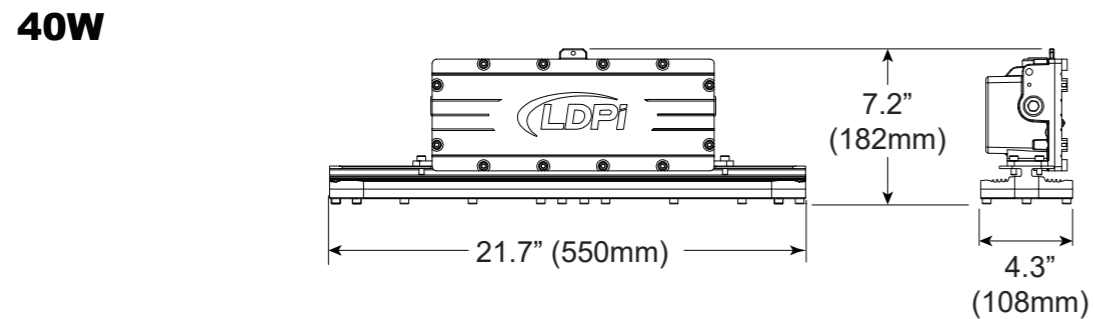
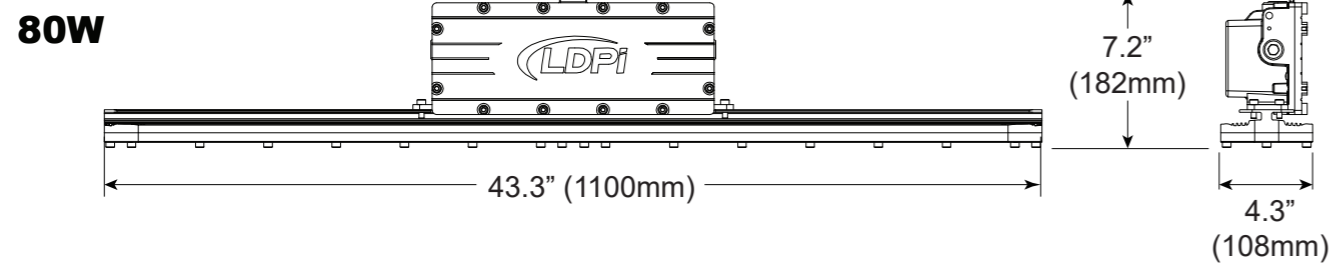
Black = Line
White = Neutral
Green = Ground



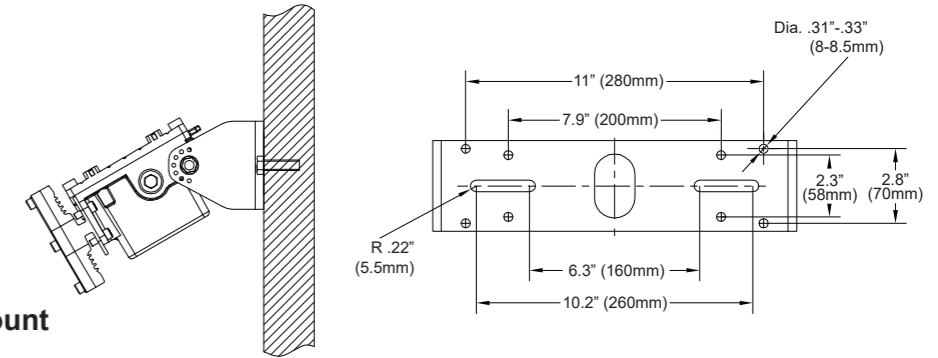
Electrical Connection

1. Loosen the (12) M6 socket head screws on the driver housing cover.
2. Connect suitable conduit to the desired location on the driver housing (3/4 NPT).
3. Feed wires through conduit into the driver housing and connect to terminal block.
4. Re-attach the driver housing cover with the (12) M6 socket head screws and torque to 7 N-m.

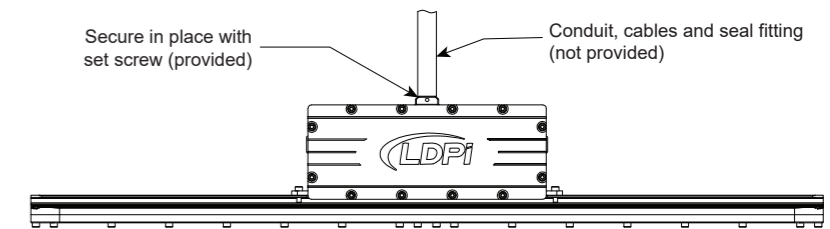
Product Dimensions



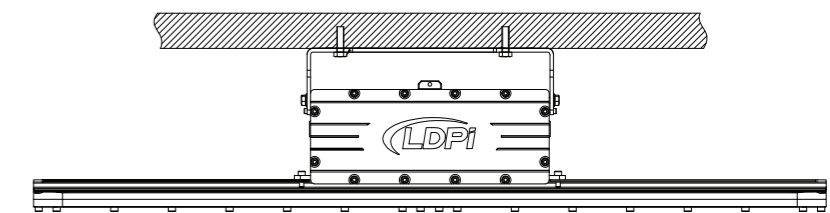
Not suitable for paint spray application unless aluminum hardware is used for all mounting options.
Aluminum hardware is required for paint spray application.



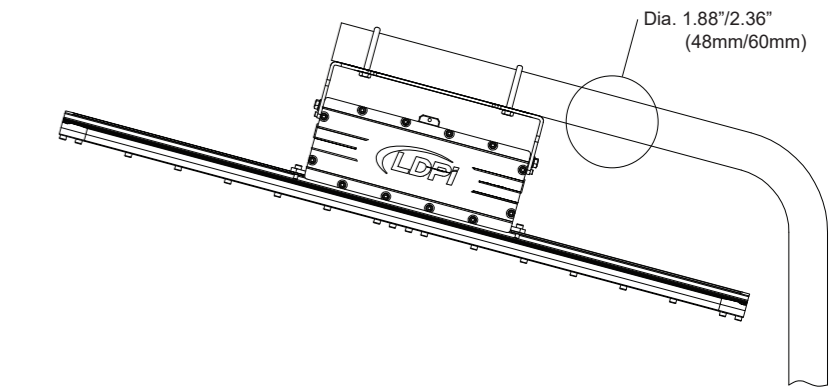
Wall Type Mount



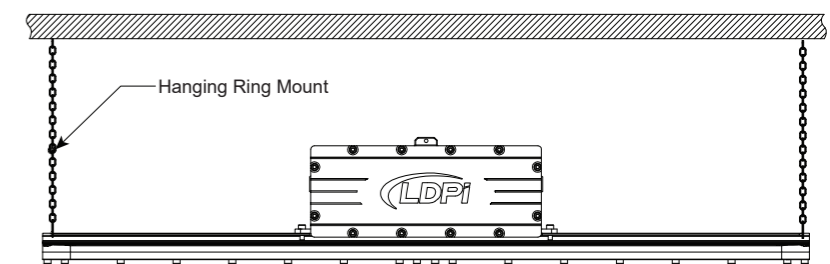
Pendant Mount



Ceiling Type Mount



Stanchion Mount



Hanging Ring Mount