



INSTALLATION, OPERATION AND MAINTENANCE INSTRUCTIONS

LE551 EXPLOSION PROOF LED LIGHT LUMINAIRES For use in Hazardous location settings

Hazardous Location:

Class I Div. 1, Groups C and D; Class I Div. 2, Groups A, B, C, D; Class II Div. 1, Groups E, F, G; Class II Div. 2, Groups F and G; Class III; Simultaneous Presence Class I and II; Class I, Zone 1, Group IIA, Class I Zone 1, Group IIB. Suitable for locations having deposits of readily combustible paint residues

WARNING!

1. TO PREVENT THE RISK OF ELECTRICAL SHOCK DEACTIVATE/DISCONNECT THE POWER SUPPLY BEFORE INSTALLING OR PERFORMING MAINTENANCE.
2. TO REDUCE RISK OF FIRE OR EXPLOSION, DO NOT INSTALL WHERE THE MARKED OPERATING TEMPERATURE EXCEEDS THE IGNITION TEMPERATURE OF THE HAZARDOUS ATMOSPHERE(S).
3. THIS LUMINAIRE SHOULD BE INSTALLED BY QUALIFIED TECHNICIANS IN STRICT ACCORDANCE WITH THE NATIONAL ELECTRICAL CODE AND ANY LOCAL REQUIREMENTS.

INSTALLATION

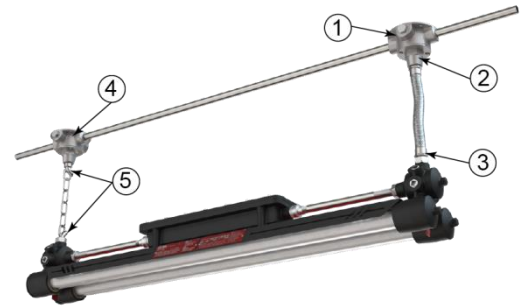
1. Before installing, make sure that the power supply is deactivated.
2. This unit is furnished completely assembled. Before installing, check the luminaire label to insure correct voltage and frequency.
3. The LED driver in this luminaire is designed to operate on grounded neutral systems only.
4. Typical Explosion-Proof Series luminaire installations are shown on page 2.
5. Install supply connections per NEC, Article 501, NFPA 70. Plug any unused openings.
-See schematics for additional wiring information.



TYPICAL EXPLOSION-PROOF INSTALLATIONS

Flexible mounting provides free swing and impact protection.

1. Splice Box/Luminaire Hanger
2. Flexible Pendant Hanger
3. Union
4. Rigid Support
5. Support Hook



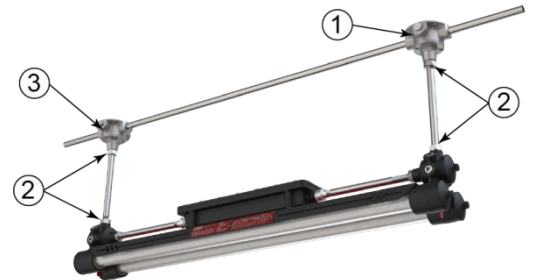
Swivel Mount

1. Splice Box/Luminaire Hanger
2. Swivel Hanger
3. Union
4. Rigid Support
5. Support Hook
6. Conduit Nipple



Rigid mounted

1. Splice Box/Luminaire Hanger
2. Union
3. Rigid Support



WALL/CEILING MOUNT KIT (2 and 3 LAMP)

Part Number: 4401
Includes 2 brackets
2 hex head pipe thread screws
1 safety cable and assorted screws.



WALL/CEILING MOUNT KIT (4 LAMP)

Part Number: 4400
Includes 2 brackets
4 hex head jam nuts.



DROP MOUNT KIT

2 and 3 Lamp P/N: 4405 4 Lamp P/N: 4403
Includes 2 brackets
4 1/2 NPT bolts
1 safety cable and hook.
Can be mounted several ways to fit application.



OPERATIONAL DATA

1. Operate this luminaire at its rated voltage. See luminaire label for data. Do not install where the marked operating temperature exceeds the ignition temperature of the hazardous atmospheres. See Temperature Code Plate on luminaire

MAINTENANCE

1. Although no routine maintenance is required to keep this luminaire functional, it should be checked periodically to ensure that it is working properly, and to look for any external damage.
2. For optimum performance, keep light transmission parts of the luminaire clean. Any commercial glass cleaner can be used to clean the glass tubes.
3. Install new LED array: disconnect supply circuit. Remove the cover on either side of the luminaire. Remove screws from front of LED array, remove nut from back of LED array. Location disk on end of led array does not get removed (shown below). Remove led array. Insert new LED array as shown and tighten screws. Replace end covers.



4. An optional Stainless Steel Wire Guard, Polycarbonate Shield or both can be installed on either luminaire to protect PYREX glass tubes.

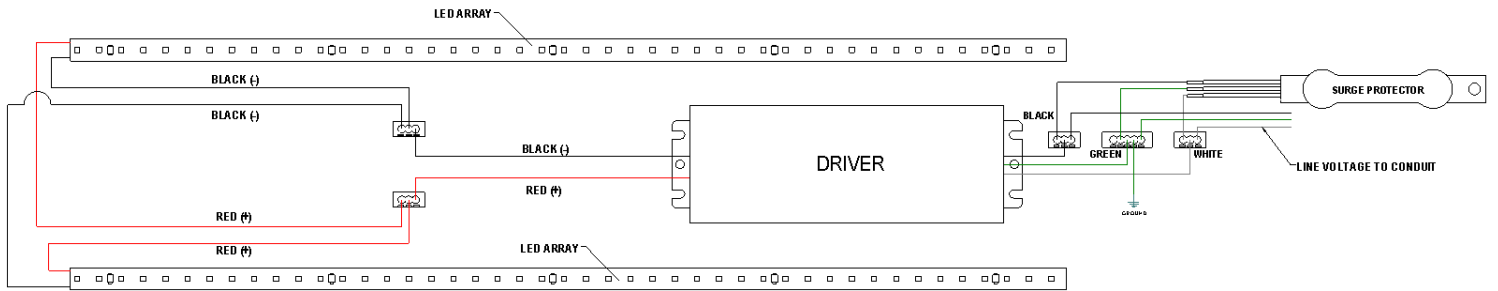
WIRE GUARD: 2 FT. P/N: 4466
4 FT. P/N: 4211

POLYCARBONATE SHIELD: 2 FT. P/N: 4464
4 FT. P/N: 4209

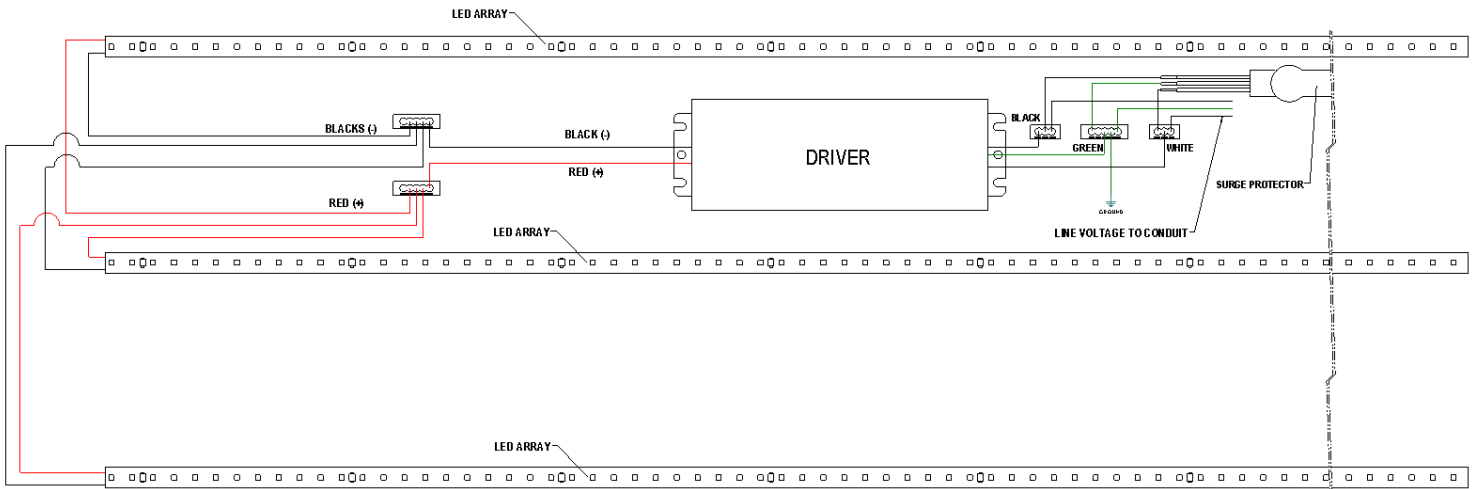
5. In the event of PYREX glass tube breakage, it will be necessary to replace the damaged unit with the factory sealed housing assembly, in order to maintain the integrity of the luminaire. See the luminaire parts list for ordering.

6. Driver failure - CONTACT LDPI - Driver must come from LDPI factory. Schematics for replacing drivers below

2 Row - Generic

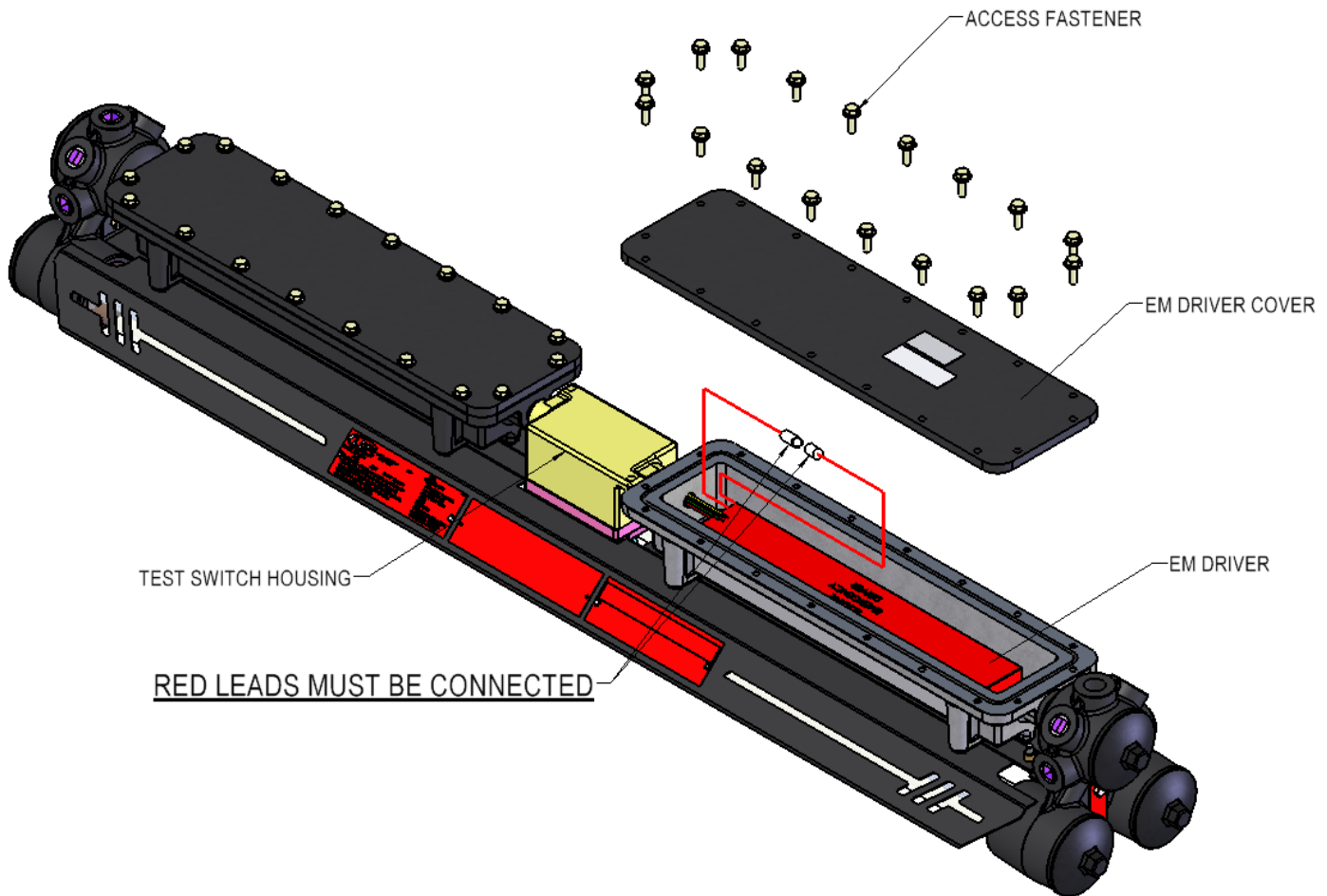


3 Row - Generic

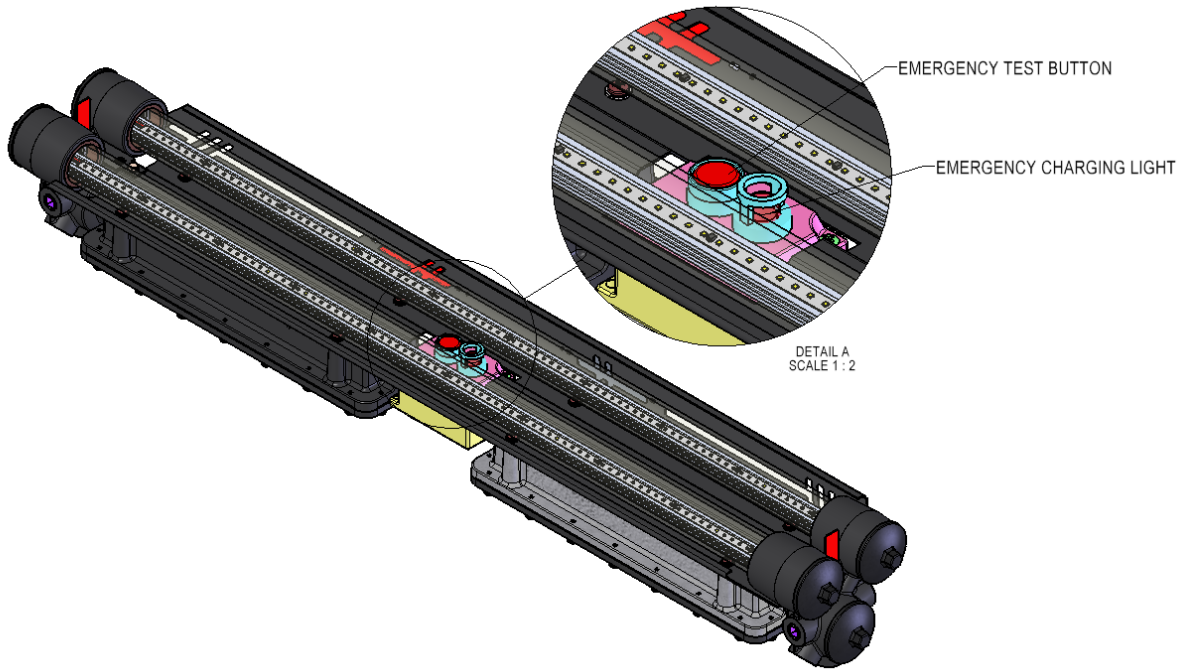


EMERGENCY FIXTURE INSTALLATION: Red leads of emergency driver **MUST** be connected.

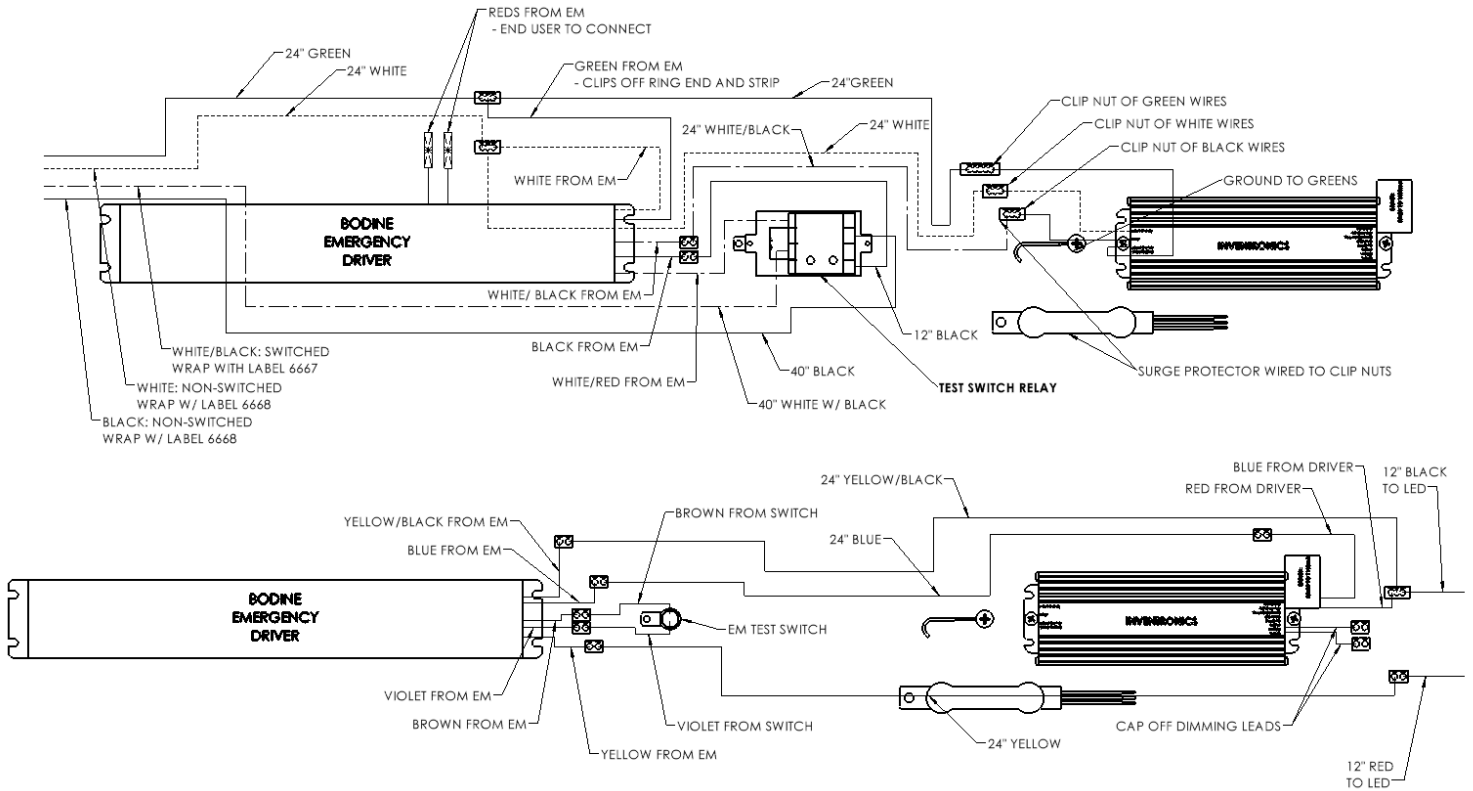
1. Remove access fasteners that secure the emergency driver cover.
2. Remove emergency driver cover.
3. Connect red leads of emergency driver, there is a small plastic quick connect on both red leads – This **MUST** be done to ensure proper function of the emergency driver.
4. Replace the cover and fasteners.
5. Do not over tighten.
6. Emergency battery back up will take min 24 hours to charge and function properly.



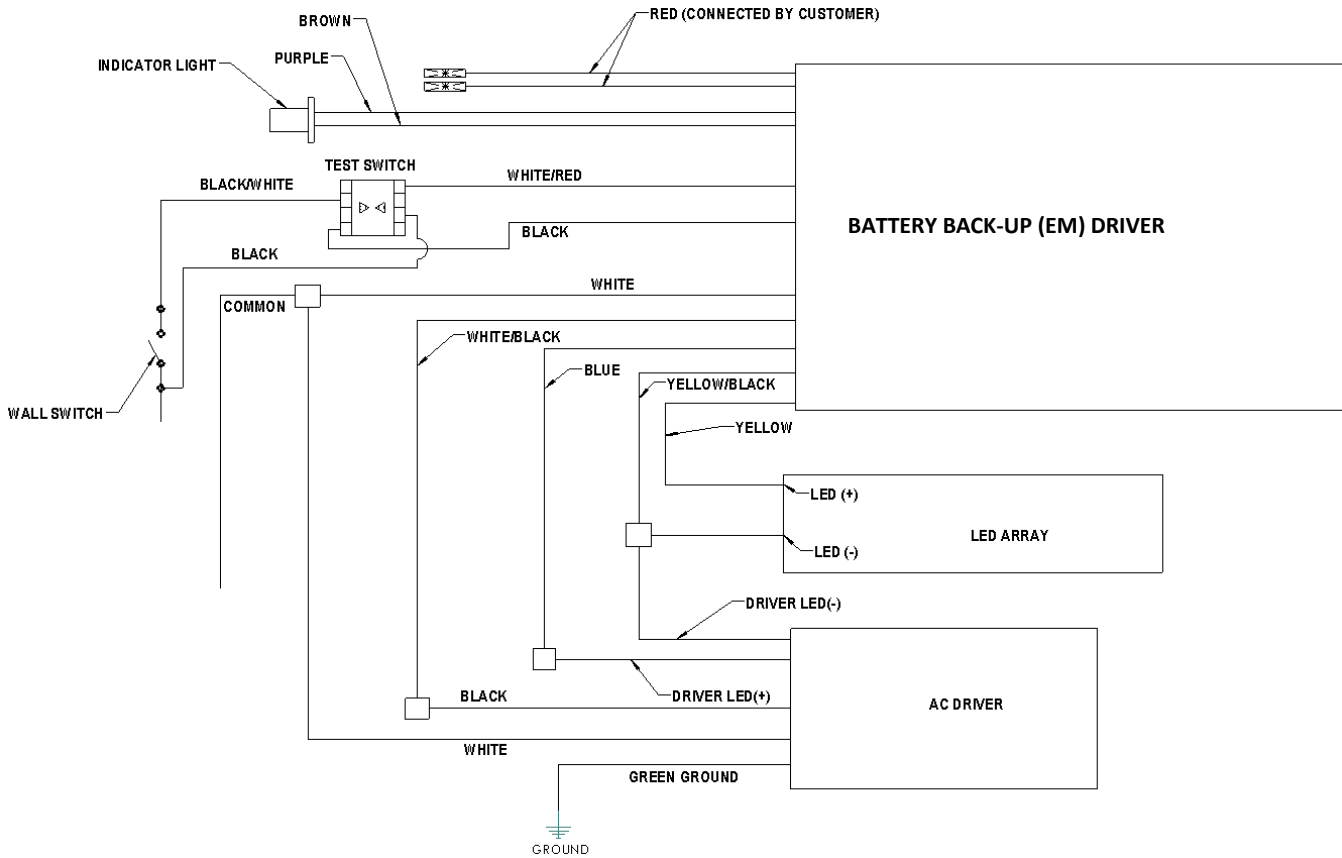
EMERGENCY FIXTURE TEST SWITCH LOCATION:



Battery Back-up (EM) Schematic – LE551 2 ROW



Battery Back-up (EM) Schematic - Generic



LDPI, Inc.
 4404 Anderson Drive
 Eau Claire, WI 54703
 TOLL FREE
 1-800-854-0021
 Web: www.ldpi-inc.com
 E-mail: sales@ldpi-inc.com