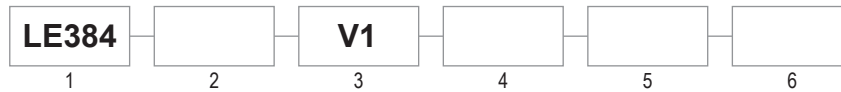


Meets all Coast Guard specifications. Streamlined design provides eye appeal and ruggedness. Designed to withstand strong vibration. T4 (135° C) operating code. Adjustable mounting brackets included. Available with optional emergency battery backup (90min.)



Shown with diffused lens



1 SERIES	2 SOURCE	3 VOLTAGE	4 CCT	5 LENS	6 OPTIONS
LE384	L1: 2 Ft. 34W L2: 4 Ft. 67W	V1: 120-277VAC (50/60Hz)	4: 4,000K 5: 5,000K	BLANK: None 120° D: Diffused 120°	Blank: None EM: Battery Backup (90min.) UL924

CERTIFICATIONS

UL 844 / CSA 22.2 No.137.0 (Hazardous Location)
 Cl D2, Grps A,B,C,D
 T-Codes: Cl D2=T4
 UL 1598 / CSA 22.2 No.250 (Wet / Damp)
 UL 1598A Marine Outside (Marine)
 Lumen Maintenance (L70) 54,000 hrs. (reported)
 CRI>80
 -30°C to 40°C Ambient

CONSTRUCTION

Corrosion resistant, copper free aluminum
 1/8" Clear acrylic, heat and shatter resistant protective lens.
 Zinc plated latches
 3/4" NPT hubs
 Neoprene gasket
 Weights: 2 Ft: (23lbs.) 4Ft: (32lbs.)

ELECTRICAL

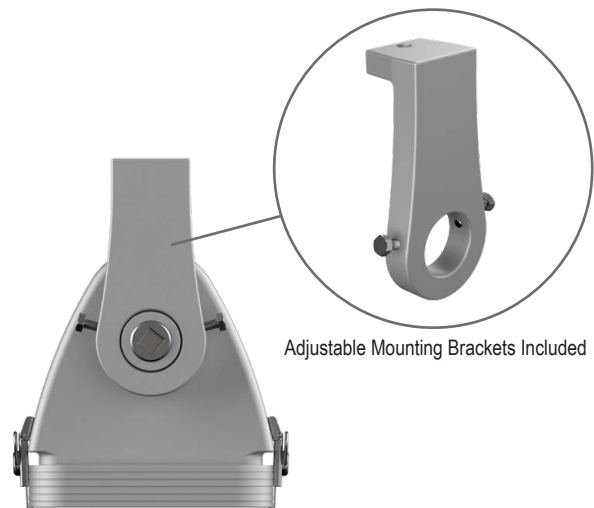
120-277VAC

FEATURES

Adjustable mounting brackets (included)
 Optional Emergency Battery Backup (90min.)
 5 Year Warranty

PERFORMANCE

Source	Voltage (VAC) 50/60Hz	Input Current (A)	Wattage (W)	CCT	Lumens* (Lm)	
					Blank	Diffused
L1	120-277	.28 - .12	34	4,000K	3810	3210
				5,000K	3900	3300
L2		4,000K	7620	6220		
		5,000K	7800	6400		
*Nominal values						



Adjustable Mounting Brackets Included

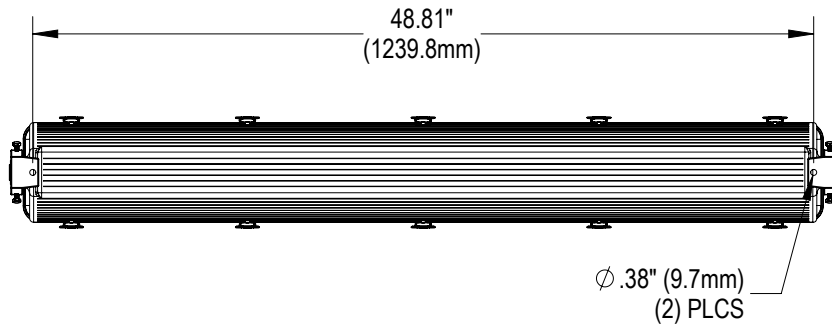
LE384

HAZARDOUS LIGHTING

Oil/Gas • Pulp/Paper • Shipyards/Marine • Water Treatment • Drill Rigs • Offshore Platforms



DIMENSIONS



Nominal Dimensions (in./mm)		
Source	A	B
L1 (2Ft.)	27.6" / 700mm	26.0" / 660mm
L2 (4Ft.)	51.6" / 1310mm	50.0" / 1270mm

