

The LEXF is designed and listed for **CI D1** explosion, hazardous, marine and wet locations. This product is ideal for retrofitting High Pressure Sodium (HPS) and Metal Halide (MH) fixtures for increased energy savings and maintenance.



Inquire for specific DLC qualifying configurations



| 1 SERIES | 2 SOURCE | 3 VOLTAGE | 4 CCT | 5 OPTICS / BEAM | 6 LENS |
|--|---------------------------------|--|------------------------|------------------------------------|----------|
| LEXF | L1: 80W L2: 100W L3: 150W | V1: 120-277VAC (50/60Hz) V2: 347-480VAC (50/60Hz) | 4: 4,000K 5: 5,000K | V25: 25° V60: 60° V120: 120° | C: Clear |
| Note: Product comes standard with: (3) 3/4" NPT Hubs: pendent and two sides hubs, and a yoke bracket pre-installed 10Kv Surge Protector built in 3 Ft. 3-Wire whip, factory installed | | | | | |

CERTIFICATIONS

UL844 / CSA C22.2 No.137 (Hazardous)
 CI D1, Grps C,D
 CI D2, Grps A,B,C,D
 CII D2, Grps F,G
 CIII
 Simultaneous Presence
 Paint Spray Listed
 T-Codes: CI D1=T6 / CI D2=T4A / CII D2=T4A
 UL1598 (Wet/Damp)
 UL1598A (Marine Outside)
 DLC (inquire for specific part numbers)
 Lumen Maintenance (L70) >50,000 hrs. (reported)
 CRI >70
 -40°C to 60°C Ambient
 RH Ambient Humidity 5% to 95%
 NEMA 3 and NEMA 4X
 IP66
 FCC

CONSTRUCTION

Copper-free aluminum housing and yoke
 Tempered glass lens
 Powder coat black
 (3) 3/4" NPT Hubs
 All exposed fasteners are stainless steel
 Weight: 34 lbs.

ELECTRICAL

120-277 / 347-480VAC
 10Kv surge protector built in - Standard
 3Ft. 3-Wire whip standard, factory installed

FEATURES

High Lumen output up to 130 Lm/W
 Shock and Vibration resistant
 Thermal Shock and impact resistant lens
 Mounting: Wall (Flood), Stanchion, Ceiling, and Pendent
 Light weight compact design
 5 Year Warranty

PERFORMANCE

| Source | Voltage (VAC) 50/60Hz | Input Current (A) | Wattage (W) | CCT | Lumens* (Lm) |
|--------|--------------------------|-------------------------|----------------|--------|--------------|
| L1 | 120-277 | .67 - .29 | 80 | 4,000K | 9720 |
| | 347-480 | .23 - .17 | | 5,000K | 10290 |
| L2 | 120-277 | .83 - .36 | 100 | 4,000K | 11760 |
| | 347-480 | .29 - .21 | | 5,000K | 12280 |
| L3 | 120-277 | 1.25 - .54 | 150 | 4,000K | 18360 |
| | 347-480 | .43 - .31 | | 5,000K | 18650 |

*Nominal values

LEXF

EXPLOSION PROOF

Chemical Processing • Grain Processing • Metals & Mining • Oil / Gas • Water Treatment



ACCESSORIES - (Field Installed, Order Separately)

| Part Number | Description | |
|-------------|--|--|
| WG01 | Wire Guard Stainless Steel 304 (not suitable for use in paint spray applications) | |
| SN01-BK | Slip Fitter Mount Bracket (Powder Coated Black) Fits 2 3/8" (60mm) Outside Diameter Stanchion | |

SUGGESTED MOUNTING



Wall / Flood



Ceiling (shown with wire guard)
(#WG01 ordered separately)



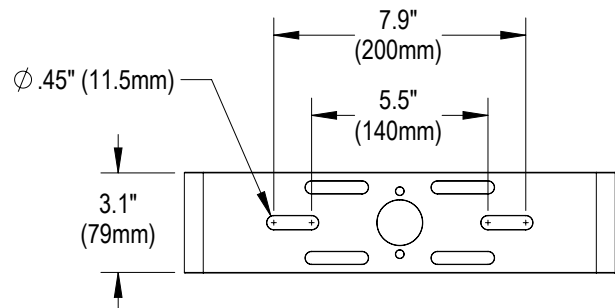
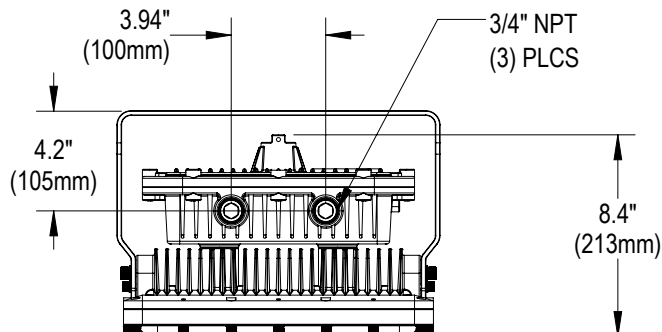
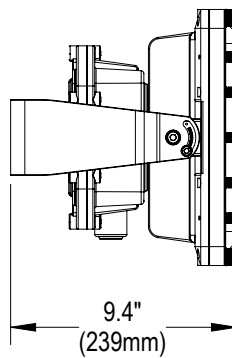
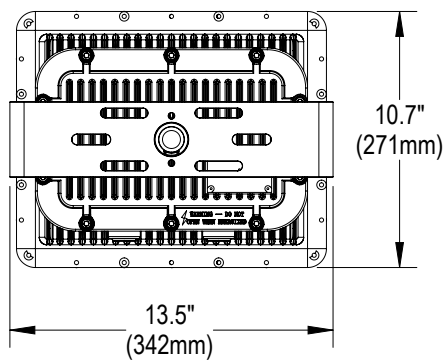
Pendent*

*Conduit and stanchion shown for illustration purposes only



Stanchion*
(#SN01-BK ordered separately)

DIMENSIONS



1-800-854-0021 www.ldpi-inc.com
LDPI® is a registered trademark of LDPI, Inc. © LDPI, Inc.

Product design and specifications subject to change without notice.
Visit www.ldpi-inc.com for the most current version and photometric data. v.05.28.21