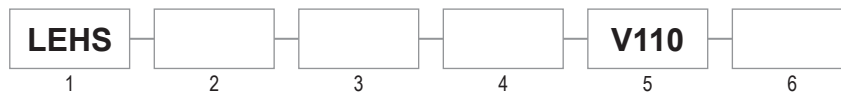


The LEHS is designed and listed for hazardous, marine, and wet locations. This product is ideal for replacing High Pressure Sodium (HPS) and Metal Halide (MH) fixtures for increased energy savings and maintenance.



LEHS 80W



1 SERIES	2 SOURCE	3 VOLTAGE	4 CCT	5 OPTIC / BEAM	6 LENS	
LEHS	L1: 2Ft. / 40W L2: 4Ft. / 80W	V1: 120-277VAC (50/60Hz) V2: 347-480VAC (50/60Hz)	4: 4,000K 5: 5,000K	V110: 110° TYPE V	C: Clear D: Diffused	Product comes standard with Yoke bracket pre-installed (3) 3/4" NPT Hubs 10Kv surge protector built-in 3Ft. 3-Wire whip, factory installed

### CERTIFICATIONS

UL844 / CSA-C22.2 No.137 (Hazardous)  
 CI D2, Grps A, B, C, D  
 CII D1, Grps E, F, G  
 CII D2, Grps F, G  
 CIII D1  
 Simultaneous Presence  
 T-Code: CI D2=T3C / CII D1=T4A  
 UL1598 / CSA-C22.2 No.250 (Wet/Damp)  
 UL1598A (Marine Outside)  
 DLC (inquire for specific part numbers)  
 Lumen Maintenance (L70) >54,000 hrs. (reported)  
 CRI >70  
 -40°C to 50°C Ambient  
 RH Ambient Humidity 5% to 95%  
 IP66  
 FCC

### PERFORMANCE

Source	Voltage (VAC) 50/60Hz	Input Current (A)	Wattage (W)	CCT	Lumen Output* (Lm)	
					Clear Lens	Diffused Lens
L1	120-277	.33 - .14	40	4,000K	5590	4850
	347-480	.11 - .08		5,000K	6180	5270
L2	120-277	.67 - .29	80	4,000K	11350	9590
	347-480	.23 - .16		5,000K	11490	9930

\* Nominal values

### CONSTRUCTION

Copper-free aluminum  
 Powder coat gray  
 All exposed fasteners are stainless steel  
 Polycarbonate lens  
 Light weight compact design  
 (3) 3/4" NPT hub locations  
 Weights: 2Ft.-14 lbs. / 4Ft.-19 lbs.

### ELECTRICAL

120-277 / 347-480VAC  
 10Kv surge protector built in - Standard  
 3Ft. 3-Wire whip standard, factory installed

### FEATURES

High lumen output up to 137 Lm/W  
 Shock and vibration resistant  
 Thermal shock and impact resistant lens  
 Mounting: Pole, Pendant, Wall/Flood, Ceiling, Cable  
 30° Yoke Adjustments (180° total)  
 5 Year Warranty



Clear Lens



Diffused Lens

# LEHS

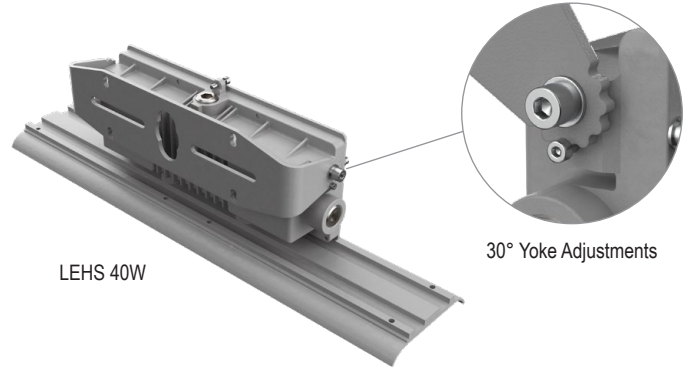
## HAZARDOUS LOCATION

Chemical Processing • Industrial • Oil / Gas • Shipyards / Marine • Water Treatment

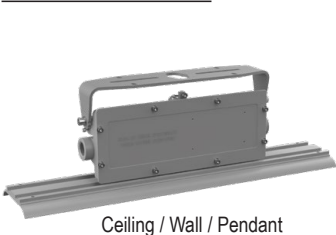


### ACCESSORIES - (Field Installed, Order Separately)

Part Number	Description	
PC01	Pole Mount Pipe Clamp Kit Stainless Steel 1-7/8" Dia. Includes: 2 Clamps	
PC02	Pole Mount Pipe Clamp Kit Stainless Steel 2-3/8" Dia. Includes: 2 Clamps	
EB01	End Bracket Cable Mount Kit 39.4" of adjustable length Stainless Steel Includes: 2 Cable Assemblies	



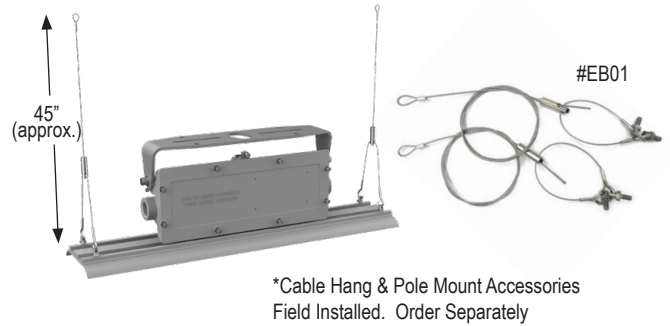
### SUGGESTED MOUNTING



Ceiling / Wall / Pendant



Pole\*



Cable\*

### DIMENSIONS

