



INSTALLATION, OPERATION AND MAINTENANCE INSTRUCTIONS

LCM-1A24 0-10V DIMMING AMPLIFIER

IMPORTANT SAFEGUARDS READ AND FOLLOW ALL SAFETY INSTRUCTIONS BEFORE INSTALLING THIS AMPLIFIER

- This amplifier should be installed by qualified technicians in strict accordance with the National Electrical Code and any local requirements.
- To maximize longevity of the amplifier, do not mount near heat sources.
- The use of accessory equipment not recommended by the manufacturer may cause an unsafe condition and/or void warranty.
- This amplifier is designed for general lighting purposes. Do not use amplifier for other than intended use.

SAVE THESE INSTRUCTIONS

INSTALLATION NOTES

1. To prevent the risk of electrical shock, deactivate/disconnect the power supply before installing or servicing this amplifier.
2. Before installing, check the amplifier label to ensure correct voltage and frequency.
3. Refer to the following pages for typical amplifier mounting. Mounting hardware is not supplied.

MAINTENANCE DATA

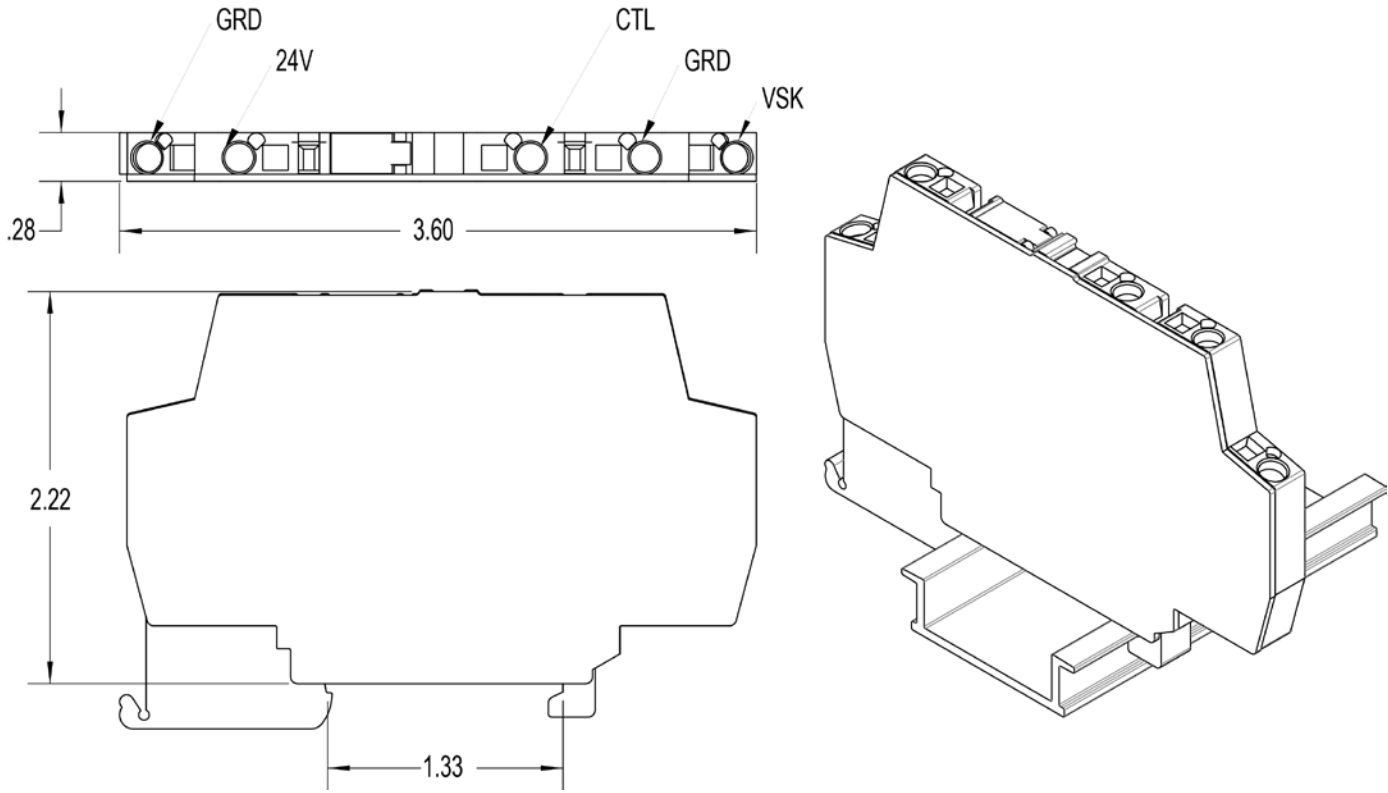
Although no routine maintenance is required to keep this amplifier functional, it should be checked periodically to ensure that it is functioning properly, and to inspect for external damage.

For optimal performance and longevity, keep the wire ports, clamp openings, and switch hatch clean and clear of debris. Refer to the following guide for recommended cleaning methods.

- Debris clearing: Using a can of pressurized air, spray short bursts of air into each wire port, clamp opening, and the opened switch hatch. Do not spray the device for extended periods as it may damage components or solder joints. If necessary, remove the device from its mount and, using a flat-head screw driver or finger, remove the unmarked side panel of the device before spraying. When finished, reattach the side panel before replacing the device on the mount.

In the event of housing breakage, it will be necessary to replace the entire amplifier. Contact the factory for replacement details.

LCM-1A SERIES DIMENSIONS



TYPICAL MOUNTING **INSTALLATION**



Fig. 1 – Attach the hook to the DIN rail and press straight down until device is secure.

REMOVAL



Fig. 2 – Using a small, flat-head screwdriver, apply force to the latch away from the rail



Fig. 3 – Continue pulling away and up until the latch arm has cleared the rail

WIRE INSTALLATION



Fig 4 – Amplifier device, not mounted. Unwired

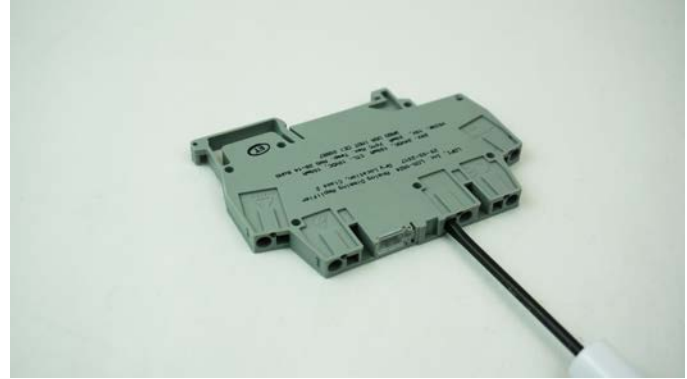


Fig 5 – Using a small, flat-head screwdriver, apply pressure to the square access hole sufficient to open the clamping mechanism.



Fig 6 – Once open, keep the screwdriver inserted to keep the wire clamp open and insert the end of a wire, stripped to the length specified by the device's datasheet, into the neighboring circular access hole.



Fig 7 – Remove the screwdriver from the square access hole and lightly tug the wire to ensure proper installation.

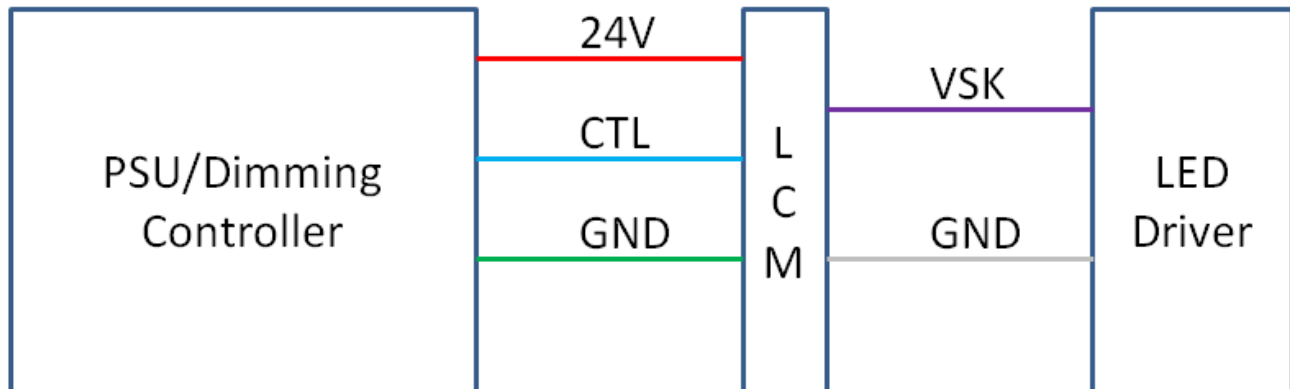


Fig 8 – A wiring diagram of the LCM-1A24 amplifier within a general control panel system.

LED Module Access/Replacement:

1. Deactivate/disconnect the 24V power supply from the supply circuit using a screw driver as shown in figures 4-7.
2. Deactivate/disconnect the CTL 0-10V control supply.
3. Deactivate the connected light fixture, then disconnect the purple and grey (VSINK and GND, resp.) wires from the amplifier.
4. Disconnect any remaining wires from the amplifier.
5. Remove device from 35mm DIN rail as shown in figures 2-3.