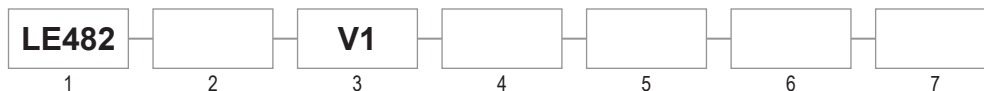


The LE482 Series is a hinged, **REAR ACCESS**, recessed mount, LED paint booth luminaire. The LE482 is made of a combination of 20 gauge cold rolled steel and .090 aluminum. This LED fixture is available in 4 Ft. lengths with 1, 2, or 3 rows of LEDs; replacing your standard 2, 4, and 6 lamp fluorescent fixture. This fixture can be used with or without optics, has dimming capabilities, and is available with an EM option.



Inquire for specific DLC qualified configurations



1 SERIES	2 SOURCE	3 VOLTAGE	4 OPTICS / LENS	5 DIMMING	6 CCT	7 OPTIONS
LE482	58: 58W / 1 Row 73: 73W / 1 Row 115: 115W / 2 Rows 145: 145W / 2 Rows 172: 172W / 3 Rows 218: 218W / 3 Rows	V1: 120-277VAC (50/60Hz)	Blank: None A: Diffused Acrylic	Blank: None D1: 0-10V	3: 3,500K 4: 4,000K 5: 5,000K	SP: Surge Protector (430 joules) EM: Battery/Driver Backup (90min.)

CERTIFICATIONS

UL844 / CSA-C22.2 No.137 (Hazardous)
 CI D2, Grps A,B,C,D
 CII D2, Grps F,G
 Paint Spray Listed
 T Code: CI D2, CII D2=T3C (T3C w/ EM option)
 UL1598 / CSA-C22.2 No.250 (Wet/Damp)
 DLC (inquire for specific part numbers)
 Lumen Maintenance (L70) >54,000 hrs. (reported)
 CRI >80
 -30°C to 55°C Ambient

CONSTRUCTION

20 gauge white powder coated steel housing
 Hinged, rear access panel
 Silicone free gaskets
 Acrylic diffused lens (optional)
 4 Ft. length (nominal)
 Clear tempered glass panel
 1/2" NPT Hub(s)
 Weights: Min: 47lbs. / Max: 71lbs.

ELECTRICAL

120-277VAC
 8Ft. 5-wire whip (standard)

FEATURES

0-10V Dimming
 Recess mount - Rear access
 Withstands up to 71°C bake cycle for 90 minutes with fixture power interlock off
 Emergency/Battery backup option available
 Fits the same opening as Slim Light Series
 5 year warranty

PERFORMANCE

Source	Voltage (VAC) 50/60Hz	Input Current (A)	Wattage (W)	CCT	Lumen Output* (Lm)	
					No Lens	Diffused Lens
58 (1 Row)	120-277	.49-.22	58	3,500K	6780	5470
				4,000K	6990	5640
				5,000K	6990	5640
73 (1 Row)	120-277	.61-.28	73	3,500K	8440	6820
				4,000K	8700	7030
				5,000K	8700	7030
115 (2 Rows)	120-277	.97-.44	115	3,500K	13550	10940
				4,000K	13970	11280
				5,000K	13970	11280
145 (2 Rows)	120-277	1.22-.55	145	3,500K	16880	13630
				4,000K	17400	14050
				5,000K	17400	14050
172 (3 Rows)	120-277	1.45-.65	172	3,500K	20330	16410
				4,000K	20960	16920
				5,000K	20960	16920
218 (3 Rows)	120-277	1.84-.83	218	3,500K	25320	20440
				4,000K	26100	21080
				5,000K	26100	21080

*Nominal values

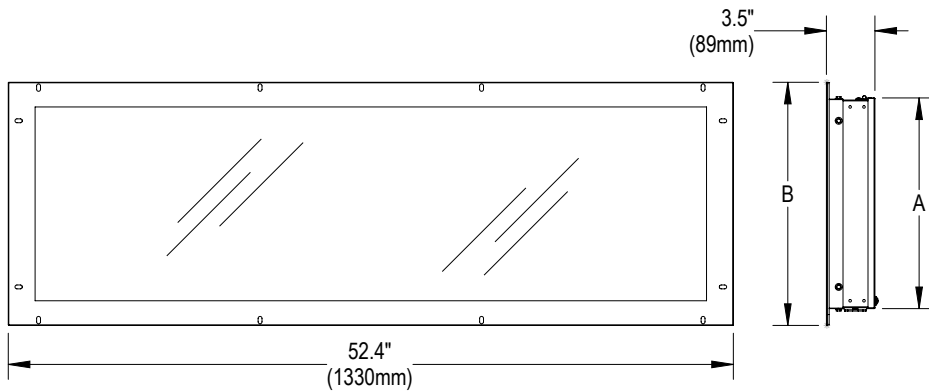
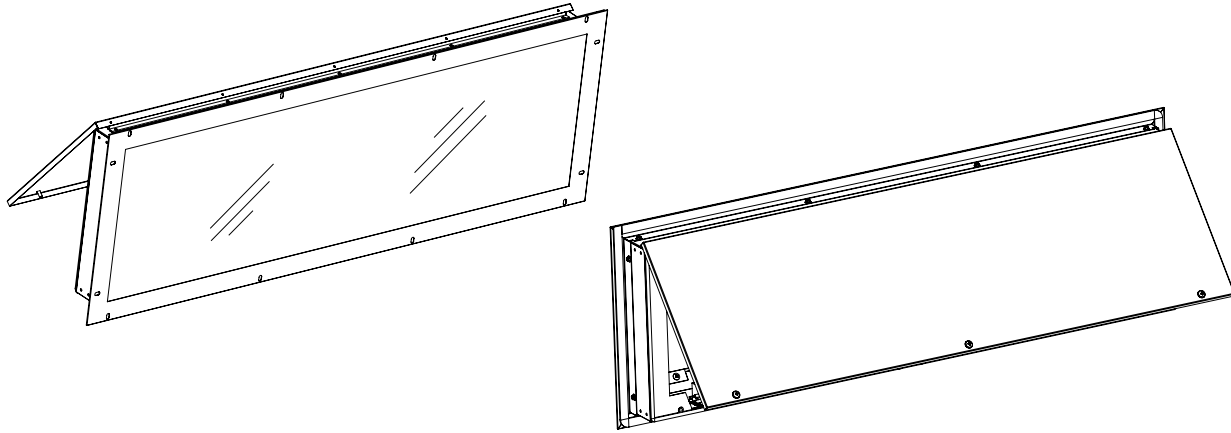
LE482

LED BOOTH LIGHTING - REAR ACCESS

Paint and Powder Booths • Blast Booths • Clean Rooms • Prep • Sanding

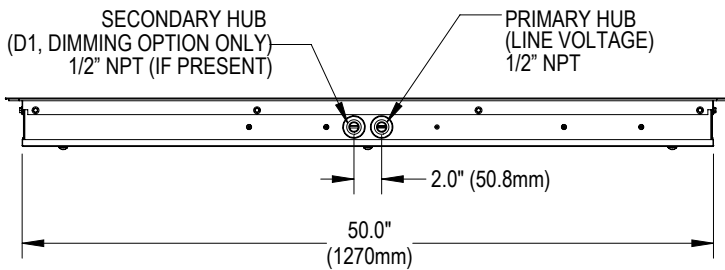


DIMENSIONS



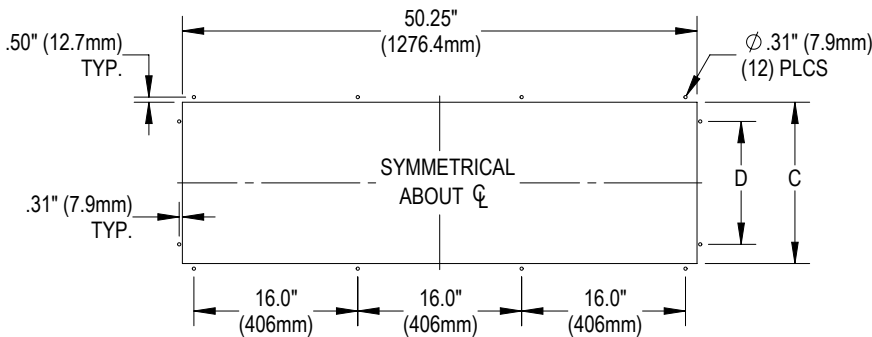
Source	Dimensions* (in./mm)	
	A	B
58 (1 Row)	9.5" / 241	13.0" / 330
73 (1 Row)		
115 (2 Rows)	14.50" / 368	18.0" / 457
145 (2 Rows)		
172 (3 Rows)	19.50" / 495	23.0" / 584
218 (3 Rows)		

* Nominal dimensions



Consult factory for custom hub locations

PANEL CUTOUT DIMENSIONS



Source	Dimensions* (in./mm)	
	C	D
58 (1 Row)	10.75" / 273	7.0" / 178
73 (1 Row)		
115 (2 Rows)	15.75" / 400	12.0" / 305
145 (2 Rows)		
172 (3 Rows)	20.75" / 527	17.0" / 432
218 (3 Rows)		

* Actual dimensions



1-800-854-0021 www.ldpi-inc.com
LDPI® is a registered trademark of LDPI, Inc. © LDPI, Inc.

Product design and specifications subject to change without notice.
Visit www.ldpi-inc.com for the most current version and photometric data. v.03.22.21