

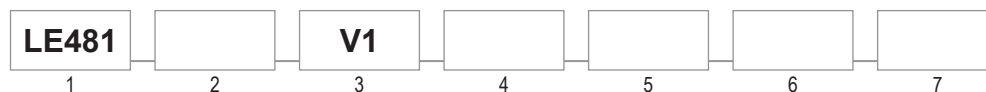


# LE481

## LED BOOTH LIGHTING - FRONT ACCESS

Paint and Powder Booths • Blast Booths • Clean Rooms • Prep • Sanding

The LE481 Series is a hinged, **front access**, recessed mount, LED paint booth luminaire. The LE481 is made of a combination of 20 gauge cold rolled steel and .090 aluminum. This LED fixture is available in 4 Ft. lengths with 1, 2, or 3 rows of LED's; replacing your standard 2, 4, and 6 lamp fluorescent fixture. This fixture can be used with or without optics, has dimming capabilities, and is available with an EM option.



1 SERIES	2 SOURCE	3 VOLTAGE	4 OPTIC	5 DIMMING	6 CCT	7 OPTIONS
<b>LE481</b>	58: 58W / 1 Row 73: 73W / 1 Row 115: 115W / 2 Rows 145: 145W / 2 Rows 172: 172W / 3 Rows 218: 218W / 3 Rows	<b>V1:</b> 120-277VAC (50/60Hz)	<b>Blank:</b> None <b>A:</b> Diffused Acrylic	<b>Blank:</b> None <b>D1:</b> 0-10V	3: 3,500K 4: 4,000K 5: 5,000K	<b>SP:</b> Surge Protector (430 joules) <b>EM:</b> Battery/Driver Backup (90min.)

### CERTIFICATIONS

UL844 / CSA-C22.2 No.137 (Hazardous)  
 CI D2, Grps A,B,C,D  
 CII D2, Grps F,G  
 Paint Spray Listed  
 T Code: CI D2, CII D2=T5 (T6 w/ EM option)  
 UL1598 / CSA-C22.2 No.250 (Wet/Damp)  
 Lumen Maintenance (L70) > 54,000 hrs. (reported)  
 CRI >80  
 -30°C to 55°C Ambient

### CONSTRUCTION

20 gauge white powder coated steel housing  
 Hinged, inside (front) access panel  
 Silicone free gaskets  
 4 Ft. length (nominal)  
 Clear tempered glass panel  
 Acrylic diffused lens (optional)  
 1/2" NPT Hub(s)  
 Weights: Min: 42lbs. / Max: 68lbs.

### ELECTRICAL

120-277VAC  
 8Ft. 3-wire whip (standard)

### FEATURES

0-10V Dimming  
 Recess mount - Front access  
 Withstands up to 71°C bake cycle for 90 minutes with fixture power interlock off  
 Emergency/Battery backup option available  
 Fits the same opening as Slim Light Series  
 5 year warranty

\*These products are Manufactured in the USA with both domestic and imported components; not all fixture configurations are compliant. Contact LDPI Sales with specific part number and requirement - Build America, Buy America, TAA or any other federal procurement act for compliance confirmation. Compliance confirmation can take up to 3 days.

### PERFORMANCE

Source	Voltage (VAC) 50/60Hz	Input Current (A)	Wattage (W)	CCT	Lumen Output* (Lm)	
					No Lens	Diffused Lens
58 (1 Row)	120-277	.49-.22	58	3,500K	6780	5470
				4,000K	6990	5640
				5,000K	6990	5640
73 (1 Row)		.61-.28	73	3,500K	8440	6820
				4,000K	8700	7030
				5,000K	8700	7030
115 (2 Rows)		.97-.44	115	3,500K	13550	10940
				4,000K	13970	11280
				5,000K	13970	11280
145 (2 Rows)	1.22-.55	145	3,500K	16880	13630	
			4,000K	17400	14050	
			5,000K	17400	14050	
172 (3 Rows)	1.45-.65	172	3,500K	20330	16410	
			4,000K	20960	16920	
			5,000K	20960	16920	
218 (3 Rows)	1.84-.83	218	3,500K	25320	20440	
			4,000K	26100	21080	
			5,000K	26100	21080	
<b>Emergency Lumen Output</b>					*Nominal values	
Diffused Lens					2150	
No Lens					2470	



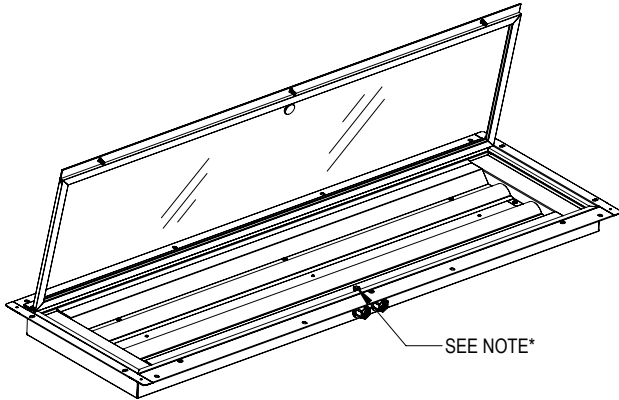
# LE481

## LED BOOTH LIGHTING - FRONT ACCESS

Paint and Powder Booths • Blast Booths • Clean Rooms • Prep • Sanding



### DIMENSIONS



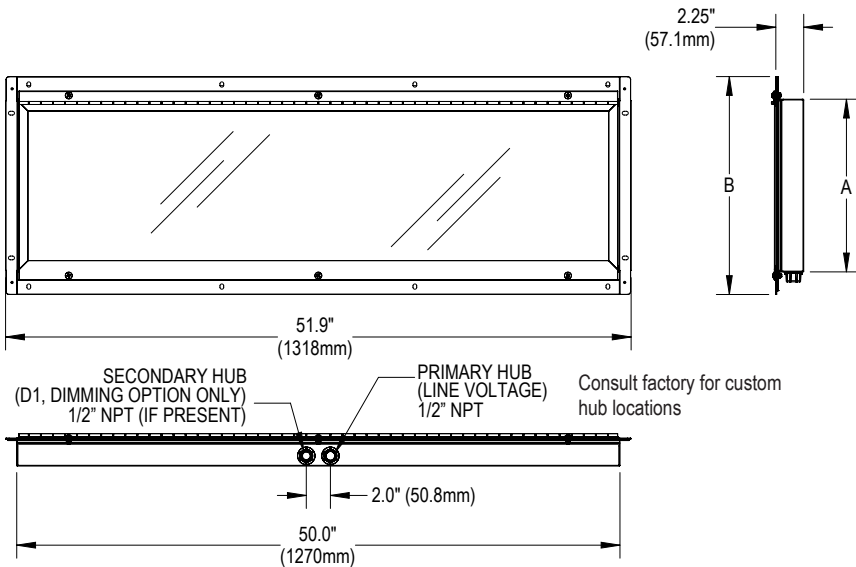
#### \*NOTE

Normally open magnetic switches are intended to be used to trigger a relay (furnished by others) which disables the paint system. Because of the small capacity of the switch a solid state relay is recommended. It may be desired by others to utilize a separate power supply to segregate the relay (furnished by others) from the lighting power supply. The magnetic switch IS NOT designed to directly control light operation! The magnetic switch is rated for 10 watts resistive at a maximum of 300 VAC.



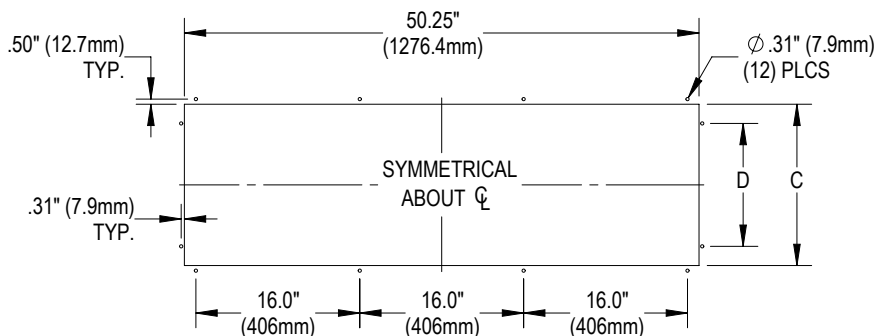
#### CAUTION

Overloading the switch circuits WILL cause failure. LDPI, Inc. recommends having a certified electrician/engineer review loads to ensure that overloading of switch does not occur.



Source	Dimensions* (in./mm)	
	A	B
58 (1 Row)	9.5" / 241	13.0" / 330
73 (1 Row)		
115 (2 Rows)	14.50" / 368	18.0" / 457
145 (2 Rows)		
172 (3 Rows)	19.50" / 495	23.0" / 584
218 (3 Rows)		
* Nominal dimensions		

### PANEL CUTOUT DIMENSIONS



Source	Dimensions* (in./mm)	
	C	D
58 (1 Row)	10.75" / 273	7.0" / 178
73 (1 Row)		
115 (2 Rows)	15.75" / 400	12.0" / 305
145 (2 Rows)		
172 (3 Rows)	20.75" / 527	17.0" / 432
218 (3 Rows)		
* Actual dimensions		



1-800-854-0021 www.ldpi-inc.com  
LDPI® is a registered trademark of LDPI, Inc. © LDPI, Inc.

Product design and specifications subject to change without notice.  
Visit www.ldpi-inc.com for the most current version and photometric data. v.03.26.26