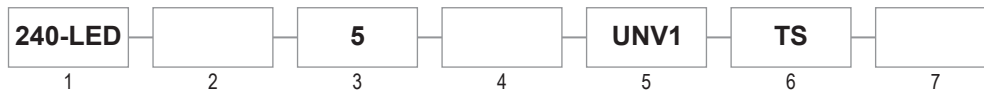


The 240 LED Series is a very versatile fixture for use in hazardous environments. It is an ideal fixture for industrial applications, wet locations and task lighting. Optional adjustable mounting brackets allow for precise aiming in multiple angles suitable for most applications. With multiple hub locations, the 240 LED Series can meet most of your wiring needs. LED lamps included.



1 SERIES	2 SOURCE	3 CCT	4 LAMP QTY	5 VOLTAGE
240-LED	L: Low Output* S: Standard Output H: High Output**  *Low Output Option only available in 4L Fixture **High Output Option only available in 2L, 4L, and 6L Fixtures	5: 5,000K	2L: 2 Lamps 3L: 3 Lamps 4L: 4 Lamps 5L: 5 Lamps 6L: 6 Lamps	UNV1: 120-277VAC (50/60Hz)
6 HUB	7 OPTIONS			
TS: Top / Side Hubs (1/2" NPT)	A: Acrylic Lens AM: Adjustable Mounting Brackets for Surface Mounting CB: Cable Mount: (Includes 5ft. Cable) P: Polycarbonate Lens W: Wire Guard			

### CERTIFICATIONS

UL844 / CSA 22.2 No. 137.0 (Hazardous)  
 CI, D2 Groups A, B, C, D  
 CII, D2 Groups F, G  
 CIII  
 T-Codes: CID2=T4 / CIID2=T4A / CIII=T4A  
 UL1598 / CSA 22.2 No. 250.0 (Wet / Damp)  
 Lumen Maintenance (L70): >50,000 hrs. (lamps only)  
 CRI >80  
 -18°C to 40°C Ambient  
 IP65

### CONSTRUCTION

18Ga. Steel, powder coat white  
 Hinged front door and driver tray  
 Tempered glass lens  
 Pendant mount (Standard)  
 1/2" NPT hub each end  
 Weights: Min: 48 lbs. / Max: 70 lbs.

### ELECTRICAL

120-277VAC (50/60Hz)  
 Though feed wiring (Standard)

### FEATURES

LED tube lamps included  
 15° adjustments on optional mounting brackets  
 5 Year warranty

### PERFORMANCE

Tube Lamp Qty.	Source (Output)	Voltage (VAC) 50/60Hz	Input Current (A)	Wattage (W)	Lumen Output* (Lm)
					5,000K (CCT)
4L	L: Low	120-277	0.54 - 0.23	64	6060
2L	S: Standard		0.29 - 0.13	35	3560
3L			0.45 - 0.19	53	5340
4L			0.59 - 0.26	70	6810
5L			0.74 - 0.32	88	8550
6L			0.88 - 0.38	105	10260
2L			H: High	0.41 - 0.18	49
4L	0.82 - 0.35			97	9460
6L	1.22 - 0.53			145	14250
	* Nominal values				

### Operating Temperature codes Based on 40°C Ambient

CI, D2 Groups A, B, C, D	CII, D2 Groups F, G	CIII
T4=135°C	T4A=120°C	T4A=120°C

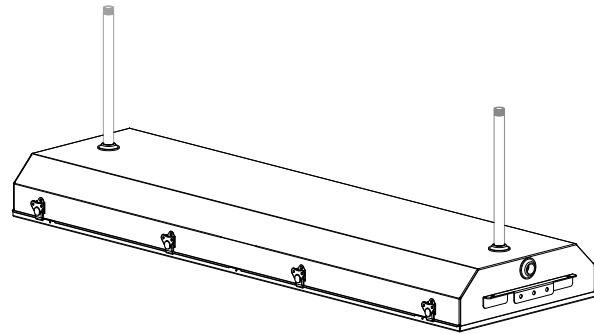
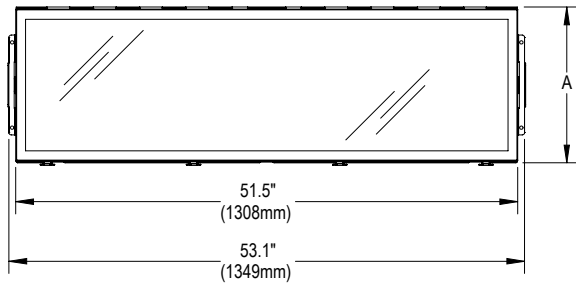
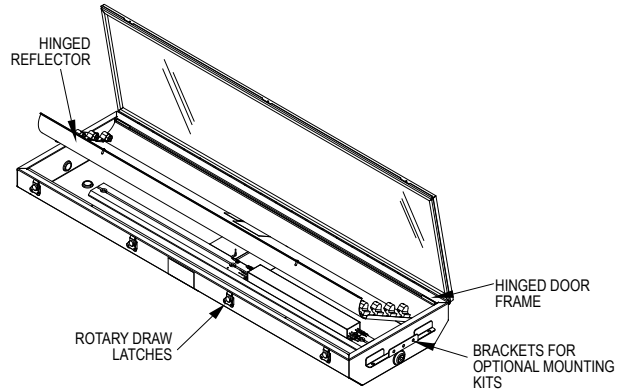
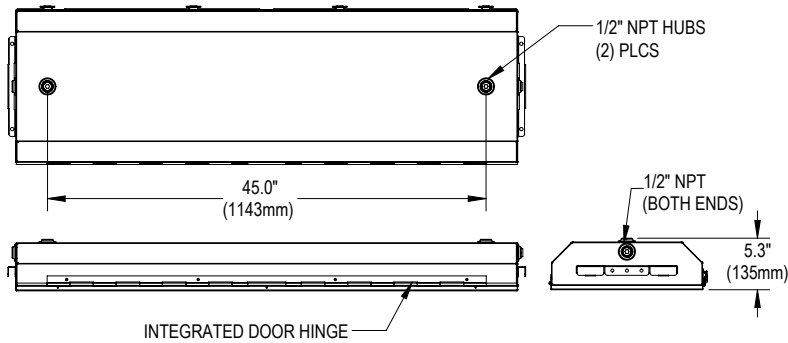
# 240 LED

## LED HAZARDOUS LIGHTING

Chemical Processing • Industrial • Metals & Mining • Oil / Gas • Water Treatment



### DIMENSIONS (NOMINAL)



Shown with standard pendant mount (conduit not included)

"A" Dimension in. (mm)	
2L	12.2" (310mm)
3L	16.2" (411mm)
4L	
5L	20.7" (526mm)
6L	

### MOUNTING ACCESSORIES (CAN BE ORDERED SEPARATELY AND FIELD INSTALLED)

Option Number	Part Number	Item	Dimensions
AM Adjustable Mounting Brackets	6856		<p>55.3" (1404mm) CENTER OF SLOT</p> <p>3.0" (76.2mm)</p> <p>1.5" (38.1mm)</p> <p>Ø .34" X .44" SLOT (TYP.)</p> <p>12.6" (320mm)</p>


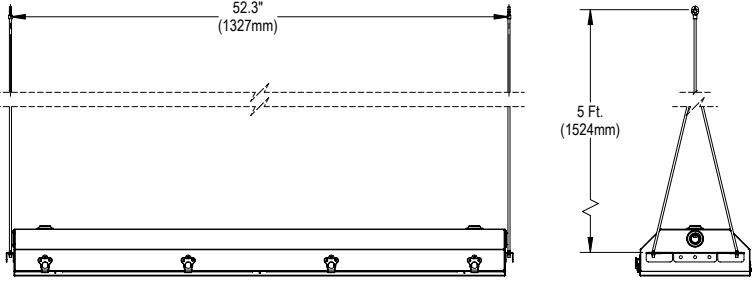



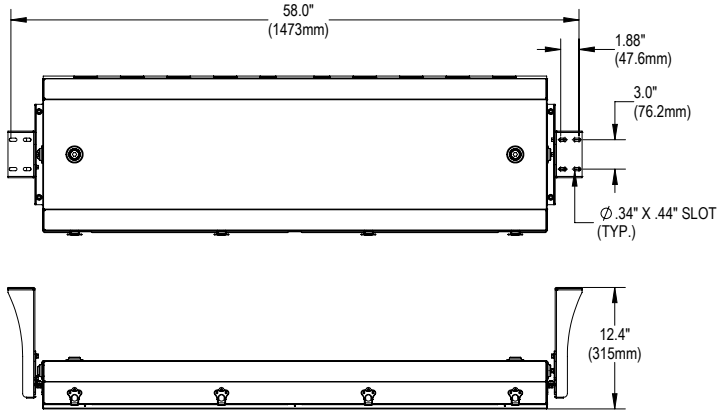
# 240 LED

## LED HAZARDOUS LIGHTING

Chemical Processing • Industrial • Metals & Mining • Oil / Gas • Water Treatment

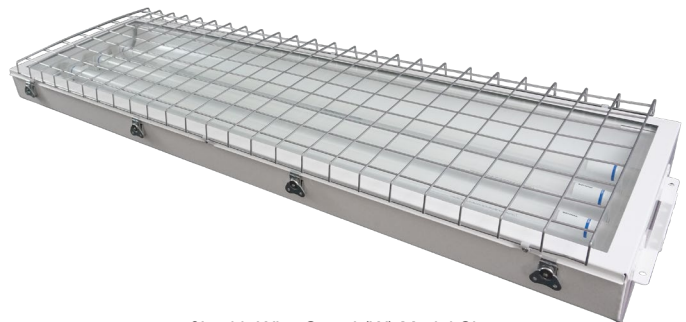
### MOUNTING ACCESSORIES (CAN BE ORDERED SEPARATELY AND FIELD INSTALLED)

Option Number	Part Number	Item	Dimensions
CB Cable Mount (5 Ft. Standard)	6875		

Option Number	Part Number	Item	Dimensions
Vertical Surface Mounting Bracket Kit (Ordered Separately, Field Installed)	10357		



3L Model Shown



3L with Wire Guard (W) Model Shown