



# INSTALLATION, OPERATION AND MAINTENANCE INSTRUCTIONS

## LEINS3 SERIES LED LIGHTING FIXTURES

### IMPORTANT SAFEGUARDS READ AND FOLLOW ALL SAFETY INSTRUCTIONS BEFORE INSTALLING THIS FIXTURE

- This fixture should be installed by qualified technicians in strict accordance with the National Electrical Code and any local requirements.
- For non-adjustable cord and plug application, the fixture should be mounted directly below the outlet/busway, in accordance with NEC 410.62(c)
- For cord equipped application without an attachment plug; suitable strain relief for the gauge and number of conductors **must** be used.
- To maximize longevity of the fixture, do not mount near heat sources.
- The use of accessory equipment not recommended by the manufacturer may cause an unsafe condition and/or void warranty.
- This fixture is designed for general lighting purposes. Do not use fixture for other than intended use.

### SAVE THESE INSTRUCTIONS

#### INSTALLATION NOTES

1. To prevent the risk of electrical shock, deactivate/disconnect the power supply before installing or servicing this fixture.
2. Before installing, check the fixture label to ensure correct voltage and frequency.
3. Refer to the following pages for typical fixture mounting. Mounting hardware is not supplied.

#### MAINTENANCE DATA

Although no routine maintenance is required to keep this fixture functional, it should be checked periodically to ensure that it is functioning properly, and to inspect for external damage.

For optimal performance and longevity, keep the light transmission lens clean. Refer to the following guide for recommended cleaning methods.

- **Glass care:** Rinse the lens with warm water and clean with a mild soap solution or commercially available glass cleaner and a lint free cloth; rinse well. To remove grease, oil and graffiti, use Isopropyl Alcohol or kerosene followed by the above soap solution sequence. Avoid cleaning the lens in direct sunlight.
- **Acrylic care:** Rinse the lens with warm water and clean with a mild soap solution or commercially available plastic cleaner and a lint free cloth; rinse well. Avoid cleaners that contain ammonia or alcohol. To remove grease, oil and graffiti, use Hexane or kerosene followed by the above soap solution sequence. Avoid cleaning the lens in direct sunlight.
- **Polycarbonate care:** Rinse the lens with warm water and clean with a mild soap solution or commercially available plastic cleaner and a lint free cloth; rinse well. To remove grease, oil and graffiti, use Isopropyl Alcohol or kerosene followed by the above soap solution sequence. Avoid cleaning the lens in direct sunlight.

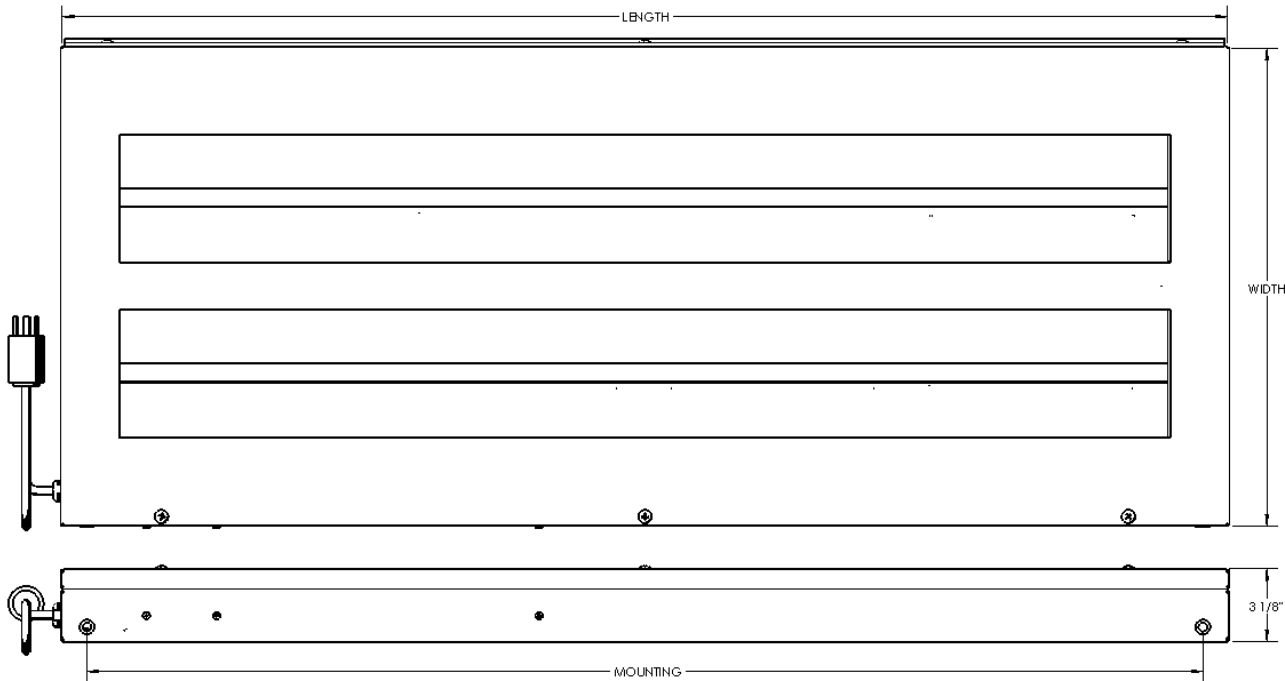
In the event of lens breakage, it will be necessary to replace the entire lens assembly. Contact the factory for replacement details.

## OVERVIEW

### MODEL # IDENTIFICATION

		<i>Length of Fixture</i>			
		2 ft	4 ft	6 ft	8 ft
Number of Rows	1 row	LEINS3-P_-2-1	LEINS3-P_-4-1	LEINS3-P_-6-1	LEINS3-P_-8-1
	2 row	LEINS3-P_-2-2	LEINS3-P_-4-2	LEINS3-P_-6-2	LEINS3-P_-8-2
	3 row	LEINS3-P_-2-3	LEINS3-P_-4-3	LEINS3-P_-6-3	LEINS3-P_-8-3
	4 row	LEINS3-P_-2-4	LEINS3-P_-4-4	LEINS3-P_-6-4	N/A

## LEINS3 SERIES DIMENSIONS

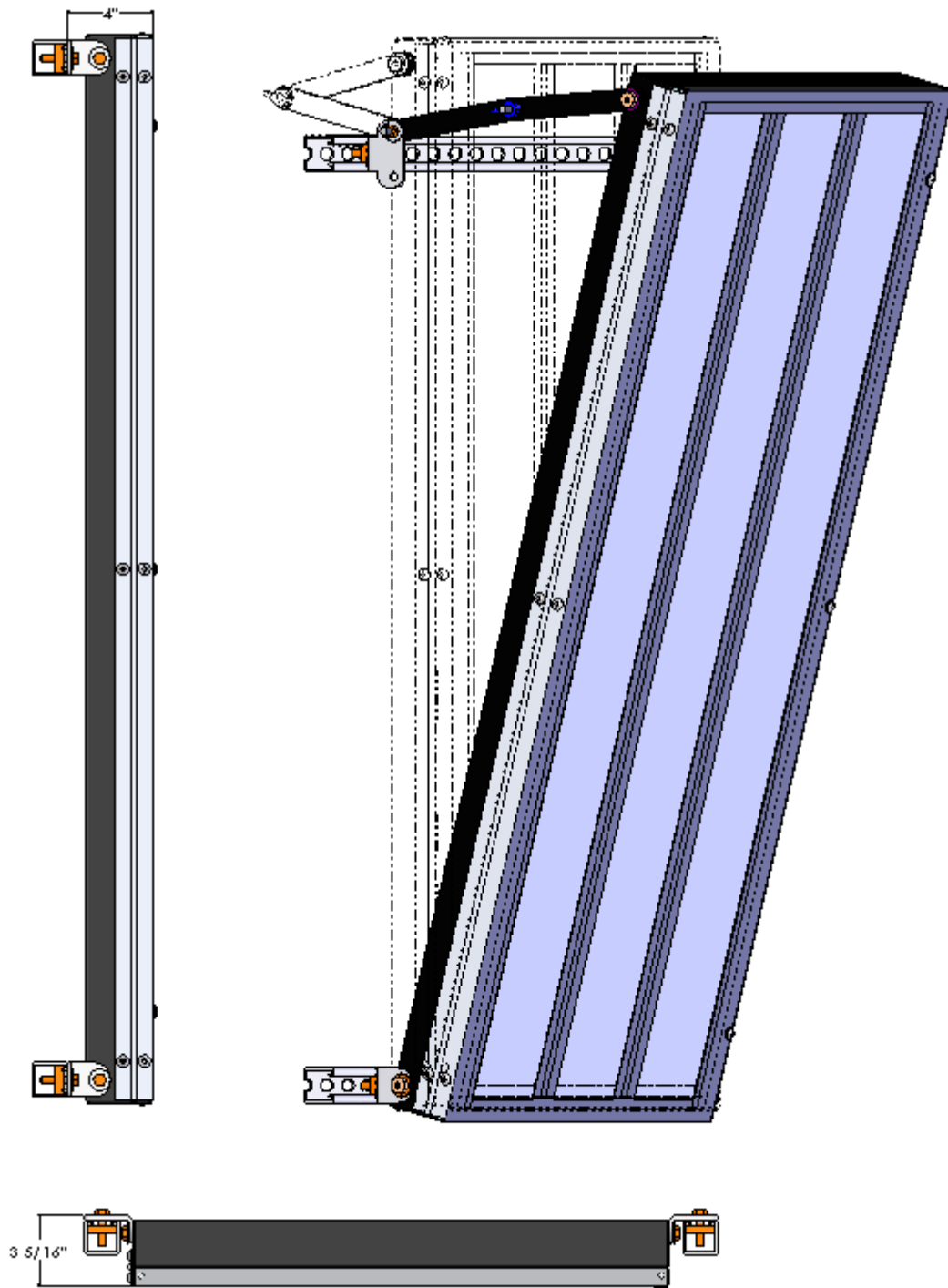


		<i>Length of Fixture</i>				
		2ft	4 ft	6 ft	8 ft	
Number of Rows	1 row	Length	28"	50"	72"	94"
		LEINS3 Width	10"	10"	10"	10"
		Mounting	23 3/4"	47 3/4"	70"	70"
	2 row	Length	28"	50"	72"	94"
		LEINS3 Width	17 1/2"	17 1/2"	17 1/2"	17 1/2"
		LEINS3W Width	20 1/2"	20 1/2"	20 1/2"	20 1/2"
	Mounting	23 3/4"	47 3/4"	70"	70"	
	3 row	Length	28"	50"	72"	94"
		LEINS3 Width	25"	25"	25"	25"
Mounting		23 3/4"	47 3/4"	70"	70"	
4 row	Length	28"	50"	72"	N/A	
	Width	32.5"	32.5"	32.5"	N/A	
	Mounting	23 3/4"	47 3/4"	70"	N/A	

## TYPICAL MOUNTING

STATIONARY MOUNTING KIT  
PART NUMBER: 10315

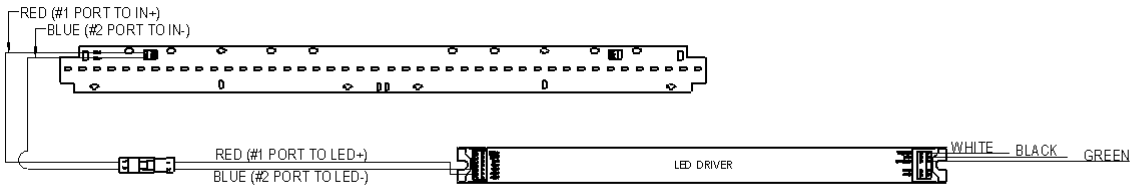
HINGED MOUNTING KIT  
PART NUMBER: 10314



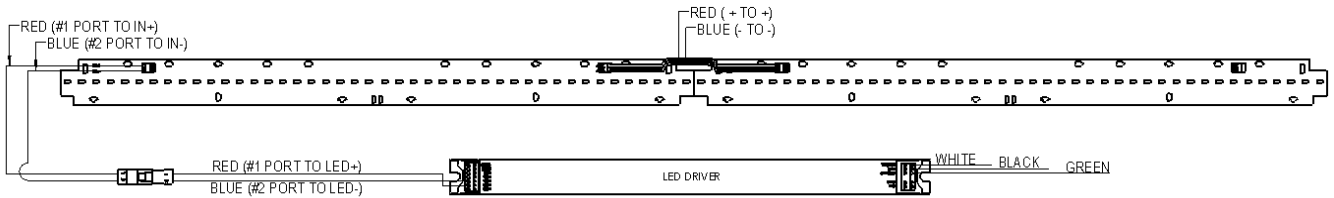
LOW PROFILE STATIONARY MOUNTING KIT  
PART NUMBER: 10387

# TYPICAL WIRING/ROW

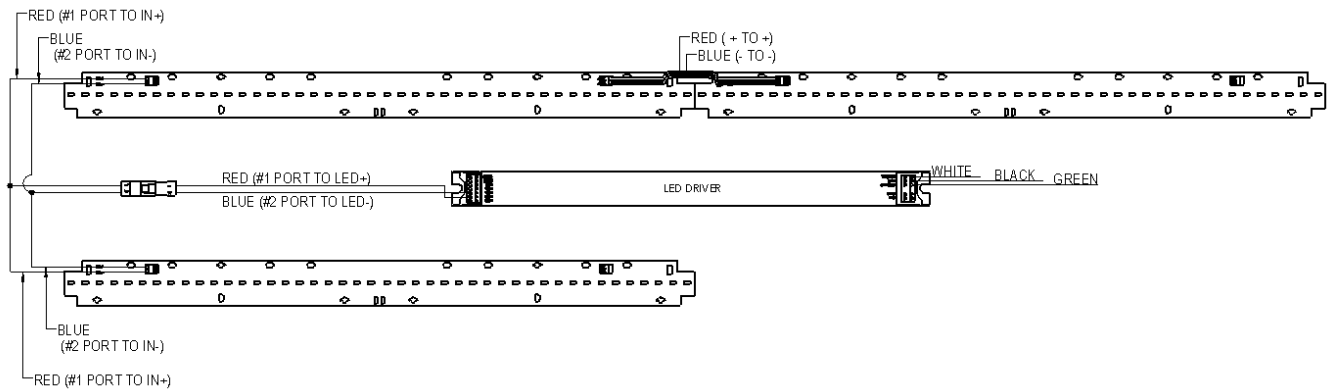
## 2 FOOT FIXTURE



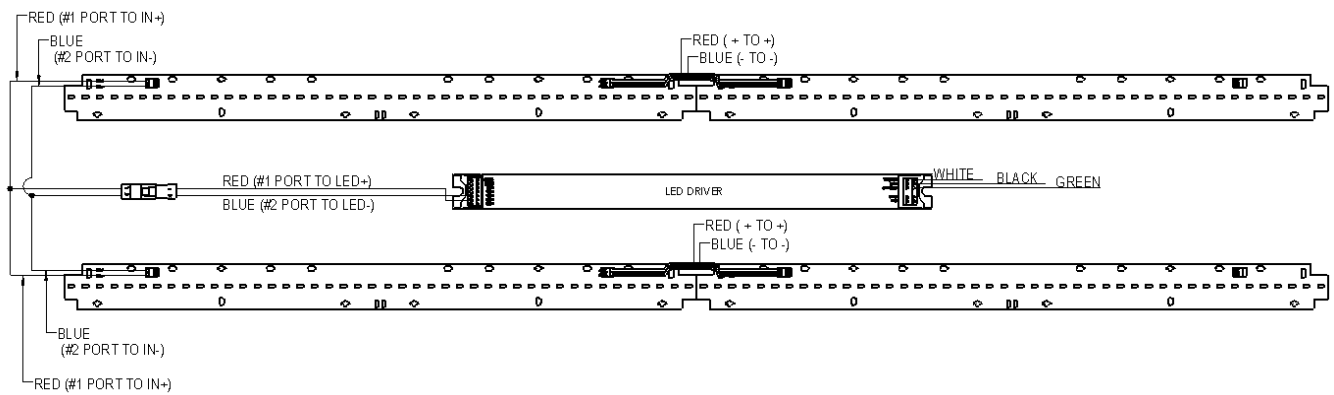
## 4 FOOT FIXTURE



## 6 FOOT FIXTURE



## 8 FOOT FIXTURE



## LED Module Access/Replacement:

1. Deactivate/disconnect the power supply from the supply circuit.
2. Remove/loosen the access fasteners for the lens and reflector assembly as shown in figure 1.
3. Disconnect the led module electrical disconnect shown in Figure 1.
4. Remove the module assembly access fasteners on each end of the module and gently remove the module assembly from the fixture ( If replacing the LED board proceed to step ; If replacing the entire module assembly, follow the steps above in reverse order for re assembly).
5. Remove the optic ( if applicable). With the module assembly on a flat surface, use your thumb and middle finger to lift up on the optic release tabs at the end of the optic.
6. Remove the LED board. (To prevent damage from electrical static discharge, it is highly recommended that the technician and work area be properly grounded). Using a fine tipped instrument, press the wire release tabs shown in figure 3 and remove the wires.
7. Remove the LED module fasteners.
8. Replace the LED board. Place the new LED board in the same location and orientation as the previous board and secure in place with the LED module fasteners. Use caution not to apply too much pressure on the LED module. The LED module fasteners only need to hold the board flat against the mating surface.
9. Follow the above steps in reverse order for reassembly.

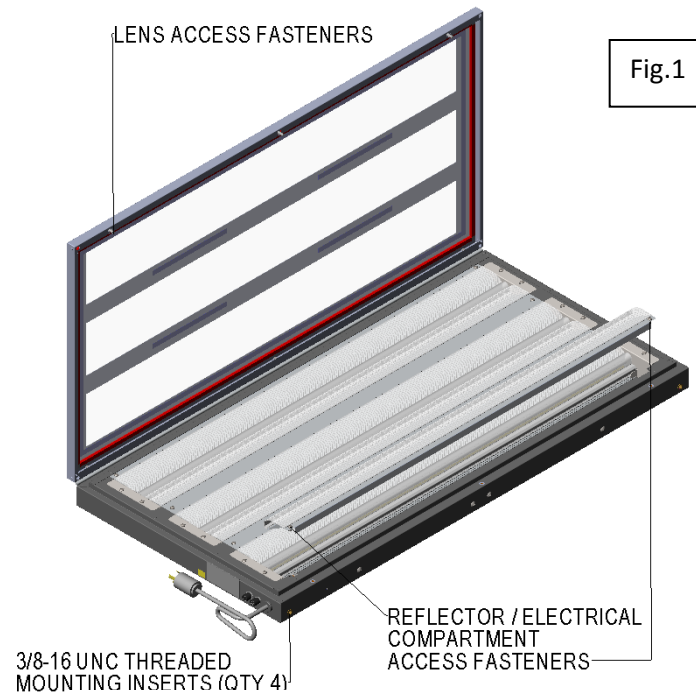


Fig.1

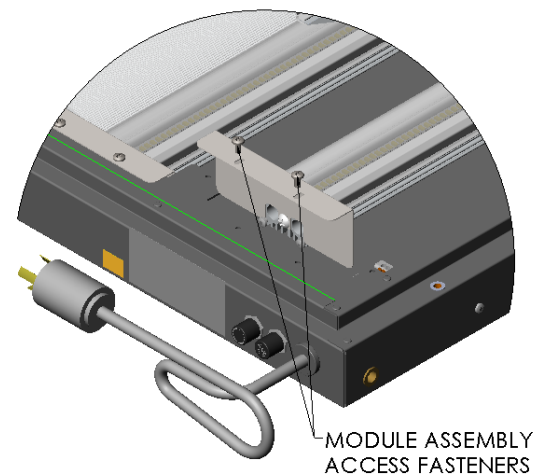


Fig.2

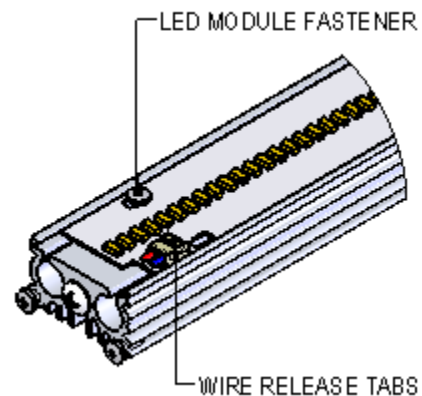


Fig.3