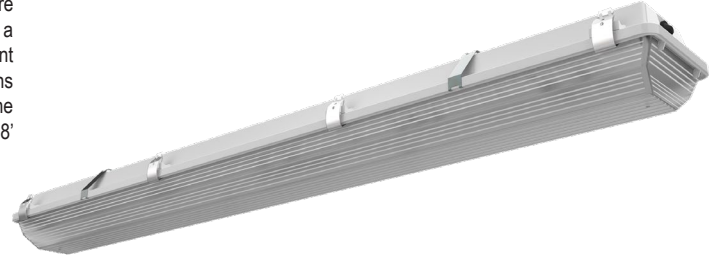
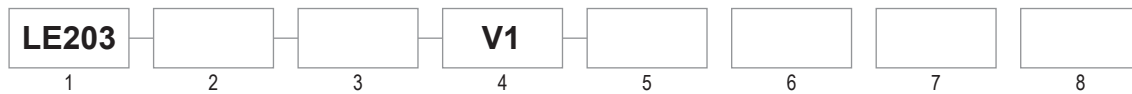


Suitable for interior or exterior applications. This LED, lightweight, vapor tight, nonmetallic fixture is ideal for corrosive or wet/damp environments. The LE203 fixture features a fiberglass housing with an acrylic frosted or acrylic frosted ribbed lens, a continuous poured in place gasket design, and comes standard with surface mount brackets. The LE203 is ideal for commercial industrial or institutional applications providing maximum light output where humidity, dust, or fumes are possible. The LE203 is resilient against corrosion and weathering and is available in 2', 4', and 8' fixture lengths.



Inquire for specific DLC qualified configurations



1 SERIES	2 SOURCE	3 CCT	4 VOLTAGE	5 LENGTH	6 LENS
LE203	38: 37W (2 Ft.) 77: 73W (4 Ft.) 154: 145W (8 Ft.)	3: 3500K 4: 4000K 5: 5000K	V1: 120-277V 50/60Hz	2: 2 Ft. 4: 4 Ft. 8: 8 Ft.	ARF: Acrylic Ribbed Frosted Lens AF: Acrylic Frosted Lens ASF: Acrylic Shallow Frosted Lens (4 & 8 Ft. only)
7 MOUNT			8 OPTIONS		
SM: Surface Mount Bracket AM: 45° Angle Mount			SL: Stainless Steel Latches		

### CERTIFICATIONS

- UL 1598A Marine Inside-Drip Proof
- Lumen Maintenance (L70) 50,000 hrs. (reported)
- DLC (inquire for specific part numbers)
- CRI>80
- NEMA 4X
- NSF (Enclosure only)
- High Pressure Tested at 1,500psi
- 20°C to 35°C Ambient
- IP67 (Housing only)

### CONSTRUCTION

- Fiberglass, 5VA UL rated housing
- Frosted Acrylic Lens
- Polycarbonate latches (standard)
- Poured-in-place gasket
- Weights: 2 Ft: (7 lbs.) 4Ft: (11.5 lbs.) 8Ft: (20.5 lbs.)

### ELECTRICAL

- 120-277VAC
- 0-10V Dimming (standard)

### FEATURES

- Surface mount brackets included
- Optional horizontal and angle mount brackets
- 5 Year Warranty

### PERFORMANCE

Model	Voltage (VAC) 50/60Hz	Input Current (A)	Wattage (W)	CCT	Lumens* (Lm)
38	120-277	0.31-0.13	37	3,500K	4000
				4,000K	
				5,000K	
77	120-277	0.61-0.26	73	3,500K	8000
				4,000K	
				5,000K	
154	120-277	1.21-0.52	145	3,500K	16000
				4,000K	
				5,000K	

\*Nominal values

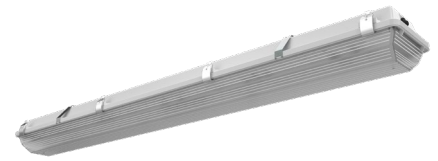


8 Ft. with Acrylic Shallow Frosted Lens (ASF)

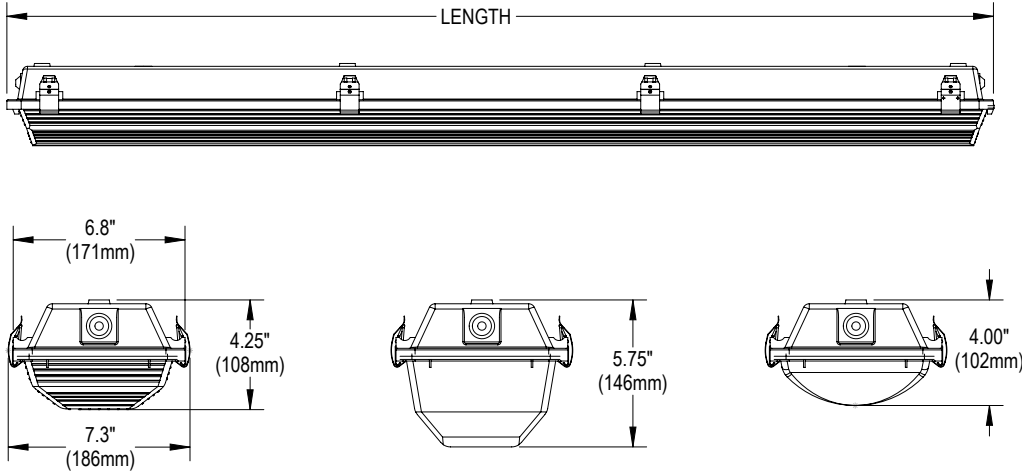
# LE203

## LED WET / DAMP LIGHTING

Food & Beverage Processing • Industrial • Pulp & Paper • Shipyards / Marine • Water Treatment



### DIMENSIONS



Part #	Length
LE203-38 (2 Ft.)	27.25" (692mm)
LE203-77 (4 Ft.)	51.75" (1,314mm)
LE203-154 (8 Ft.)	100.19" (2,545mm)

**ARF:** Acrylic Ribbed Frosted Lens  
(Standard)

**AF:** Acrylic Frosted Lens

**ASF:** Acrylic Shallow Frosted Lens

### MOUNTING

- Offers a huge advantage over more traditional enclosures.
- Durable, stainless steel Mounting hardware.
- No drilling necessary for the housing for installation.
- Installation time is dramatically reduced, providing lower installation costs.

Part #	Description	Kit	Installed
SM	#6686 Standard Mounting Kit (Included) (2) #5081 Brackets		
AM*	#5102 45° Mounting Bracket Kit (2) #5101 45° Brackets (2) Hex Head Bolts (2) Lock Nuts		
10616*	Horizontal Mounting Stiffener Kit (2) #8472 Brackets		

\* Ordered separately, field installed