



INSTALLATION, OPERATION AND MAINTENANCE INSTRUCTIONS

LE203 SERIES LED LIGHTING FIXTURES

IMPORTANT SAFEGUARDS READ AND FOLLOW ALL SAFETY INSTRUCTIONS BEFORE INSTALLING THIS FIXTURE

- This fixture should be installed by qualified technicians in strict accordance with the National Electrical Code and any local requirements.
NOTE: For non-adjustable cord and plug applications, the fixture must be mounted directly below the outlet/busway.
- To prevent risk of electrical shock deactivate/disconnect the power supply before installing or servicing fixture.
- To maximize longevity of the fixture, do not mount near heat sources.
- The use of accessory equipment not recommended by the manufacturer may cause an unsafe condition and/or void warranty.
- This fixture is designed for general lighting purposes. Do not use fixture for other than intended use.
- CLASS 1 WIRING ONLY
- Branch circuit connections made in the field shall be located behind wiring access cover.

SAVE THESE INSTRUCTIONS

INSTALLATION

1. **BEFORE INSTALLING, MAKE SURE THAT THE CIRCUIT IS DEACTIVATED.**
2. THE DRIVER IN THIS FIXTURE IS DESIGNED TO OPERATE ON GROUNDED NEUTRAL SYSTEMS ONLY.
3. Before installing, check the fixture label to insure correct voltage and frequency.
4. Note: To access driver/wiring, release latches, remove lens and pull on board tray retainer clips to remove the LED assembly.
5. Refer to the following pages for Typical LE203 Series fixture mounting. Mounting hardware is not supplied.
6. Install fixture to structure. Wire fixture through conduit hub when applicable according to schematic on driver. Branch circuit connections made in the field shall be located behind LED board tray assembly.
7. Close the LED board tray assembly until it clicks into place, position lens on housing gasket and hook latches on lens flange and flip down to secure.
8. Installation of light fixture onto structure is now complete.

OPERATIONAL DATA

Operate this fixture at its rated voltage. NOTE: REFER TO LED DRIVER IN FIXTURE FOR ITS RATED VOLTAGE.

MAINTENANCE DATA

Although no routine maintenance is required to keep this fixture functional, it should be checked periodically to ensure that it is functioning properly and to inspect for external damage.

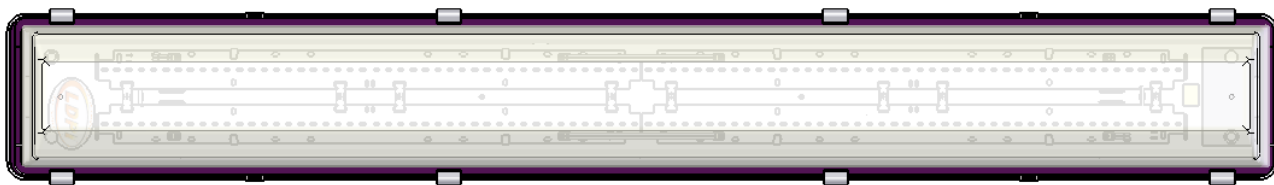
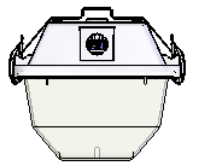
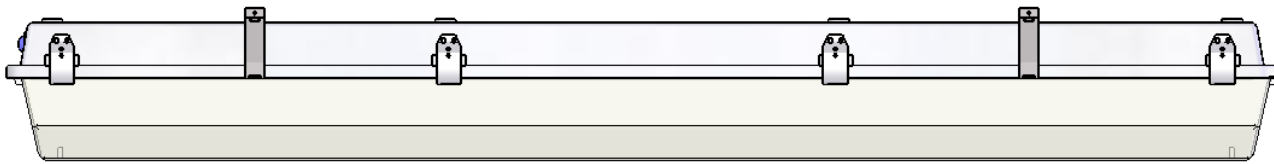
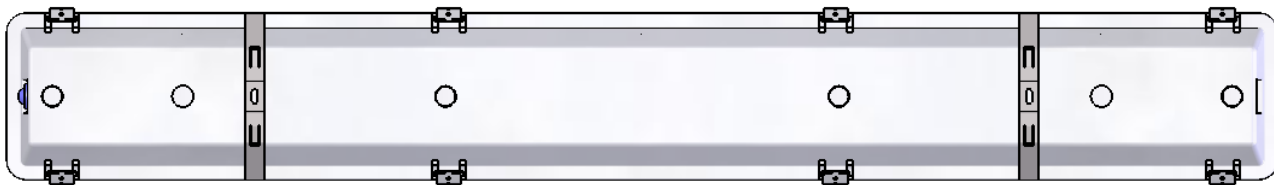
For optimum performance and longevity:

- Keep fixture free of debris and sediment build up.
- keep light transmission lens clean.
- Lens care: While exercising caution to eliminate the ingress of all liquids, rinse the lens with warm water and clean with mild soap solution and lint free cloth.
To remove grease, oil and graffiti, use Isopropyl Alcohol followed by the above soap solution sequence. Avoid cleaning the lens in direct sunlight.
- **To replace LED driver:** release latches, remove lens and pull on board tray retainer clips to remove the LED assembly.
- Replace old driver with new driver. Close the LED board tray assembly until it clicks into place, position lens on housing gasket and hook latches on lens flange and flip down to secure.
- In the event of lens breakage, it will be necessary to replace the damaged lens, in order to maintain the integrity of the fixture.

LDPI, Inc. 1-800-854-0021 Web: www.ldpi-inc.com E-mail: sales@ldpi-inc.com

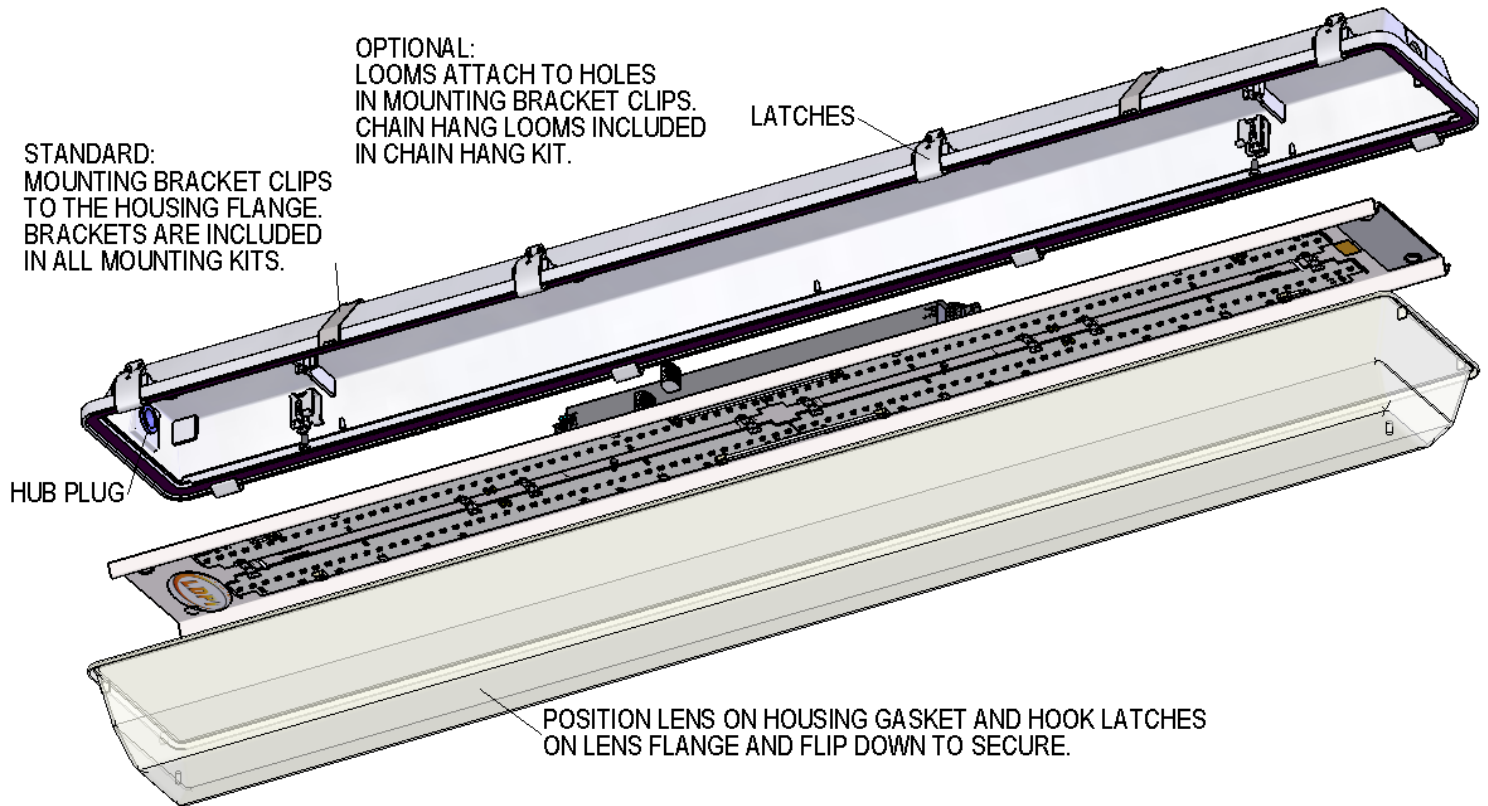


4FT LUMINARE SHOWN



TYPICAL WET / DAMP INSTALLATIONS

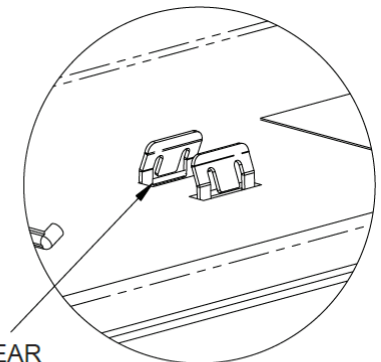
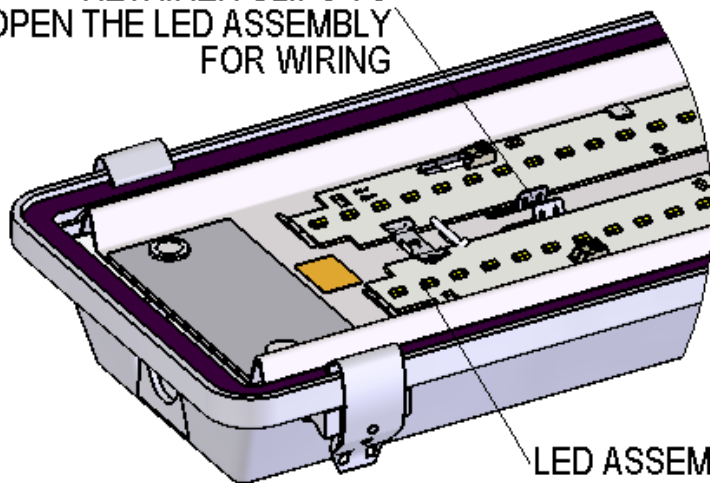
NOTE: ASSEMBLY IS SIMILAR FOR LE203 SERIES FIXTURES.
NUMBER OF LATCHES WILL VARY DEPENDING ON FIXTURE LENGTH.



OPEN LED ASSEMBLY

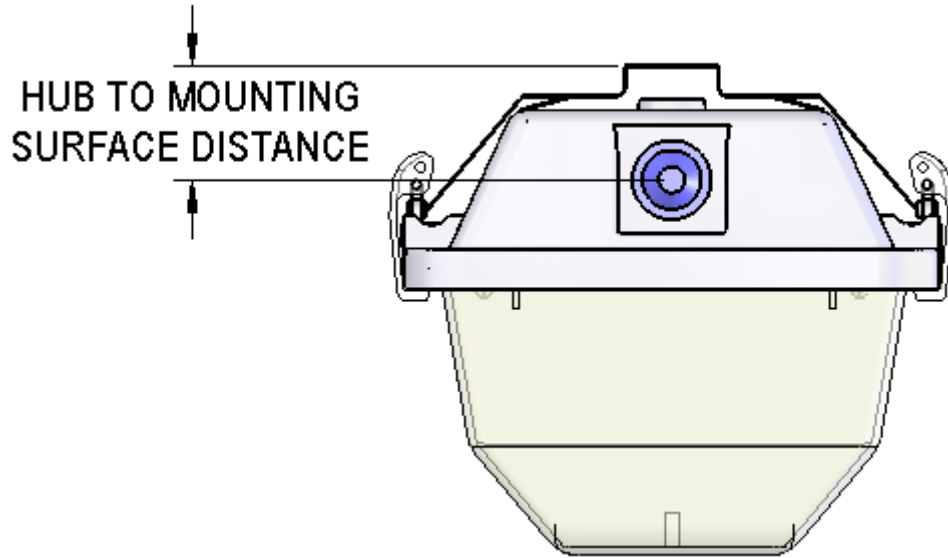
Pull on board tray retainer clips to hinge open the LED assembly.

**PULL ON BOARD TRAY
RETAINER CLIPS TO
OPEN THE LED ASSEMBLY
FOR WIRING**

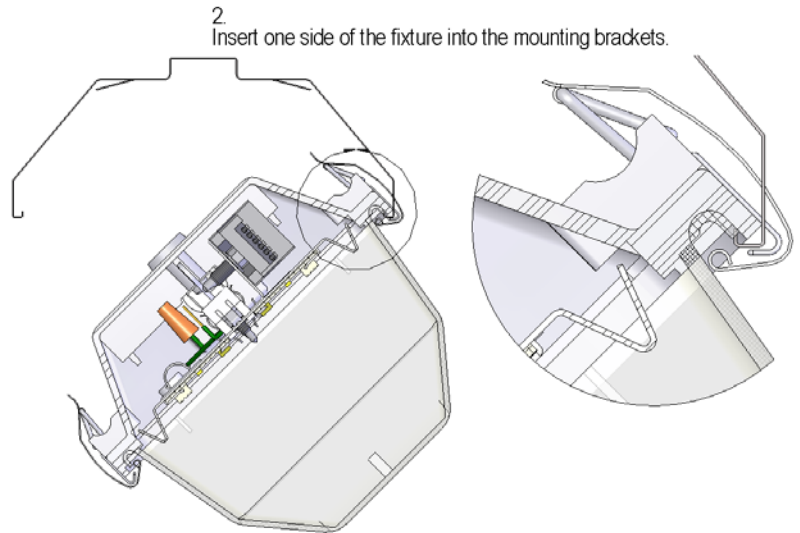
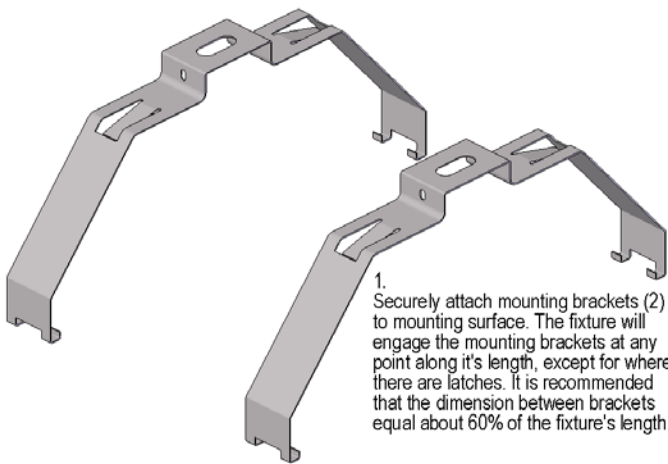


TYPICAL LE203 MOUNTING INSTALLATIONS

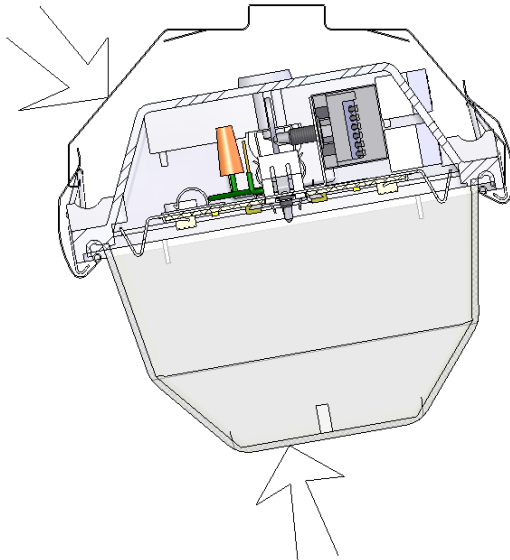
NOTE: THE SNAP ON MOUNTING BRACKETS ARE FLEXIBLE AND WILL EXHIBIT SOME DEFLECTION DEPENDING ON THE WEIGHT OF THE FIXTURE. WHEN USING RIGID CONDUIT MEASURE THE HUB TO MOUNTING SURFACE DISTANCE FOR YOUR APPLICATION. HOLES SHOULD NOT BE DRILLED IN FIXTURE FOR MOUNTING.



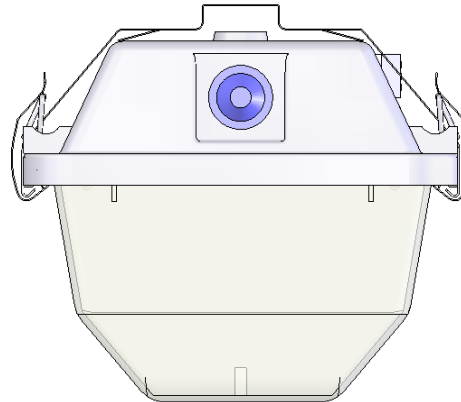
STANDARD MOUNTING BRACKET



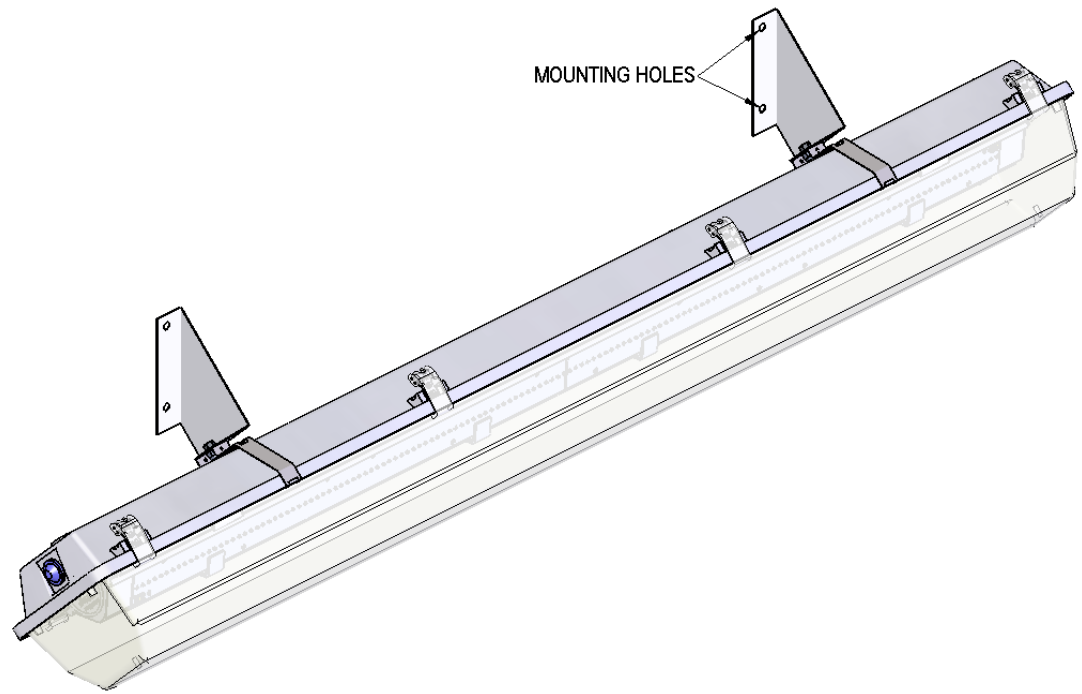
3. Push up on the fixture and then press in on the mounting bracket until the mounting bracket clicks into place.



4. Verify that the fixture is fully supported before connecting to a power supply.



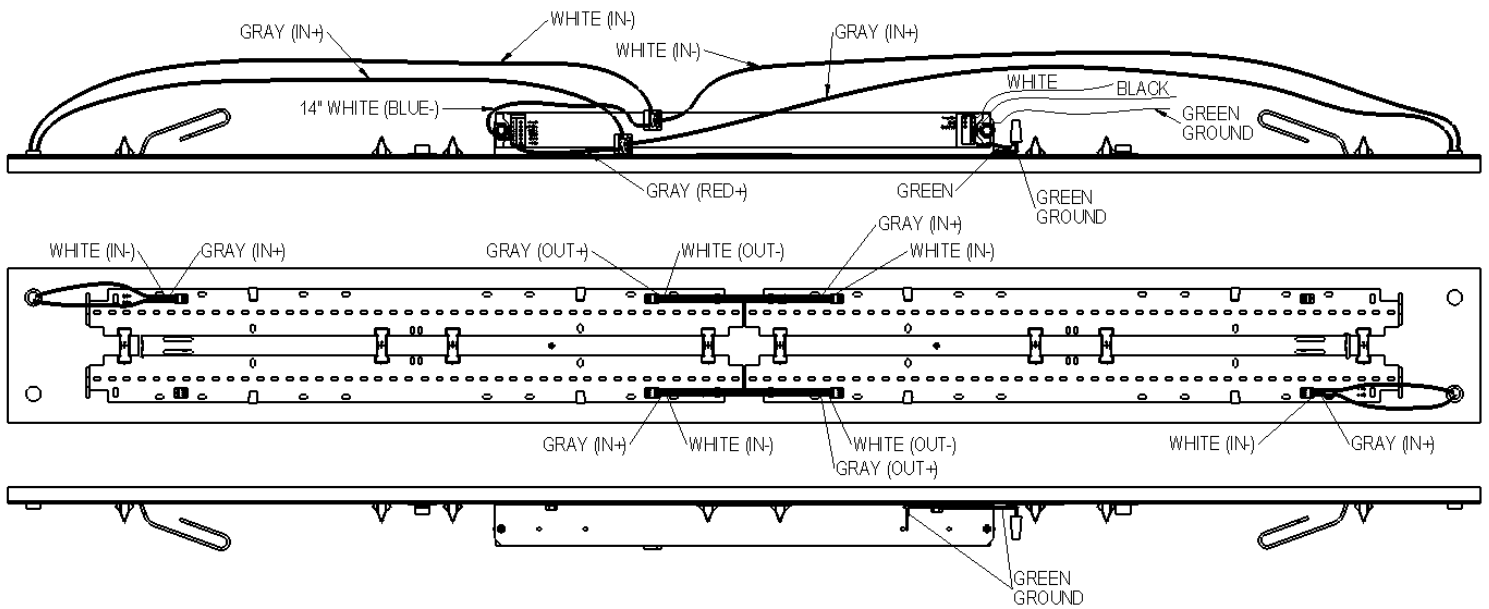
OPTIONAL 45 DEG MOUNTING KIT



TYPICAL WIRING SCHEMATIC FOR 4FT FIXTURE

CLASS 1 WIRING ONLY.

Branch circuit connections made in the field shall be located behind wiring access cover.



NOTE: THE LED DRIVER IN THIS FIXTURE IS DESIGNED TO OPERATE ON GROUNDED NEUTRAL SYSTEMS ONLY.

IMPORTANT SAFETY NOTE: THERE IS STILL VOLTAGE INSIDE THE FIXTURE WHEN THE FIXTURE IS OPENED.

WARNING: TO PREVENT THE RISK OF ELECTRICAL SHOCK DEACTIVATE/DISCONNECT THE POWER SUPPLY BEFORE MAINTENANCE OF FIXTURE.

NOTE: REFER TO DIAGRAM ON LED DRIVER WITH SPECIFIC WIRING DETAILS.