

LEFP SERIES

LED GENERAL LIGHTING

DATE: _____ PROJECT MGR: _____

JOB: _____

PN: _____



APPLICATIONS

General Industrial
Commercial Office
Institutional and School
Medical

LEFP general industrial ceiling mount fixtures are the LED alternative to traditional 1x4, 2x2, and 2x4 fluorescent fixtures. The thin sheet LED provides a highly uniform, smooth, low glare illumination.

SPECIFICATIONS

CERTIFICATIONS: UL1598
CSA 22.2 No. 250.0
UL8750
CSA 22.2 No. 250.13
DLC



CONSTRUCTION: Powder Coated White Aluminum Frame
1x4, 2x2, 2x4 Sizes Available
Low Profile Design
0-10V Dimming Standard

PERFORMANCE: 80+ CRI

	Power	LUMENS		
		CCT 3000K	CCT 3500K	CCT 4000K
LEFP 1x4	35	3323lm	3445lm	3491lm
LEFP 2x2	35	3039lm	3228lm	3232lm
LEFP 2x4	48	4465lm	4504lm	4908lm

ELECTRICAL: 120-277 Volts, 50/60 Hz

LED GENERAL LIGHTING

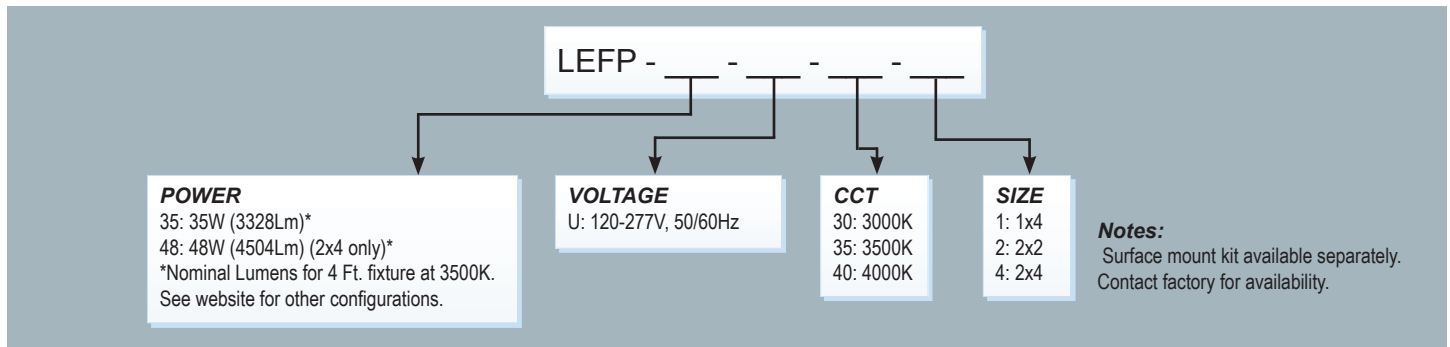


LEFP SERIES

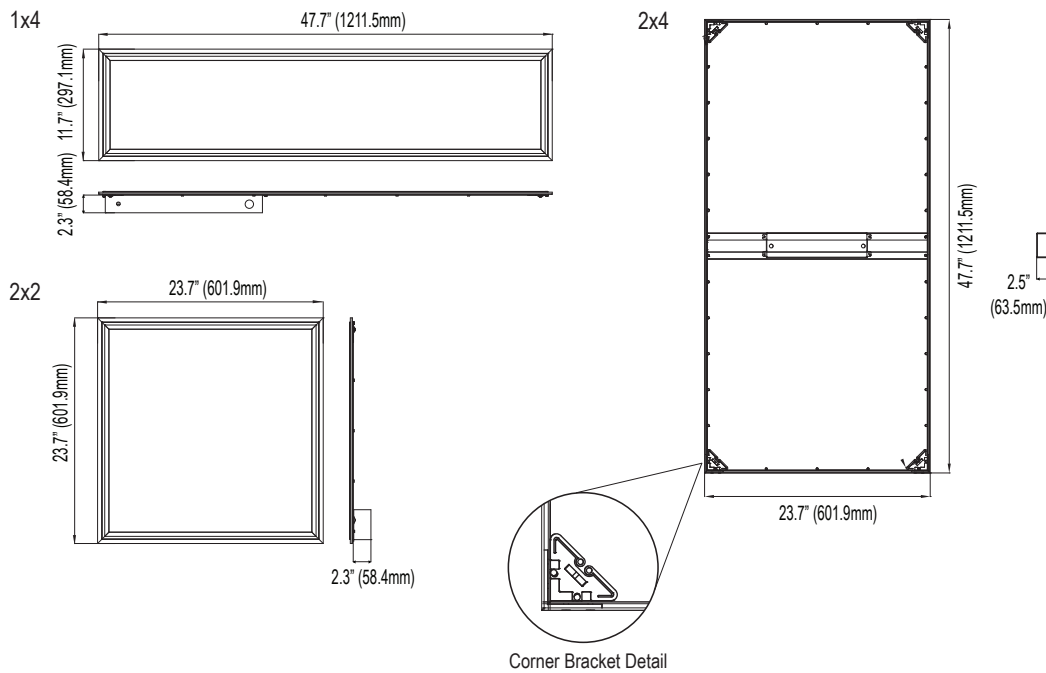
LED GENERAL LIGHTING



www.ldpi-inc.com



Dimensions (Nominal)



Surface Mount Kit (Ordered Separately)

