



SLIM LIGHT LED

LED HAZARDOUS BOOTH LIGHTING

Paint and Powder Booths • Blast Booths • Inspection • Prep • Sanding

The Slim Light LED Series features a 20 Ga. white powder coat steel housing that is only 2 1/4" thick. The Slim LED Series is available as a 4' fixture with 2, 4 and 6 row LED tube options. It can be built with low and standard output factor drivers and is available with 5,000K LEDs. This series provides a hinged front door lens assembly with a paint spray cutoff switch when opened. This fixture must be installed with the hinge side up when being horizontally mounted. LED tubes and 8 Ft. wire whip included. Contact LDPI for availability.



1 SERIES	2 SOURCE	3 CCT
420: 2 Row 440: 4 Row 460: 6 Row	L: Low Output Factor* S: Standard Output Factor H: High Output Factor *only available with 390440-LED (4 Row)	5: 5,000K

CERTIFICATIONS

UL844 / CSA-C22.2 No.137 (Hazardous)
 CI D2, Grps A,B,C,D
 CII D2, Grps F,G
 Paint Spray Listed
 T-Codes: CI D2, CII D2=T3C
 UL1598 / CSA-C22.2 No.250 (Wet/Damp)
 Lumen Maintenance (L70) >50,000 hrs. (lamps only)
 CRI >80
 -18°C to 40°C Ambient

CONSTRUCTION

20 gauge white powder coated steel housing
 Hinged front access panel
 4Ft. Length (nominal dimension)
 Access panel clear tempered glass
 1/2" NPT Hubs
 Weight: Min: 34lbs. / Max: 52lbs.

ELECTRICAL

120-277VAC
 8Ft. 5-Wire whip standard, factory installed

FEATURES

2.25" depth
 40%+ energy savings compared to F32 T8 fluorescent lamps
 Recess mount, front access
 5 Year Warranty

PERFORMANCE

SERIES	Source	Voltage (VAC) 50/60Hz	Input Current (A)	Wattage (W)	Lumen Output* (Lm)
					5,000K
390420-LED	L	120-277	n/a		
	S		.29 - .13	35	3250
	H		.41 - .18	49	4010
390440-LED	L		.54 - .23	64	5470
	S		.59 - .26	70	6150
	H		.82 - .35	97	8550
390460-LED	L		n/a		
	S		.88 - .38	105	10070
	H		1.22 - .53	145	13310

* Nominal values

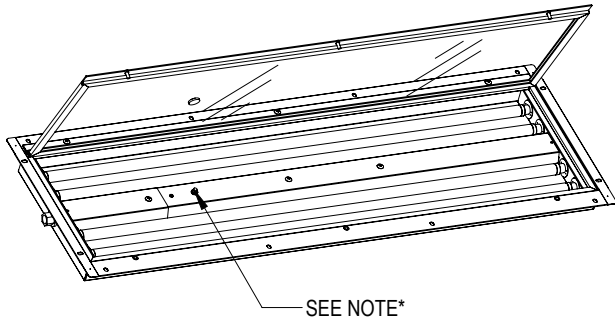


SLIM LIGHT LED

LED HAZARDOUS BOOTH LIGHTING

Paint and Powder Booths • Blast Booths • Inspection • Prep • Sanding

DIMENSIONS



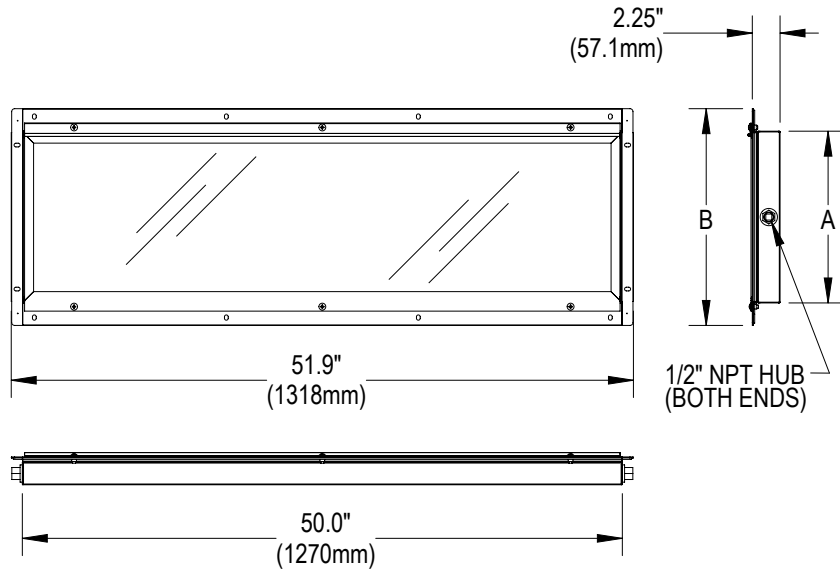
*NOTE

Normally open magnetic switches are intended to be used to trigger a relay (furnished by others) which disables the paint system. Because of the small capacity of the switch a solid state relay is recommended. It may be desired by others to utilize a separate power supply to segregate the relay (furnished by others) from the lighting power supply. The magnetic switch IS NOT designed to directly control light operation! The magnetic switch is rated for 10 watts resistive at a maximum of 300 VAC.



CAUTION

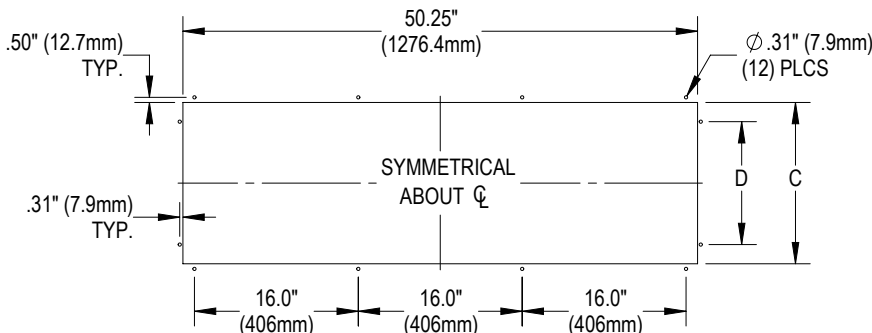
Overloading the switch circuits WILL cause failure. LDPI, Inc. recommends having a certified electrician/engineer review loads to ensure that overloading of switch does not occur.



Model	Dimensions* (in./mm)	
	A	B
390420-LED	9.5" / 241	13.0" / 330
390440-LED	14.50" / 368	18.0" / 457
390460-LED	19.50" / 495	23.0" / 584

* Nominal dimensions

PANEL CUTOUT DIMENSIONS



Model	Dimensions* (in./mm)	
	C	D
390420-LED	10.75" / 273	7.0" / 178
390440-LED	15.75" / 400	12.0" / 305
390460-LED	20.75" / 527	17.0" / 432

* Actual dimensions



1-800-854-0021 www.ldpi-inc.com
LDPI® is a registered trademark of LDPI, Inc. © LDPI, Inc.

Product design and specifications subject to change without notice.
Visit www.ldpi-inc.com for the most current version and photometric data. v.02.05.21