

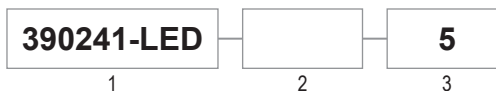


241 LED

LED HAZARDOUS BOOTH LIGHTING

Paint Spray Booths • Prep Areas • Inspection Areas • Laboratories

The 241 Series is an ideal product for a multitude of areas including Paint Spray Booths, Prep Areas, Inspection Areas, Sanding or Machining Areas, even where Grain or Coal Dust may be a concern. This 4 lamp 4' fixture is available with T8 LED replacement lamps. This fixture series can be built with low and standard ballast factor ballasts and is available with 5,000K LEDs. This series carries multiple listings from UL and ETL for Class I Div. 2 and Class II Div. 2 applications. Must be mounted hinge side up. LED Lamps and 8 Ft. wire whip included.



1 SERIES	2 SOURCE	3 CCT
390241-LED: 4 Lamp Fixture	L: Low Output Factor (64W) S: Standard Output Factor (70W) H: High Output Factor (97W)	5: 5,000K

CERTIFICATIONS

UL844 / CSA-C22.2 No.137 (Hazardous)
 CI D2, Grps A,B,C,D
 CII D2, Grps F,G
 Paint Spray Listed
 T Code: CI D2 & CII D2=T3C
 UL1598 / CSA-C22.2 No.250 (Wet/Damp)
 Lumen Maintenance (L70) >50,000 hrs. (lamps only)
 CRI >80
 -18°C to 40°C Ambient

PERFORMANCE

SERIES	Source	Voltage (VAC) 50/60Hz	Input Current (A)	Wattage (W)	Lumen Output* (Lm)
					5,000K
390241-LED	L	120-277	.54 - .23	64	5860
	S		.59 - .26	70	6500
	H		.82 - .35	97	8400

* Nominal values

CONSTRUCTION

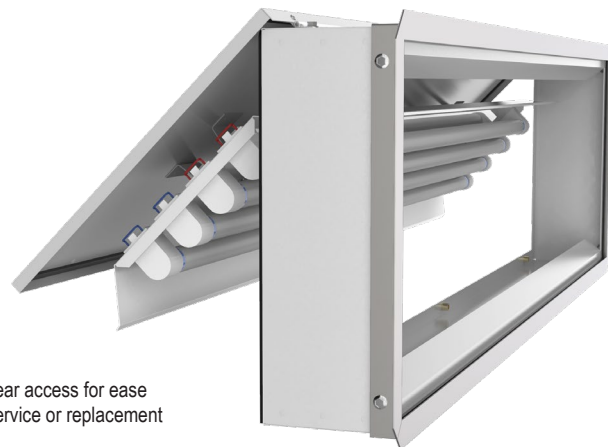
20 gauge white powder coated steel housing
 Hinged, rear access panel
 Tempered glass panel
 Silicone free gaskets
 4 Ft. length (nominal)
 1/2" NPT Hub
 Weight: 46.5 lbs.

ELECTRICAL

120-277VAC
 8Ft. 3-wire whip (standard)

FEATURES

Hinged rear access for easy lamp replacement
 40%+ energy savings compared to F32 T8 lamps
 5 year warranty



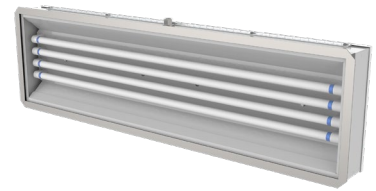
Hinged, rear access for ease of lamp service or replacement



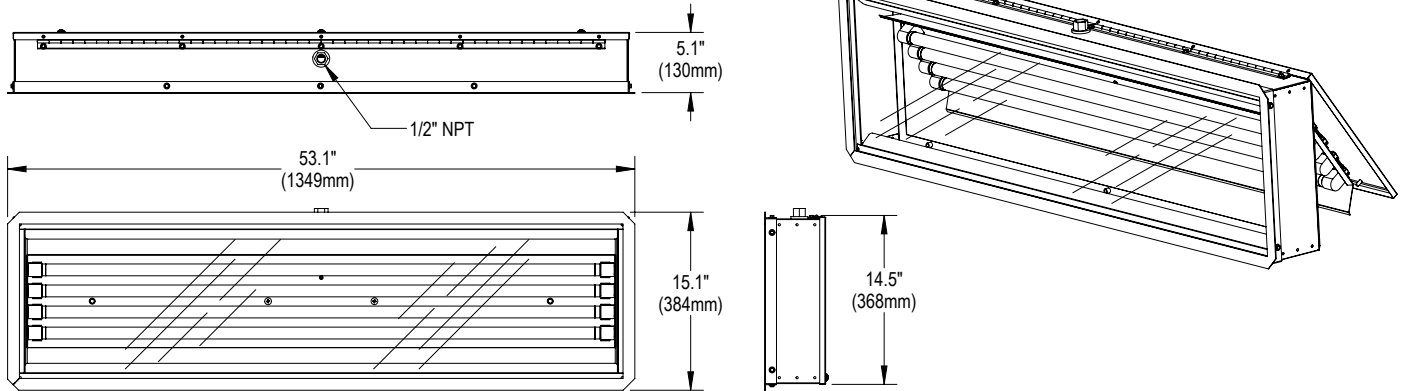
241 LED

LED HAZARDOUS BOOTH LIGHTING

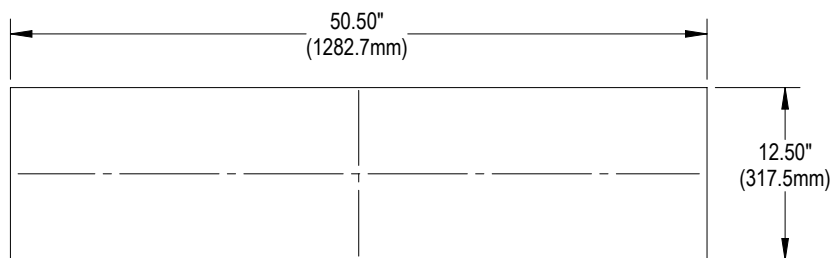
Paint Spray Booths • Prep Areas • Inspection Areas • Laboratories



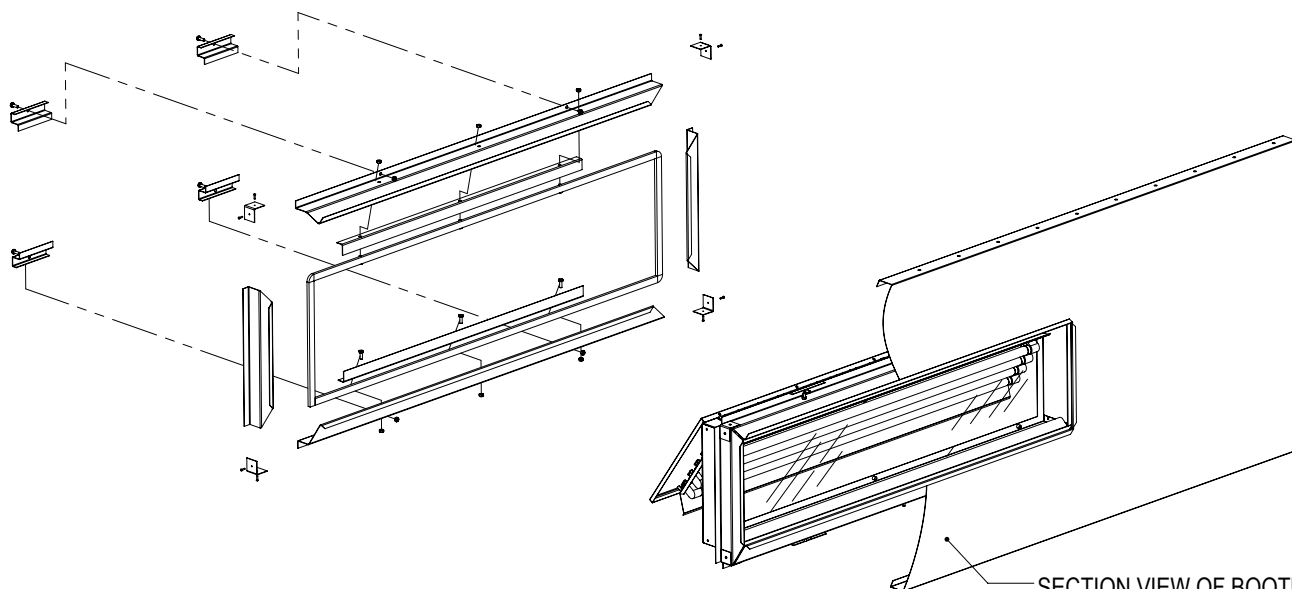
DIMENSIONS (NOMINAL)



PANEL CUTOUT DIMENSIONS (ACTUAL)



MOUNTING KIT (KIT #4692, ORDERED SEPARATELY, FIELD ASSEMBLY REQUIRED)



SECTION VIEW OF BOOTH
INTERIOR PANEL SHOWN FOR
ILLUSTRATION PURPOSES ONLY



1-800-854-0021 www.ldpi-inc.com
LDPI® is a registered trademark of LDPI, Inc. © LDPI, Inc.

Product design and specifications subject to change without notice.
Visit www.ldpi-inc.com for the most current version and photometric data. v.02.05.21