

The INS3 Series is a must have when the finish of any surface counts! This fixture is constructed from 20 gauge cold rolled steel and has a powder coated finish. This inspection fixture is designed to create a well defined lamp image using light and dark contrasts that cause defects in the paint to show for ease of defect detection and repair. This fixture is available as a 2', 4' or 8' fixture and is available in a 1, 2, or 3 lamp option. Lamps included.



1 SERIES	2 LAMP TYPE	3 LAMP QUANTITY	4 LENGTH	5 VOLTAGE	6 DIMMING*
INS3	T8: 17W (2 Ft.) 32W (4 Ft.) 59W (8 Ft.)	1L: 1 Lamp 2L: 2 Lamp 3L: 3 Lamp	2: 2 Ft. 4: 4 Ft. 8: 8 Ft.	V1: 120-277V 12: 120V 27: 277V 34: 347V	D1: 0-10V D2: DALI
7 CORD	8 LENS	9 REFLECTOR	10 LAMP**	11 FINISH	
C: 6 Ft. Blunt End Cord CP: 6 Ft. Cord with Twist Lock Plug (Specify voltage 120, 277 or 347)	GC: Clear Glass GS: Clear Glass with Stripes AC: Clear Acrylic AS: Clear Acrylic with Stripes PC: Clear Polycarbonate PS: Clear Polycarbonate with Stripes NL: No Lens	SR: Specular WO: Diffuse White WR: White	3: 3500K 4: 4100K 5: 5000K 6: 6500K***	W: White Powder Coat B: Black Powder Coat S: Special powder coat color (Specify "RAL" number INS special suffix location)	

**NOTES:**

\* 4 Ft. Fixture Only

\*\* Specify three digit code for lamps. Example: For a 3-lamp fixture with two 5000K lamps in the outside positions and a 3500K lamp in the center position the code would be "535".

\*\*\* 2 Ft. and 4 Ft. Lamps Only

**LISTINGS**

UL 1598  
CSA 22.2 No. 250.0  
40°C ambient rating

**FEATURES**

20 Ga. steel with powder coated finish  
Optional dimming ballast for 4 ft fixtures  
Type of dimming must be specified

**LENS**

Clear tempered glass  
Clear tempered glass with stripes  
Clear acrylic  
Clear acrylic with stripes  
Clear polycarbonate  
Clear polycarbonate with stripes

**ELECTRICAL**

120 - 277V  
347V

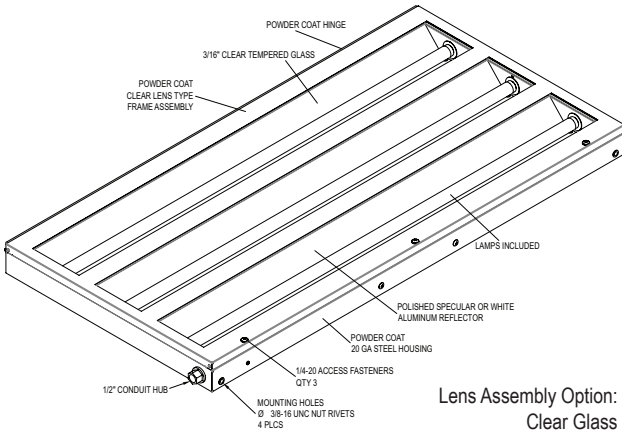
**OPTIONS**

Stationary mount kit (PN: 10315)  
Pivot mount kit (PN: 10314)  
Flush stationary mount kit (PN: 10387)  
6' cord with blunt end  
6' cord with twist lock plug  
(must specify 120, 277 or 347 Volts)  
Dimming options available

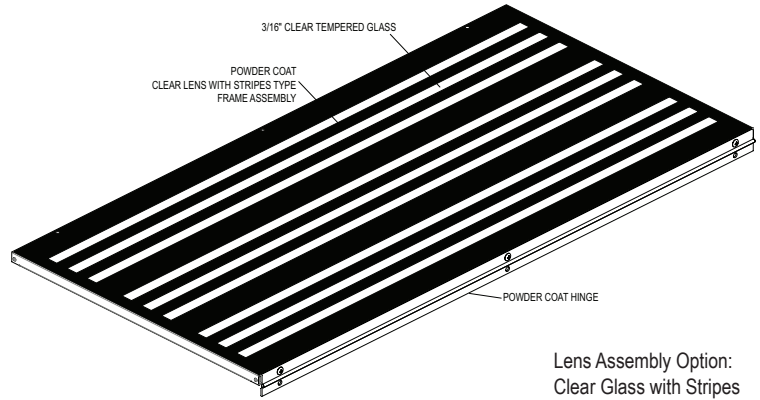
# INS3

## INSPECTION LIGHTING

Paint Inspection • Plastic Inspection • Defect Detection • Finesse Decks • Polish Decks



Lens Assembly Option:  
Clear Glass



Lens Assembly Option:  
Clear Glass with Stripes

### DIMENSIONS

DIMENSIONS			
TYPE	A	B	C
2 Ft. 1 L	26"	9 7/8"	23 3/4"
2 Ft. 2 L	26"	17 7/16"	23 3/4"
2 Ft. 3 L	26"	25"	23 3/4"
4 Ft. 1 L	50"	9 7/8"	47 3/4"
4 Ft. 2 L	50"	17 7/16"	47 3/4"
4 Ft. 3 L	50"	25"	47 3/4"
8 Ft. 1 L	96"	9 7/8"	70"
8 Ft. 2 L	96"	17 7/16"	70"
8 Ft. 3 L	96"	25"	70"

