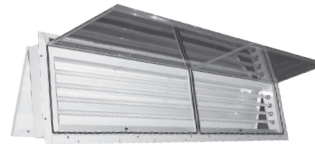


The 280 and 281 Series is a product designed specifically for Paint Spray Booths. With a wider fixture design these products will provide increased photometric output and efficiencies. These 4 lamp 8' fixtures are available in wattages including 59 and 86 watts. The 280 Series allows for both Front and Rear access using a paint spray cutoff switch when either front door frame is opened. The 281 Series is a rear access only fixture and does not require paint spray cutoff. Must be mounted hinge side up. LAMPS SOLD SEPARATELY.



280: Front and rear access



281: Rear access only



SERIES	MODEL #	DESCRIPTION	OPTIONS
280	390280-3281	T8 59W, 8 Ft.	EM: Emergency Battery Backup - T8 5901: 8 Ft. 3-wire Whip (281)
	390280-4854	T8 86W HO, 8 Ft.	
281	390281-3281	T8 59W, 8 Ft.	
	390281-4854	T8 86W HO, 8Ft.	

LISTINGS

UL 844
 CSA 22.2 No. 137.0
 Paint Spray Listed
 UL 1598 Wet / Damp
 CSA 22.2 No. 250.0
 Class I D2 Groups A,B,C,D T3C 160°C
 Class II D2 Groups F,G T3C 160°C
 40°C ambient rating

FEATURES

20 gauge steel construction with white powder coat housing which creates a durable, highly reflective finish.
 Housing styles for either front or rear accessibility in the Series 280, or rear access only in the Series 281.

LENS

3/16" clear tempered glass.

ELECTRICAL

Paint spray cutoff switch for each front door frame access of the Series 280.
 Available in 59 or 86 watts in T8 or T8HO lamps.
 Voltages of 120, and 277 Volts at 50/60Hz

OPTIONS

EM: Emergency battery backup ballast (ETL US only)
 120 or 277V - MUST SPECIFY
 Wire whip 8 Ft. - 5901: 3-wire (281) or 5902: 5-wire (280)
 Mounting Kits - ordered separately
 Panel stiffener kit #1728 (fits 18 gauge panels)

NOTE

Normally open magnetic switches are intended to be used to trigger a relay (furnished by others) which disables the paint system. Because of the small capacity of the switch a solid state relay is recommended. It may be desired by others to utilize a separate power supply to segregate the relay (furnished by others) from the lighting power supply. The magnetic switch IS NOT designed to directly control light operation! The magnetic switch is rated for 10 watts resistive at a maximum of 300 VAC.

CAUTION



Overloading the switch circuits WILL cause failure.
 LDPI, Inc. recommends having a certified electrician/engineer review loads to ensure that overloading of switch does not occur.

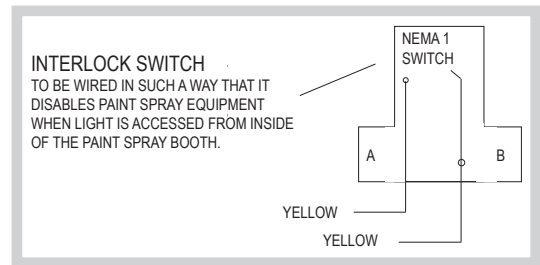
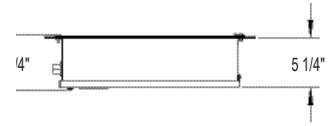
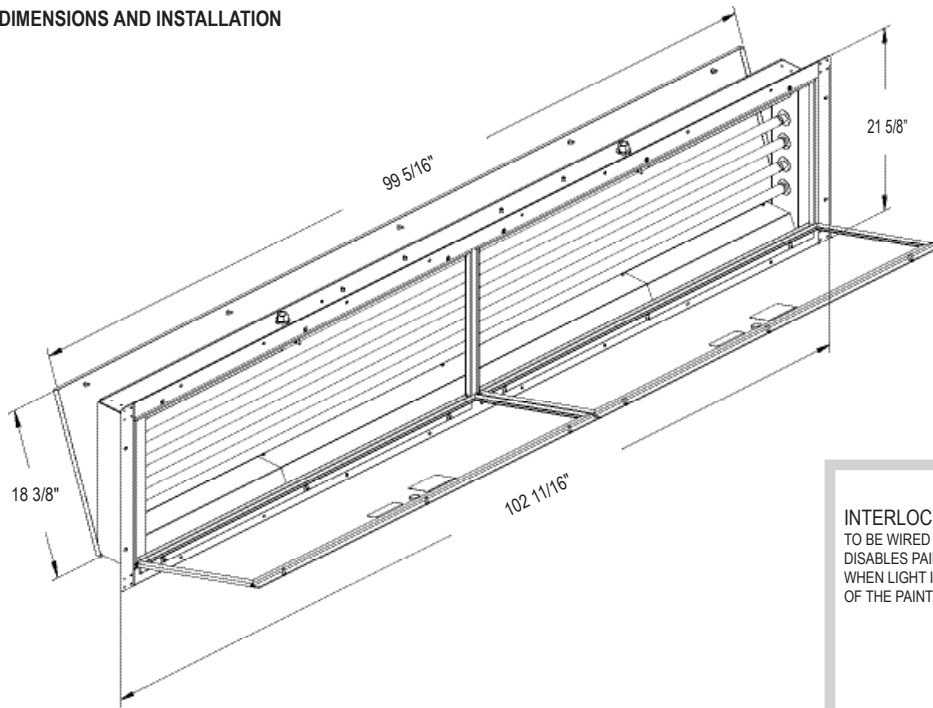
280-281

HAZARDOUS - BOOTH

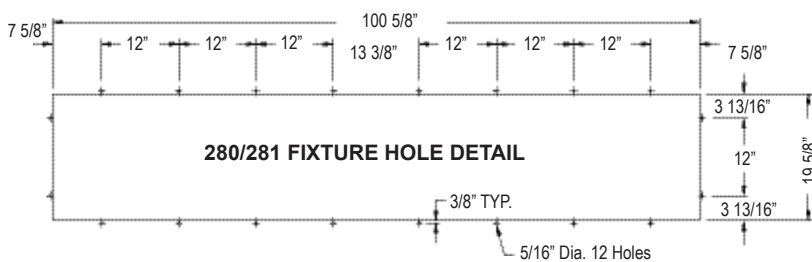
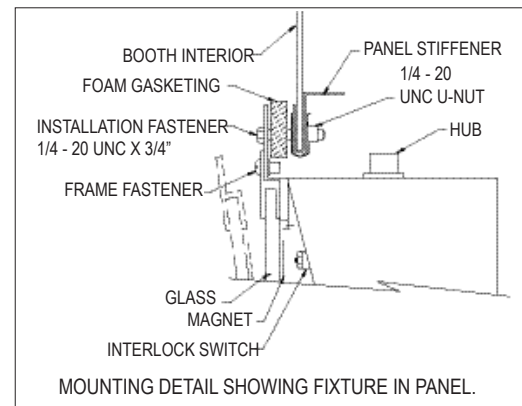
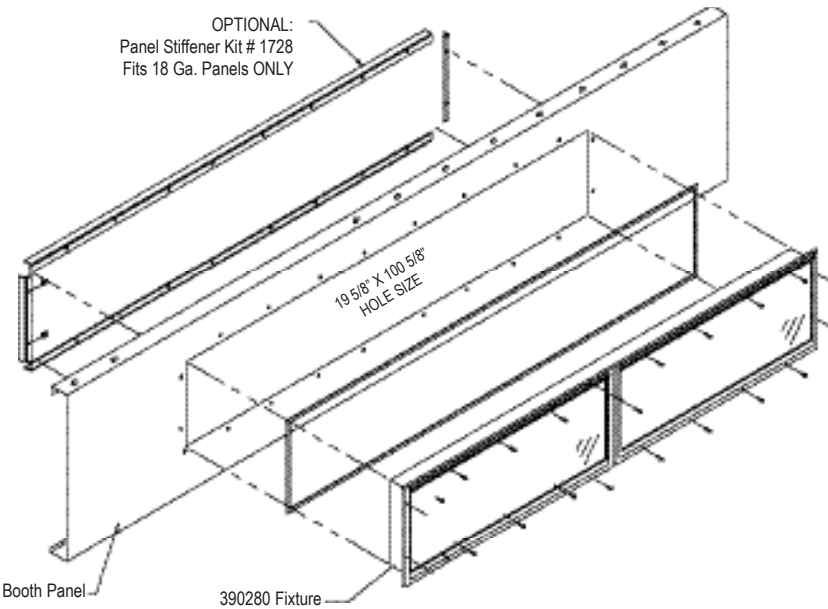
Industrial • Paint and Powder Booths • Blast Booths • Prep, Inspection, Sanding Areas



DIMENSIONS AND INSTALLATION



Part Number: 1728 Panel Stiffener and Interlock Switch



IMPORTANT:

Normally open magnetic switches are intended to be used to trigger a relay (furnished by others) which disables the paint system. Because of the small capacity of the switch, a solid state relay is recommended. It may be desired by others to utilize a separate power supply to segregate the relay (furnished by others) from lighting power supply. The magnetic switch is rated for 10 watts (resistive) at a maximum of 300 VAC. The magnetic switch is NOT designed to directly control light operation.

CAUTION: Overloading the switch circuits will cause failure. LDPI® recommends having a certified electrician/engineer review circuit loads to insure that overloading of switch does not occur.