

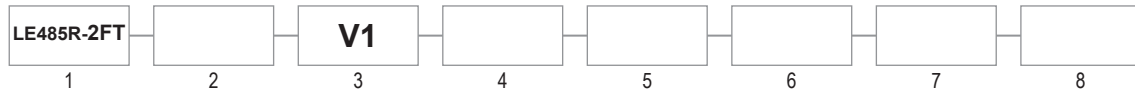


LE485R-2FT

LED BOOTH LIGHTING - REAR ACCESS

Paint and Powder Booths • Blast Booths • Clean Rooms • Prep • Sanding

The LE485R-2FT Series is a hinged, REAR ACCESS, recessed mount, LED paint booth luminaire. The LE485R-2FT is made of a combination of 20 gauge cold rolled steel and .090 aluminum. This LED fixture is available in 2 Ft. lengths with 1, 2, or 3 rows of LED's. This fixture can be used with or without optics, has dimming capabilities, and is available with an EM option.



1 SERIES	2 SOURCE	3 VOLTAGE	4 OPTIC	5 DIMMING	6 CCT	7 WIRE WHIP*
LE485R-2FT	22: 22W (1 Row) 32: 32W (1 Row) 50: 50W (2 Row) 62: 62W (2 Row) 70: 70W (3 Row) 90: 90W (3 Row)	V1: 120-277VAC (50/60Hz)	Blank: None A: Diffused Acrylic	Blank: None D1: 0-10V D2: DALI	3: 3,500K 4: 4,000K 5: 5,000K	Blank:None WH: Wire Whip (10ft.) *3-wire wire whip standard. Total number of leads dependent on options ordered.
8 OPTIONS						
SP: Surge Protector (430 joules) EM: Battery/Driver Backup (90min.)						

CERTIFICATIONS

UL844 / CSA-C22.2 No.137 (Hazardous)
 CI D2, Grps A,B,C,D
 CII D2, Grps F,G
 Paint Spray Listed
 T Code: CI D2, CII D2=T3C
 UL1598 / CSA-C22.2 No.250 (Wet/Damp)
 Lumen Maintenance (L70) >54,000 hrs. (reported)
 CRI >80
 -25°C to 55°C Ambient

CONSTRUCTION

20 gauge white powder coated steel housing
 Hinged, rear access panel
 Silicone free gaskets
 2 Ft. length
 Diffused acrylic optic (optional)
 Clear, tempered glass lens access panel
 1/2" NPT Hub(s)
 Weights: Min: 23lbs. / Max: 43lbs.

ELECTRICAL

120-277VAC
 10Ft. 3-wire whip (standard)
 6kV Built-in driver surge protection

FEATURES

0-10V Dimming or DALI
 Recess mount - Rear access
 Withstands up to 71°C bake cycle for 90 minutes with fixture
 power interlock off
 Emergency/Battery backup option available
 5 year warranty

PERFORMANCE

Source	Voltage (VAC) 50/60Hz	Input Current (A)	Wattage (W)	CCT	Lumen Output* (Lm)	
					No Optic	Diffused Acrylic Optic
22 (1 Row)	120-277	.18-.07	22	3,500K	2705	2205
				4,000K	2750	2250
				5,000K	2800	2290
32 (1 Row)	120-277	.27-.12	32	3,500K	3830	3070
				4,000K	3910	3135
5,000K				3950	3165	
50 (2 Rows)	120-277	.42-.18	50	3,500K	6345	5025
				4,000K	6475	5180
				5,000K	6540	5230
62 (2 Rows)	120-277	.52-.22	62	3,500K	7685	6180
				4,000K	7845	6305
				5,000K	7925	6370
70 (3 Rows)	120-277	.58-.25	70	3,500K	9335	7470
				4,000K	9530	7625
				5,000K	9625	7700
90 (3 Rows)	120-277	.75-.32	90	3,500K	11500	9315
				4,000K	11735	9510
				5,000K	11855	9605

*These products are Manufactured in the USA with both domestic and imported components; not all fixture configurations are compliant. Contact LDPI Sales with specific part number and requirement - Build America, Buy America, TAA or any other federal procurement act for compliance confirmation. Compliance confirmation can take up to 3 days.

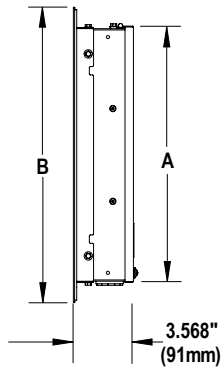
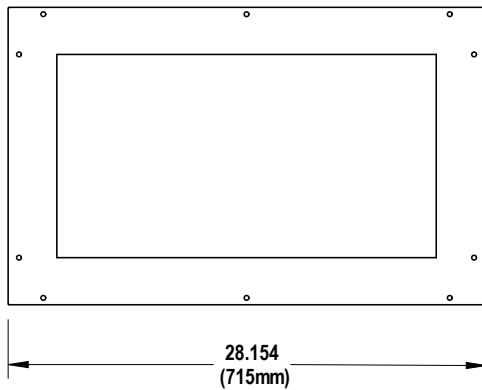
LE485R-2FT

LED BOOTH LIGHTING - REAR ACCESS

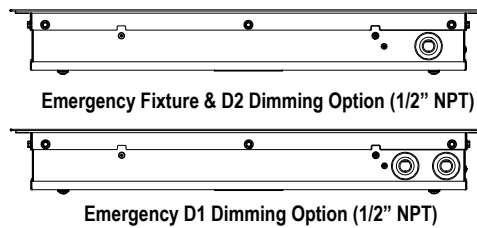
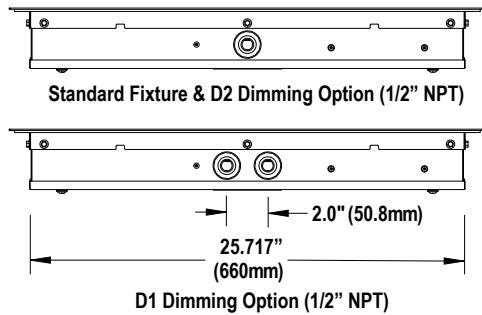
Paint and Powder Booths • Blast Booths • Clean Rooms • Prep • Sanding



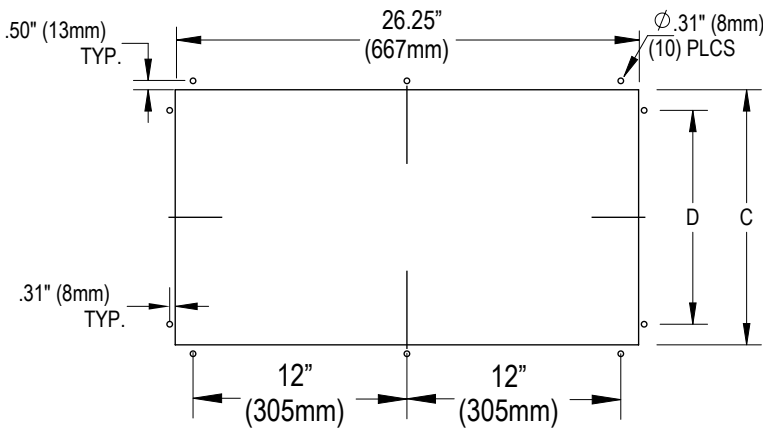
DIMENSIONS



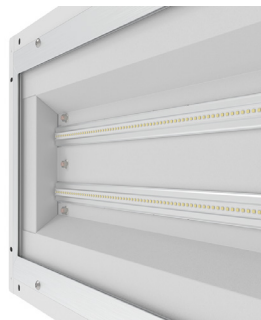
Source	Dimensions* (in./mm)	
	A	B
22W / 32W (1 Row)	10.219" (260mm)	13.065" (319mm)
50W / 62W (2 Row)	15.219" (387mm)	18.065" (446mm)
70W / 90W (3 Row)	20.219" (514mm)	23.065" (573mm)



PANEL CUTOUT DIMENSIONS



Source	Dimensions* (in./mm)	
	C	D
22W / 32W (1 Row)	10.75" (273mm)	7" (178mm)
50W / 62W (2 Row)	15.75" (400mm)	12" (305mm)
70W / 90W (3 Row)	20.75" (527mm)	17" (432mm)



No Optic



A. Diffused Acrylic Optic



1-800-854-0021 www.ldpi-inc.com
LDPI® is a registered trademark of LDPI, Inc. © LDPI, Inc.

Product design and specifications subject to change without notice.
Visit www.ldpi-inc.com for the most current version and photometric data. v.03.26.26