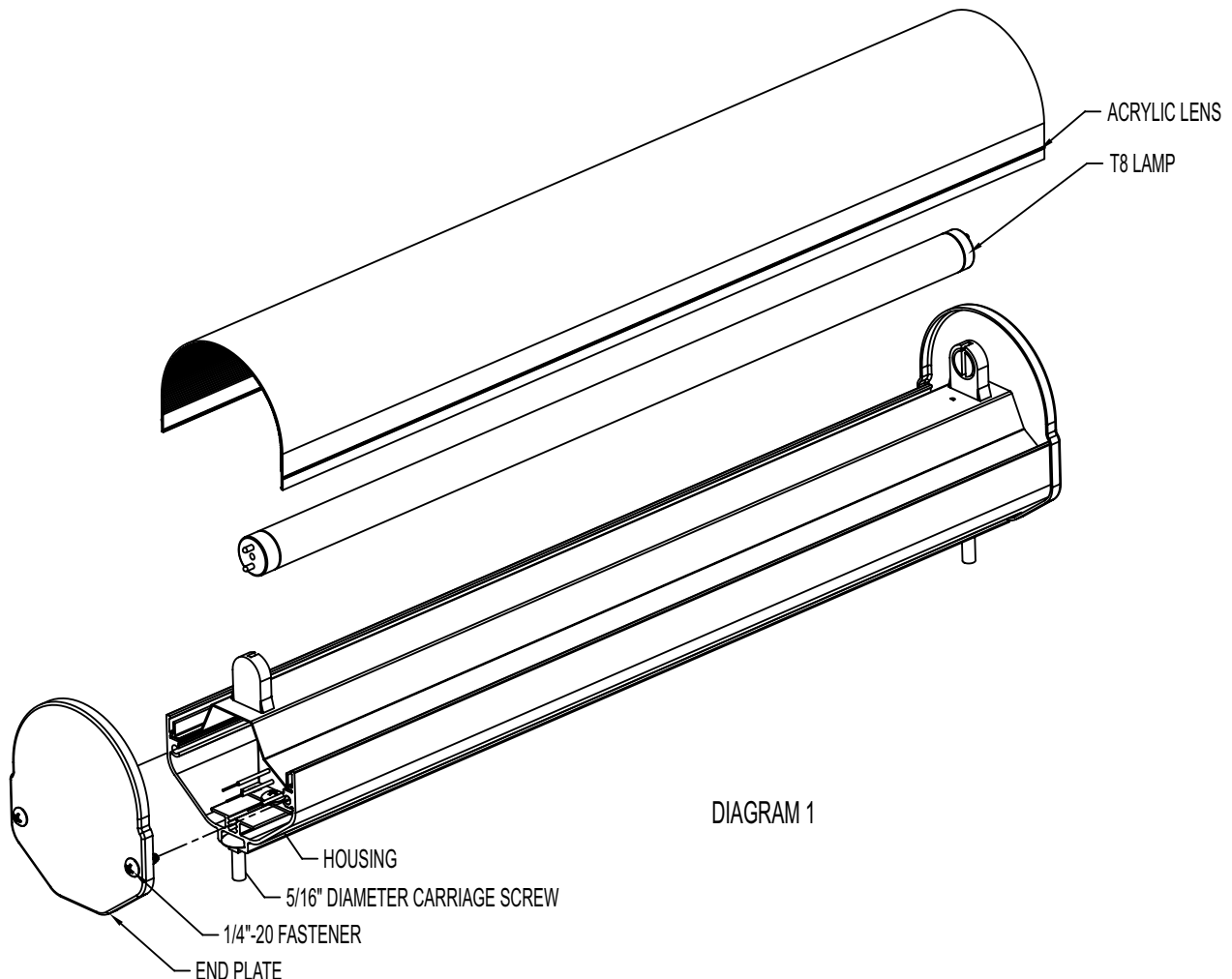


# ... INSTALLATION INSTRUCTIONS FOR THE FLUORESCENT SURFACE INSPECTION LIGHT ...

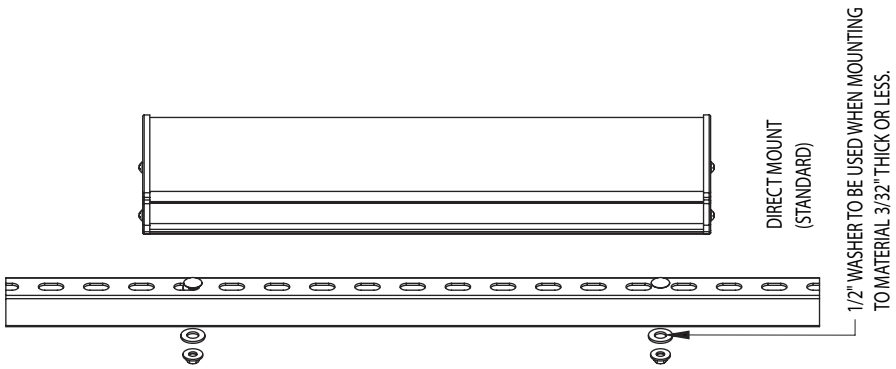
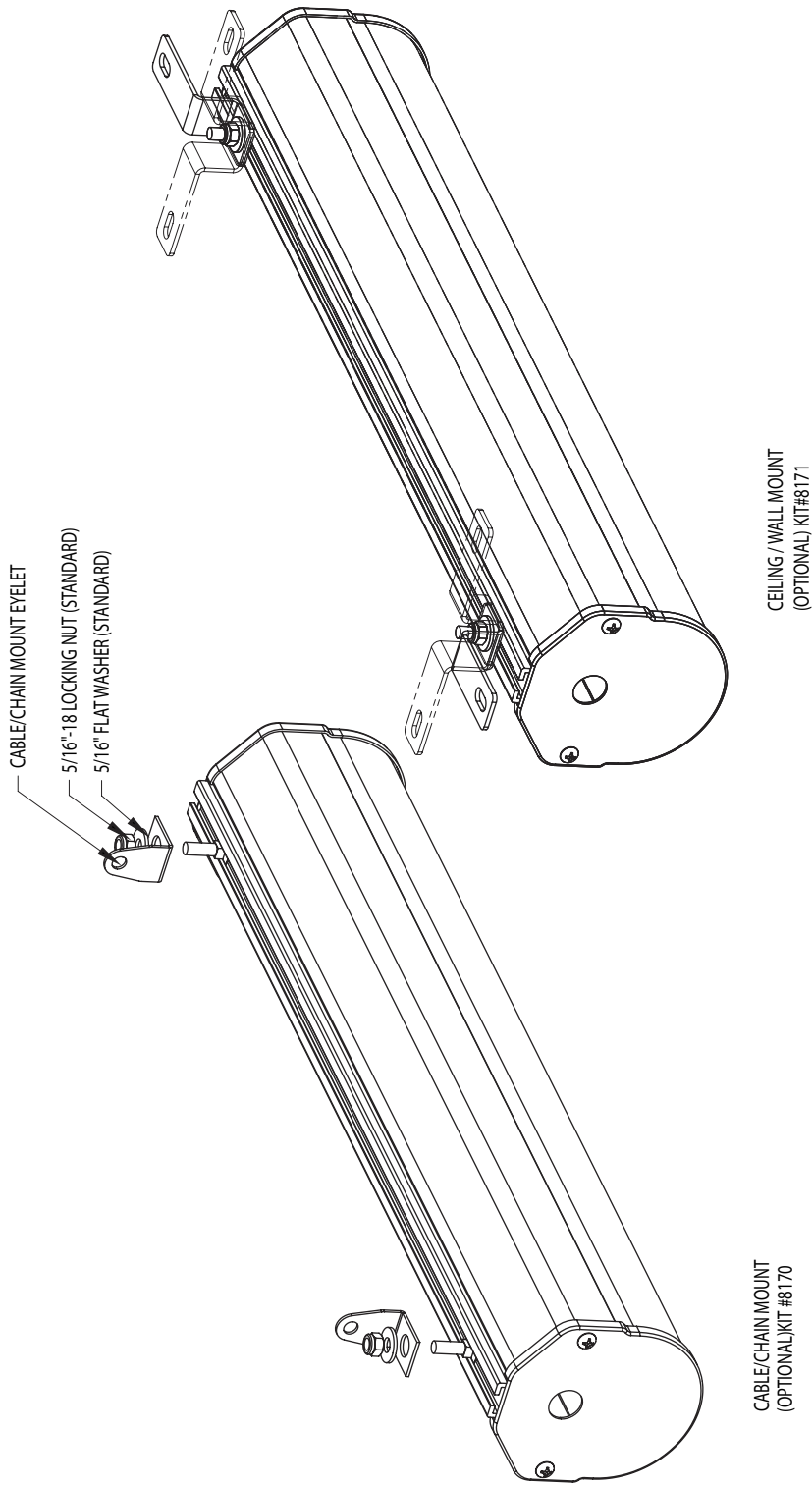
**\* FOR ASSEMBLY OF 12' AND 16' FIXTURES, PROCEED TO PAGE 3.**

1. REMOVE 1 OF 2 END PLATES BY REMOVING THE TWO 1/4"-20 FASTENERS THAT ATTACH THE END PLATE TO THE HOUSING.
2. INSERT (2) 5/16" DIAMETER CARRIAGE SCREWS (NOT INCLUDED) INTO THE HOUSING CARRIAGE SCREW TRACK (REFER TO DIAGRAM 1 BELOW).
3. ATTACH THE END PLATE REMOVED IN STEP 1.
4. INSTALL MOUNTING BRACKETS (IF APPLICABLE) SEE PAGE 2.

**WARNING: TO PREVENT THE RISK OF ELECTRICAL SHOCK, DISCONNECT THE POWER SUPPLY BEFORE INSTALLING OR SERVICING FIXTURE. THIS FIXTURE SHOULD BE INSTALLED BY QUALIFIED TECHNICIANS IN STRICT ACCORDANCE WITH NATIONAL AND LOCAL ELECTRIC CODES.**

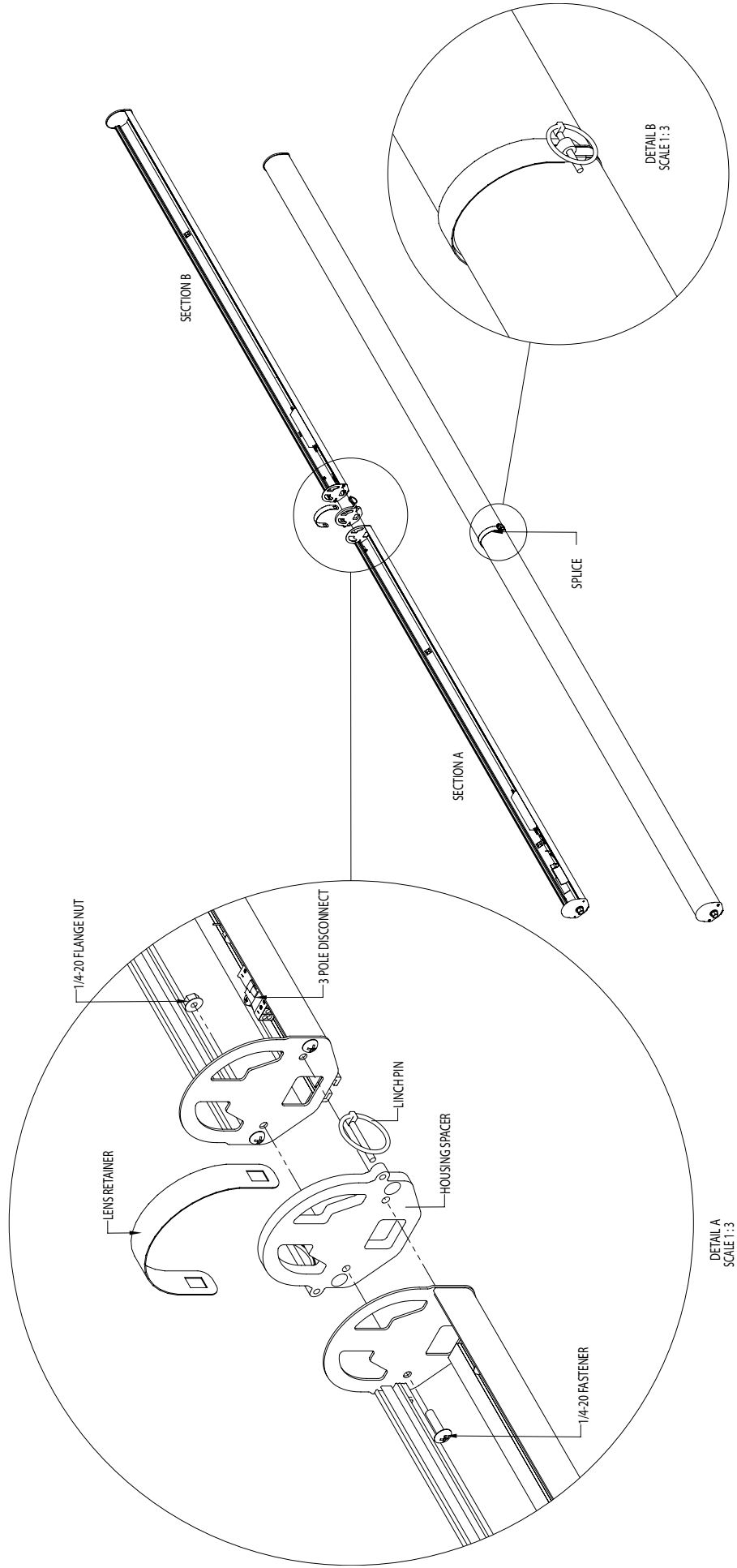


# INSTALL MOUNTING BRACKETS



## 12' & 16' FIXTURE ASSEMBLY

1. REMOVE THE ACRYLIC LENS BY SQUEEZING THE TOP OF THE LENS BETWEEN YOUR THUMB AND MIDDLE FINGER WHILE PULLING THE LENS AWAY FROM THE HOUSING..
2. REMOVE LAMPS.
3. GENTLY SLIDE THE REFLECTOR AWAY FROM THE SPLICE APPROXIMATELY 5" FOR EACH SECTION. THE REFLECTOR CAN ALSO BE REMOVED BY SQUEEZING THE REFLECTOR AND LIFTING ONE SIDE OUT OF HOUSING REFLECTOR TRACK.
4. INSERT 5/16" DIAMETER CARRIAGE SCREWS (NOT INCLUDED) INTO HOUSING CARRIAGE SCREW TRACK (REFER TO DIAGRAM 1). IT IS HIGHLY RECOMMENDED TO PLACE THE CARRIAGE SCREWS ON BOTH ENDS OF EACH SECTION TO MINIMIZE THE STRESS ON THE SPLICE
5. ATTACH SECTIONS TOGETHER WITH THE SUPPLIED 1/4"-20 FASTENERS AND FLANGE NUTS (REFER TO DETAIL A BELOW).
6. CONNECT THE ELECTRICAL 3-POLE DISCONNECT SECTIONS TOGETHER.
7. MOVE THE REFLECTORS BACK INTO POSITION.
8. INSERT LAMPS
9. ATTACH THE ACRYLIC LENS BY PLACING THE CORNERS OF THE LENS IN THE TOP CHANNEL OF THE HOUSING. SLIDE THE LENS UNDER THE EXISTING END CAP FLANGE AND PRESS DOWN FIRMLY ON THE TOP OF THE LENS TO SNAP IN PLACE.
10. INSERT LENS RETAINER OVER THE HOUSING SPACER AND LOCK IN TO PLACE WITH LINCH PINS (REFER TO DETAIL A AND B BELOW).
11. INSTALL MOUNTING BRACKETS (IF APPLICABLE) REFER TO PAGE 2.



DETAIL A  
SCALE 1:3

DETAIL B  
SCALE 1:3