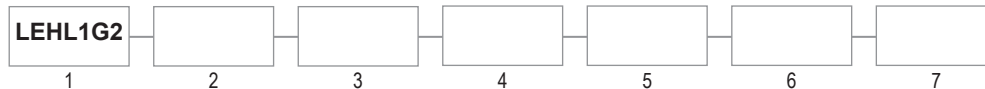


The LEHL1G2 is designed and listed for hazardous, marine, and wet locations. This product is ideal for replacing High Pressure Sodium (HPS) and Metal Halide (MH) fixtures for increased energy savings and maintenance.



1 SERIES	2 SOURCE	3 VOLTAGE	4 CCT	5 OPTICS / BEAM	6 LENS	7 COLOR
LEHL1G2	L1: 35W (V1 only) L2: 40W (V2 only) L3: 45W (V1 only) L4: 55W (V1 only) L5: 60W (V2 only) L6: 65W (V1 only)	V1: 120-277VAC (50/60Hz) V2: 347-480VAC (50/60Hz)	3: 3,000K 4: 4,000K 5: 5,000K	V120: 120° TYPE V V60*: 60° TYPE V *Clear Glass Only	C: Clear D: Diffused DL: Diffused Drop Lens	PG: Gray

CERTIFICATIONS

UL844 / CSA-C22.2 No.137 (Hazardous)
 CI D2, Grps A,B,C,D
 CII D1, Grps E,F,G
 CII D2, Grps F,G
 CIII
 Simultaneous Presence
 T-Codes: CID2=T4A / CIID1=T5 / CIID2=T5
 UL1598 / CSA-C22.2 No.250 (Wet/Damp)
 UL1598A (Marine Outside)
 Lumen Maintenance (L70) >54,000 hrs. (reported)
 CRI >70
 -40°C to 60°C Ambient
 NEMA 3 and NEMA 4X
 IP66
 FCC

CONSTRUCTION

Copper-free cast aluminum housing
 Powder coat gray
 All exposed fasteners are stainless steel (SS316)
 (5) 3/4" NPT Hubs
 Weight: 11 lbs.

ELECTRICAL

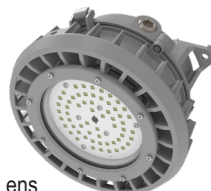
120-277 / 347-480VAC
 10Kv surge protector built in - Standard
 3Ft 3-Wire whip standard, factory installed

FEATURES

High lumen output up to 150 Lm/W
 0-10V Dimming
 5G Vibration Rating
 Thermal shock and impact resistant lens
 Mounting: Wall (Floor), Stanchion, Ceiling, Pendant, Pole
 5 Year Warranty

PERFORMANCE

Source	Voltage (VAC) 50/60Hz	Input Current (A)	Wattage (W)	CCT	Lumen Output* (Lm)			
					Clear Lens 120°	Clear Lens 60°	Diffused Lens 120°	Drop Lens 120°
L1	120-277	.29 - .13	35	3,000K	5,070	5,270	4,550	4,580
				4,000K	5,280	5,490	4,740	4,770
				5,000K				
L2	347-480	.12 - .08	40	3,000K	6,115	6,440	5,500	5,530
				4,000K	6,370	6,710	5,730	5,760
				5,000K				
L3	120-277	.38 - .16	45	3,000K	6,480	6,770	5,830	5,820
				4,000K	6,750	7,050	6,070	6,060
				5,000K				
L4	120-277	.45 - .20	55	3,000K	8,440	8,900	7,590	7,580
				4,000K	8,790	9,270	7,910	7,900
				5,000K				
L5	347-480	.17 - .13	60	3,000K	9,740	10,220	8,640	8,720
				4,000K	10,150	10,650	9,000	9,080
				5,000K				
L6	120-277	.54 - .23	65	3,000K	10,330	10,870	9,250	9,240
				4,000K	10,760	11,320	9,640	9,630
				5,000K				



Clear Lens



Diffused Lens



Globe Lens

LEHL1G2

HAZARDOUS LOCATION

Chemical Processing • Industrial • Oil / Gas • Shipyards / Marine • Water Treatment



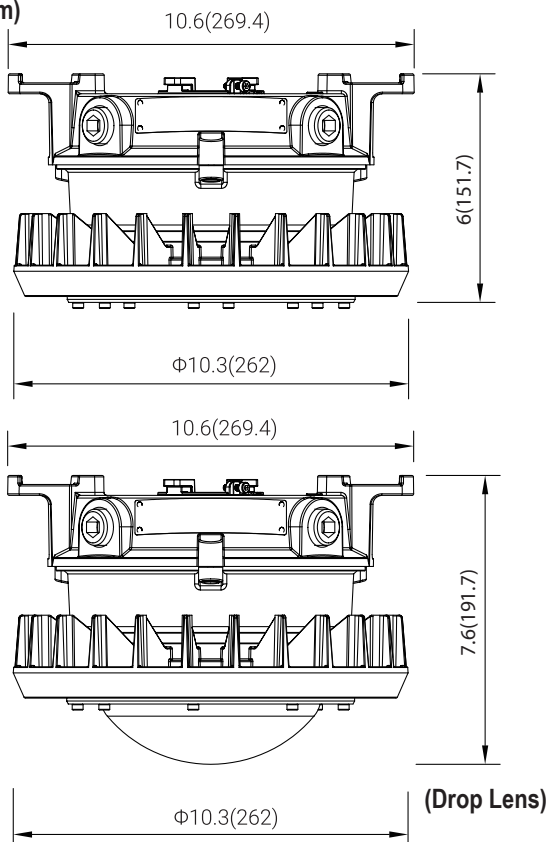
UNIVERSAL MOUNTING ACCESSORIES (Field Installed, Order Separately)	
Part Number	Description
WL90-M	Wall Mount - 90° Gray Painted A356 Aluminum AL
WL25-M	Wall Mount - 25° Gray Painted A356 Aluminum AL
SN2503	Stanchion Mount - 25°: 1.25" NPT Gray Painted A356 Aluminum AL
SN2504	Stanchion Mount - 25°: 1.50" NPT Gray Painted A356 Aluminum AL
SN9003	Stanchion Mount - 90°: 1.25" NPT Gray Painted A356 Aluminum AL
SN9004	Stanchion Mount - 90°: 1.50" NPT Gray Painted A356 Aluminum AL
UB01	U-Bracket 304 Stainless Steel
SN01	Slip Fitter Mount Bracket (Powder Coated Grey) Fits 2 3/8" (60mm) Outside Diameter Stanchion (non-adjustable) Includes 316SS Hardware Note: Requires UB01 U-Bracket

ACCESSORIES - (Field Installed, Order Separately)	
Part Number	Description
WG02	Stainless steel wire guard (flat lens) (SS304)
WG06	Stainless steel wire guard (Diffused drop lens) (SS304)
VIS-25	Visor 25°, Aluminium alloy, Powder Coated Grey
VIS-90	Visor 90°, Aluminium alloy, Powder Coated Grey
PH01	Pendant Hook w/ 3/4" NPT Stainless Steel 316 33mm / 1.3in Eye Diameter
PC01	Pole Mount Pipe Clamp Kit (Requires UB01) Stainless Steel 1-7/8" Dia. Includes: 2 Clamps
PC02	Pole Mount Pipe Clamp Kit (Requires UB01) Stainless Steel 2-3/8" Dia. Includes: 2 Clamps
COGL-03	3ft Cord with pre-installed gland. Rated for CID2 only.
COGL-10	10ft Cord with pre-installed gland. Rated for CID2 only.

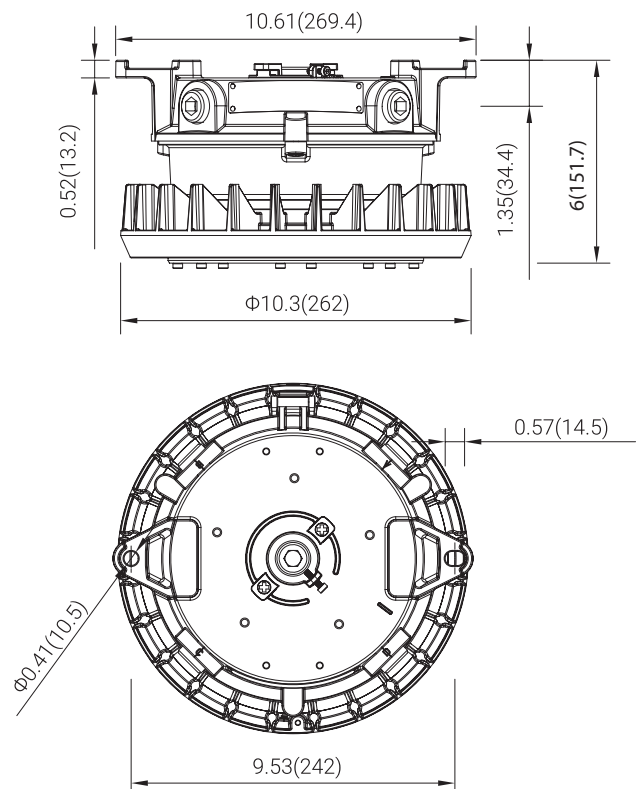
DIMENSIONS

Pendant

Unit: in(mm)



Ceiling





LEHL1G2

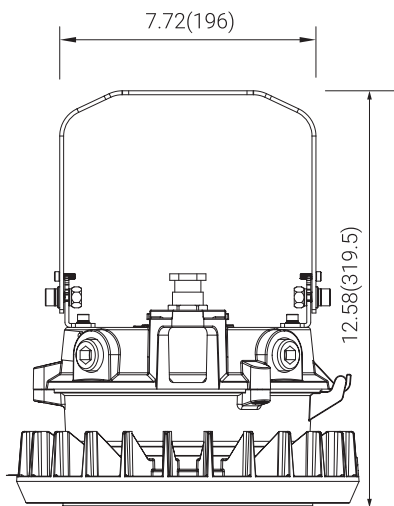
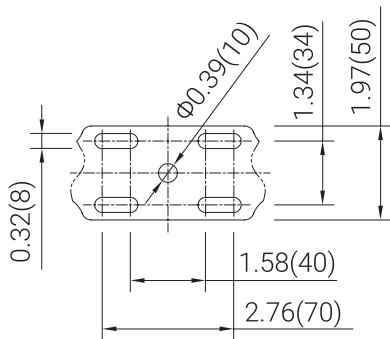
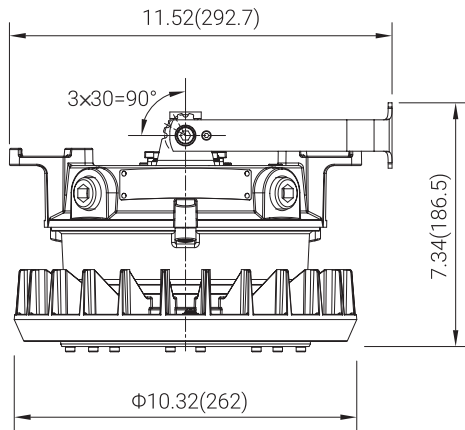
HAZARDOUS LOCATION

Chemical Processing • Industrial • Oil / Gas • Shipyards / Marine • Water Treatment

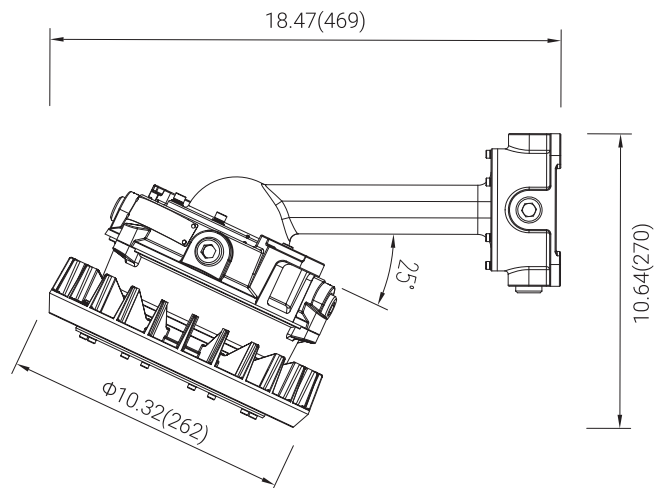
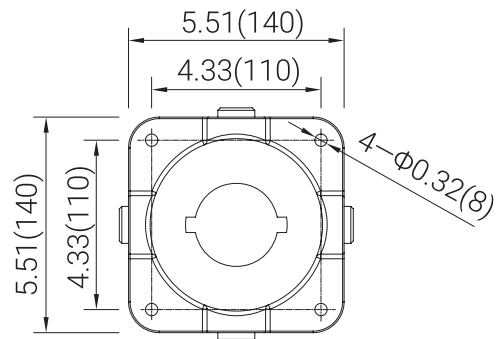
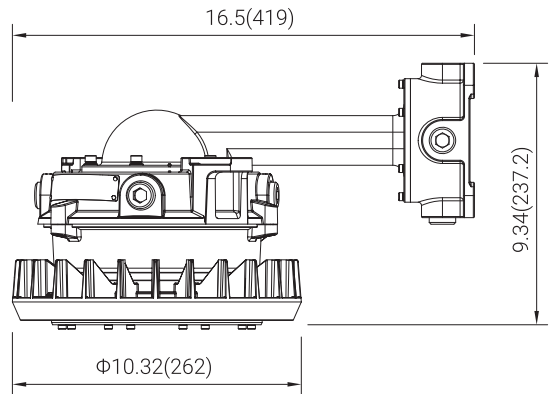
DIMENSIONS

Unit: in(mm)

Yoke



Wall





LEHL1G2

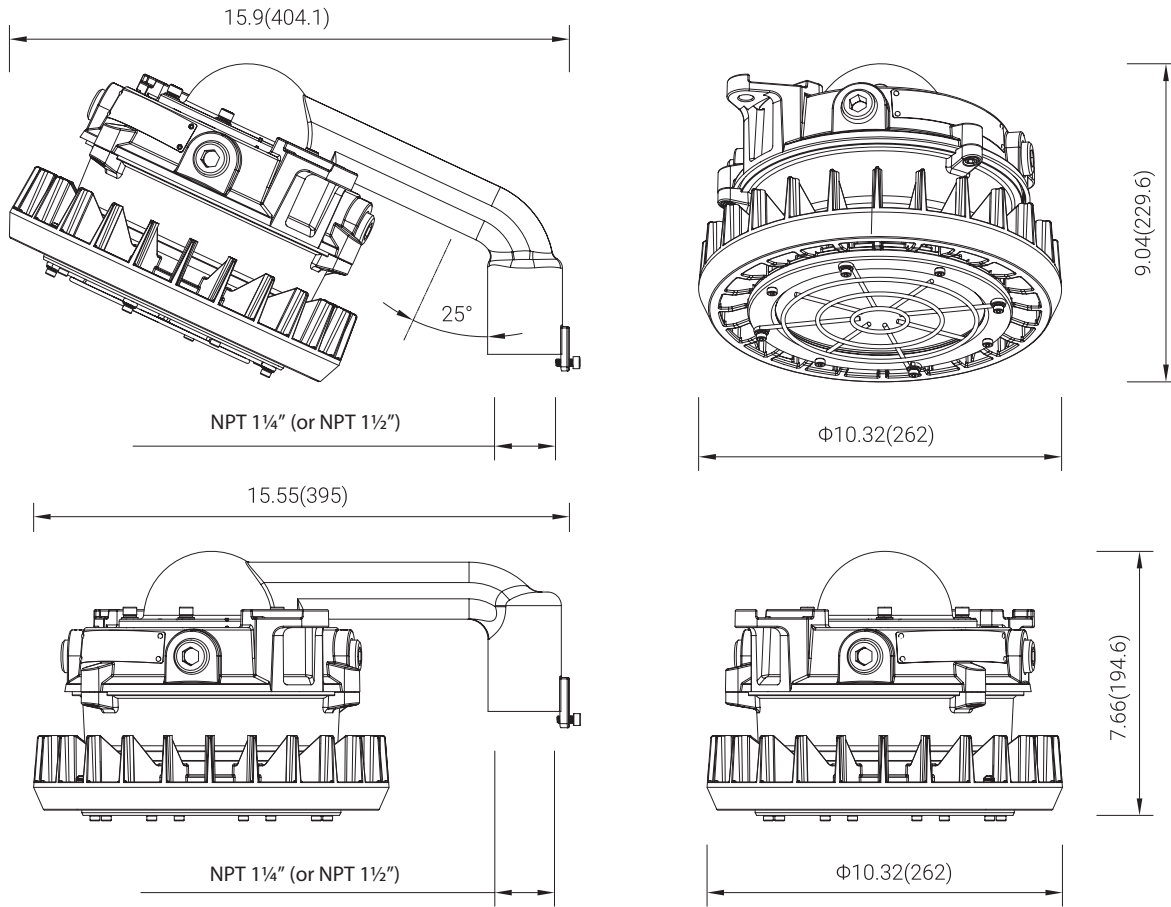
HAZARDOUS LOCATION

Chemical Processing • Industrial • Oil / Gas • Shipyards / Marine • Water Treatment

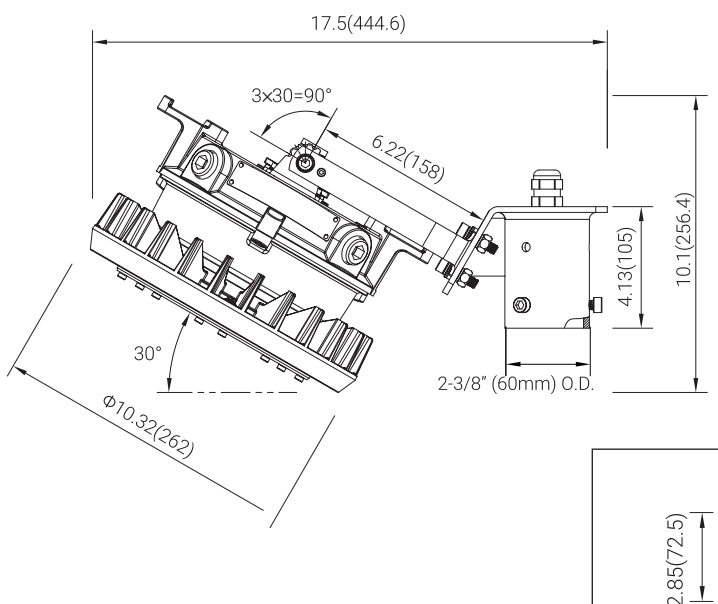
DIMENSIONS

Unit: in(mm)

Stanchion



Slip Fitter / Pole



Pipe Clamp

