

# HID XP SERIES

## EXPLOSION PROOF LIGHTING

DATE: \_\_\_\_\_ PROJECT MGR: \_\_\_\_\_

JOB: \_\_\_\_\_

PN: \_\_\_\_\_





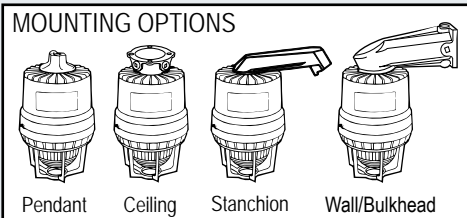
### APPLICATIONS

Paint Spray Booths  
Grain Elevators  
Petrochemical Plants  
Chemical Plants  
Marine Applications  
Hose-Down Locations  
Laboratory Applications

The HID XP Series has a powder coat finish over a cast copper-free aluminum housing designed for explosive and hazardous environments. The product is available in HPS (high pressure sodium) (50 to 400 watts) and MH (metal halide) (70 to 400 watts). This series is perfect for explosive and hazardous environments such as grain elevators, petrochemical plants, paint spray booths (100 watts max) and marine environments that call for Class I, Div. 1, Groups C and D or Class II, Div. 1 and 2, Groups E, F and G, UL 844 and 1598A listings. The HID XP Series also has an assortment of options from reflector choices, auxiliary quartz lamp and a 3-sided exit sign attachment. Don't forget the UNIPAK® option that provides a fully assembled product for ease of installation!

### SPECIFICATIONS

LISTINGS:	UL 844	 
	CSA 22.2 No. 137.0	
	UL 1598A Marine Outside	
	Class I D1 Groups C,D	T rating see chart
	Class II D1 Groups E,F,G	T rating see chart
	Class II D2 Groups E,F,G	T rating see chart
	NEMA 4X	
ELECTRICAL:	HPS: (50 to 400 watts) MH: (70 to 400 watts)	
FEATURES:	HID explosion proof fixture Mogul base - except for 150 watt metal halide lamps that are medium base 50-400W Voltages: 120, 208, 240, 277, 347, and 480	
HOUSING:	Cast copper-free aluminum with powder coated finish Standard color beige.	
GUARD:	Cast guard	
REFLECTOR:	Choice of standard dome, deep dome, angle reflectors.	
MOUNTING:	Pendant, ceiling, stanchion or wall/bulkhead mount	



### EXPLOSION PROOF LIGHTING

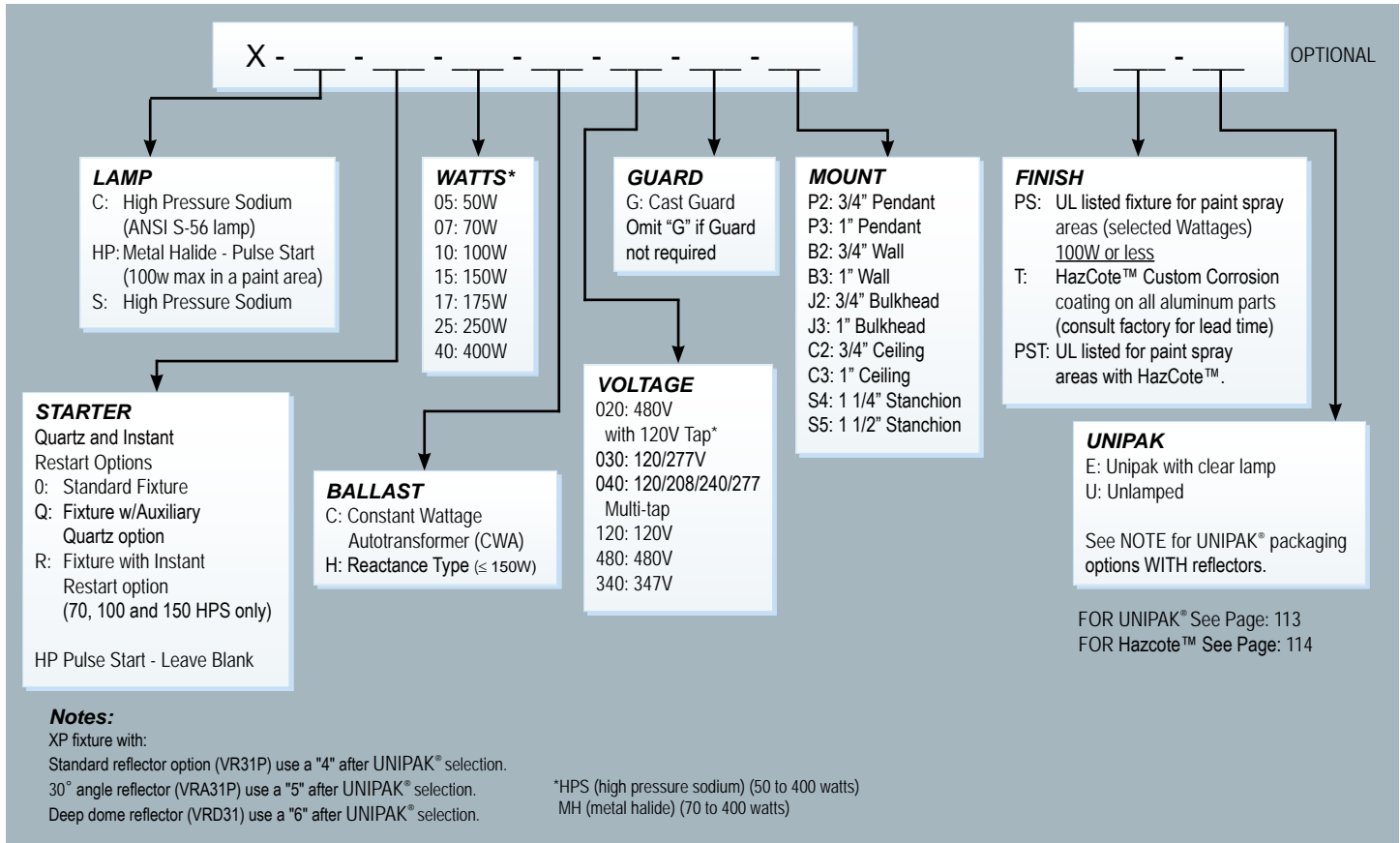


# HID XP SERIES

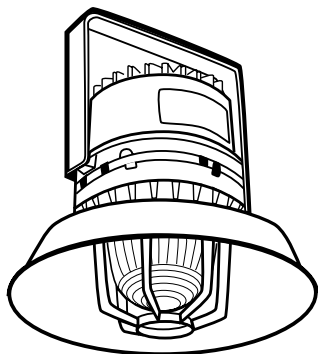
## EXPLOSION PROOF LIGHTING



www.ldpi-inc.com



### FLOODLIGHT (Trunnion Mount) Class I, Div. 1 (consult factory for T-ratings)



NOTE: Fixture shown with Dome Reflector and Guard. These are not included in the catalog number. Please see HID XP Accessories specific to Floodlighting.

#### LAMP TYPE/WATTS

##### HIGH PRESSURE SODIUM

50  
70  
100  
150  
250  
400

##### METAL HALIDE

175  
250  
400

#### CATALOG NUMBER:

Includes: Fixture, trunnion and 3/4" conduit

XS005H030  
XS007H040-G-P2TRE  
XS010H040-G-P2-TRE  
XS015H040-G-P2TRE  
XS025C040-G-P2TRE  
XS040C040-G-P2TRE

XHP17C040-G-P2TRE  
XHP25C040-G-P2TRE  
XHP40C040-G-P2TRE

#### HID XP SERIES FLOODLIGHT ACCESSORIES

##### ACCESSORIES

Angle Reflector  
Dome Reflector  
Cast Guard  
Cast Guard  
Pole-Top Mount

##### CATALOG NUMBER

VRA31  
VR31  
XGU44 (50-150 H.P.S., 175/250 M.H. or 100-250 M.V.)  
VGU 31 (250/400 H.P.S., 400 M.V. or 400 M.H.)  
9902 (slipfitter mounting). Fits 2" or 2 1/2" pipe  
(2" pipe intrudes 3 1/16"; 2 1/2" pipe intrudes 2 3/4".)  
Furnished with mounting bolts set screws





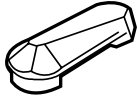
# HID XP SERIES






www.ldpi-inc.com

## EXPLOSION PROOF LIGHTING


### OUTLET BOXES

Mounting Style	Hub Size	Cat. No.
Pendant 	3/4" 1"	XP2 XP3
Ceiling 	3/4" 1"	XC2 XC3
Wall 	3/4" 1"	XB2 XB3
Bulkhead 	3/4" 1"	XJ2 XJ3
Stanchion 	1 1/4" 1 1/2"	XS2 XS3

REFLECTORS	Cat. No.	Description
	VR31P	Standard dome Fiberglass reinforced polyester
	VRD31	Deep dome steel with anodized aluminum finish
	VRA31P	30° angle reflector Fiberglass reinforced polyester

**NOTE:**

H or XP fixture with the "R" or "L" ballast housing:  
 Standard reflector option (VR31P) use a "4" after UNIPAK® selection.  
 30° angle reflector (VRA31P) use a "5" after UNIPAK® selection.  
 Deep dome reflector (VRD31) use a "6" after UNIPAK® selection.

GUARDS	Cat. No.	Description
	XGU44	Cast aluminum, powder finish
	VGU31	Used on all 400 watt fixtures and 250 watt HPS and MH fixtures. Cast aluminum, powder finish

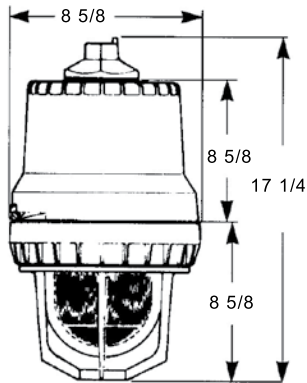
REPLACEMENT GLOBES	Cat. No.	Description
	XGSA44	Replacement globe assembly 50-250 watts
	XGSA44A	Replacement globe assembly 400 watts

# HID XP SERIES

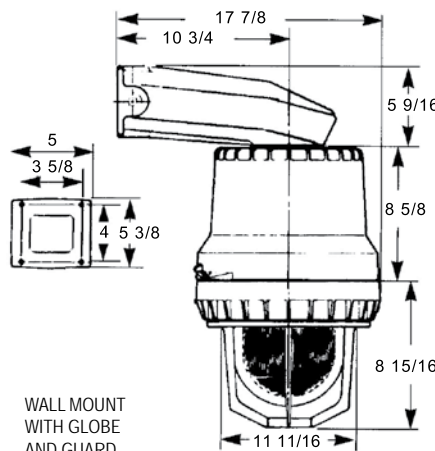
## EXPLOSION PROOF LIGHTING



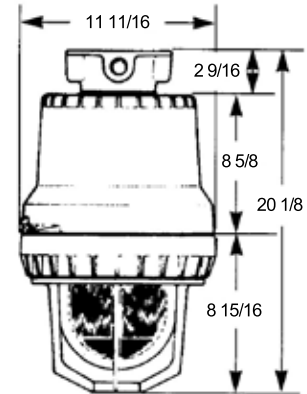
www.ldpi-inc.com



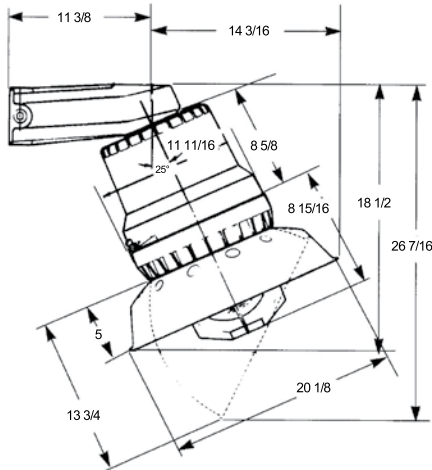
PENDANT MOUNT  
WITH GLOBE AND GUARD



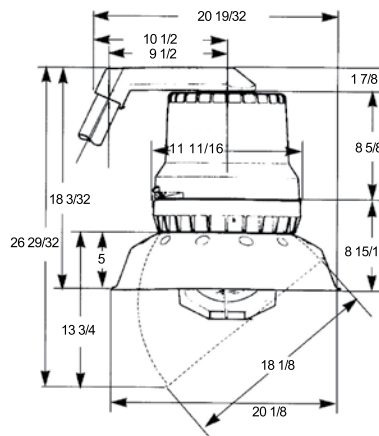
WALL MOUNT  
WITH GLOBE  
AND GUARD



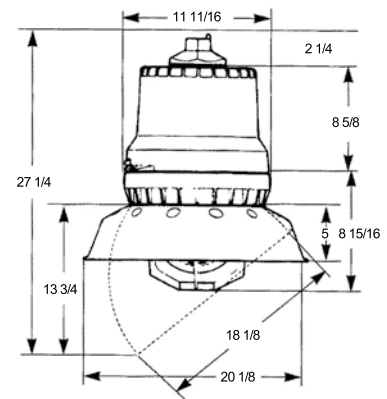
CEILING MOUNT  
WITH GLOBE AND GUARD



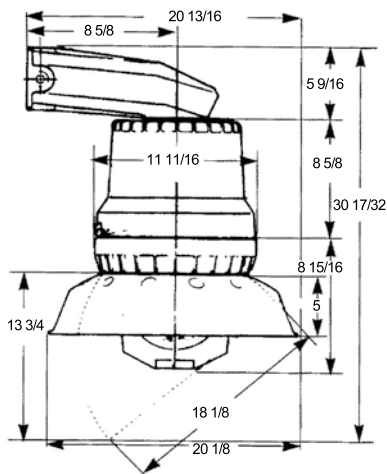
BULKHEAD MOUNT  
WITH GLOBE, GUARD AND REFLECTOR



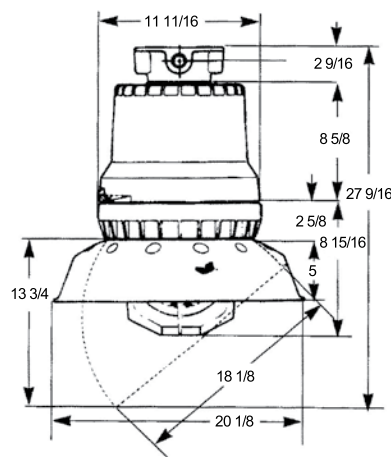
STANCHION MOUNT  
WITH GLOBE, GUARD AND REFLECTOR



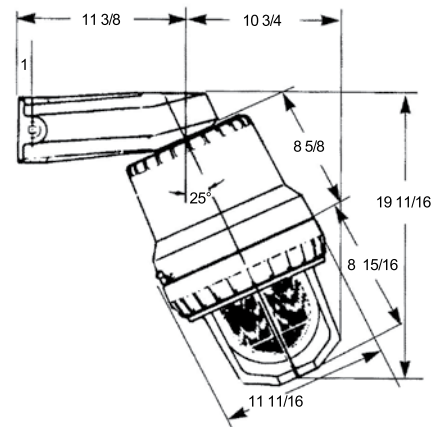
PENDANT MOUNT  
WITH GLOBE, GUARD AND REFLECTOR



WALL MOUNT  
WITH GLOBE, GUARD AND REFLECTOR



CEILING MOUNT  
WITH GLOBE, GUARD AND REFLECTOR



BULKHEAD MOUNT  
WITH GLOBE AND GUARD

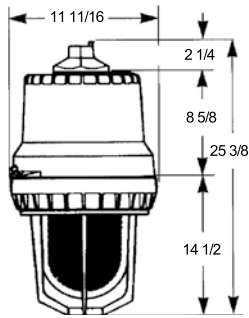
# HID XP SERIES

## EXPLOSION PROOF LIGHTING

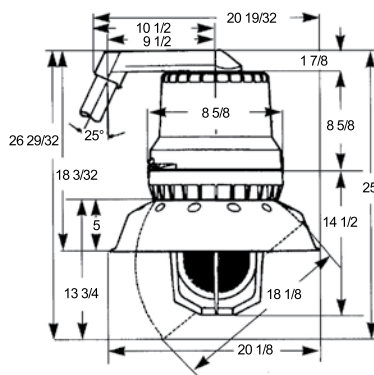


www.ldpi-inc.com

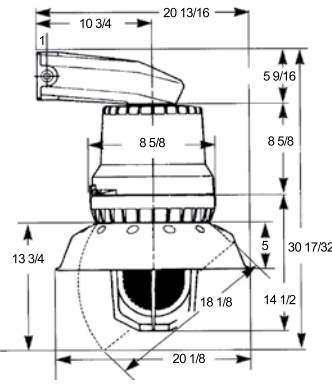
### HID XP SERIES EXPLOSION PROOF (400 SERIES) FIXTURES



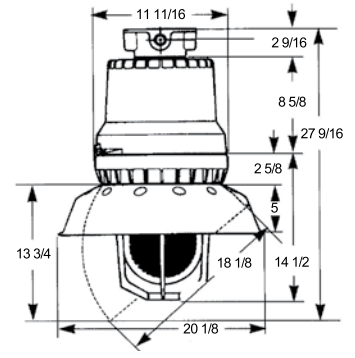
PENDANT MOUNT WITH  
GLOBE AND GUARD



STANCHION MOUNT WITH  
GLOBE, GUARD AND REFLECTOR



WALL MOUNT WITH  
GLOBE, GUARD AND REFLECTOR



CEILING MOUNT WITH  
GLOBE, GUARD AND REFLECTOR

# HID XP SERIES



www.ldpi-inc.com

## EXPLOSION PROOF LIGHTING

### HID XP SERIES CERTIFICATION GUIDE (40°C AMBIENT)

FITTURE TYPE	WATTS	CLASS I, DIV. 1 GROUPS C and D		CLASS II DIV. 1 and 2		CLASS III DIV. 1 and 2	NEMA 4X (Suitable for Hosedown)	UL 595 MARINE	
		Rated Temp ° C	"T" No.	Rated Temp ° C	Groups				
HIGH PRESSURE SODIUM	50 §	85	T6	100	EFG	YES	YES	YES	
	70 §	85	T6	120	EFG	YES	YES	YES	
	100 §	100	T5	135	EFG	YES	YES	YES	
	(With or Without Instant Restart)	150 (S55)	120	T4A	160	EFG	YES	YES	YES
	150(S56)	120	T4A	160	EFG	YES	YES	YES	
	250	120	T4A	-	-	-	YES	YES	
	400	160	T3C	-	-	-	YES	YES	
	With Auxiliary Quartz	50	120	T4A	160	EFG	YES	YES	YES
	70	120	T4A	160	EFG	YES	YES	YES	
	100	160	T3C	200	EF	-	YES	YES	
	150(S55)	160	T3C	200	EF	-	YES	YES	
	150(S56)	160 +	T3C	-	-	-	YES	YES	
	METAL HALIDE	175	120	T4A	180	EF	-	YES	YES
		250	160	T3C	200	EF	-	YES	YES
400		165	T3B	-	-	-	YES	YES	
With Auxiliary Quartz		175	160 +	T3C	-	-	-	YES	YES
250		180 +	T3A	-	-	-	YES	YES	

§ These fixtures suitable (UL listed) for use in paint spray areas.

+ UL listed at 25° C

NOTE REGARDING GLASS GLOBES AND REFRACTORS — All LDPI fixture assemblies shown in the catalog as UL listed and CSA certified for marine applications are suitable for hose-down when fixture is off and glass has been allowed to cool. Tempered glass globes and refractors have better thermal shock resistance properties than non-tempered globes and refractors and should be considered whenever fixtures are subject to being splashed with significantly cooler liquids while illuminated (hot). Consult factory for more information.