



INSTALLATION, OPERATION AND MAINTENANCE INSTRUCTIONS

LEHB1 LED HIGH TEMPERATURE HIGH BAY LIGHTING FIXTURES

UL1598 (Wet/Damp) / UL8750 (LED Safety)

General Safety Information

To reduce the risk of death, personal injury or property damage from fire, electric shock, falling parts, cut/abrasions and other hazards, read all warnings and instructions included with and on the luminaire box and all luminaire labels.

Before installing, servicing or performing routine maintenance on this luminaire, follow these general precautions.

- Commercial installation, service and maintenance of luminaires should be performed by a qualified licensed electrician.
- DO NOT INSTALL DAMAGED PRODUCT!
- This luminaire is intended to be connected to a properly installed and grounded UL listed junction box.
- Ensure the supply voltage is the same as the luminaire voltage.
- Do not install in a location where the marked operating temperatures exceed the ignition temperatures of the hazardous atmosphere.
- Do not operate in ambient temperatures above those indicated on the luminaire nameplate.
All gasket seals must be clean and undamaged.

WARNING! RISK OF ELECTRICAL SHOCK

- Turn off electrical power at fuse or circuit breaker box before wiring luminaire to the power supply.
- Turn off the power when any maintenance is performed.
- Verify that the supply voltage is the same as noted on the luminaire label
- All electrical and grounded connections must be in accordance with the National Electrical Code and any applicable local code and Hazardous location requirements.
- All wiring connections must be capped with UL approved wire connectors.
- Luminaire must be supplied by a wiring system with a equipment grounding conductor.

CAUTION! RISK OF INJURY AND FIRE

- Wear gloves and safety glasses at all times when removing luminaire from carton, installing, servicing or performing maintenance.
- Avoid direct eye exposure to the light source when luminaire is turned on.
- Account for small parts and pieces of packing material as these may be hazardous to children.
- Keep combustible and flammable materials away from luminaire.
- Minimum 194°F (90°C) Supply Conductors

MODELS:

LEHB1 - 2 - 3 - 4 - 5 - 6 - 7 - 8 - 9

2 = Power/Wattage
(L1=200W, L2=400W, L3=600W, L4=800W)

3 = Voltage (VAC)
(V1=120-277VAC, V2=347-480VAC)

4 = Ambient Temperature
(65=65°C, 70=70°C)

5 = Color Temperature (K)
(3=3,000, 4=4,000, 5=5,000, 57=5,700)

6= Optics
(15=15°, 30=30°, 60=60°, 90=90°, T3=Type III, T5=120°, 32=30°x120°)

7 = Lens
(C=Clear, D=Frosted, P=Polycarbonate)

8 = Color / Finish
(BL=Black)

9 = Accessories	(WG06=Wire Guard)	(CA-X=Custom Cord Length)
	(SP01=10KV Surge Protector for 120-277V)	(SC05=3ft. Safety Cable Kit)
	(SP02=10KV Surge Protector for 347-480V)	(JB20=Junction Box for 200W)
	(SP05=20KV Surge Protector for 120-277V)	(JB40=Junction Box for 400W)
	(SP06=20KV Surge Protector for 347-480V)	(JB60=Junction Box for 600W)
	(CA02=6ft. Cord)	(JB80=Junction Box for 800W)



For illustration purposes only. Models may vary.

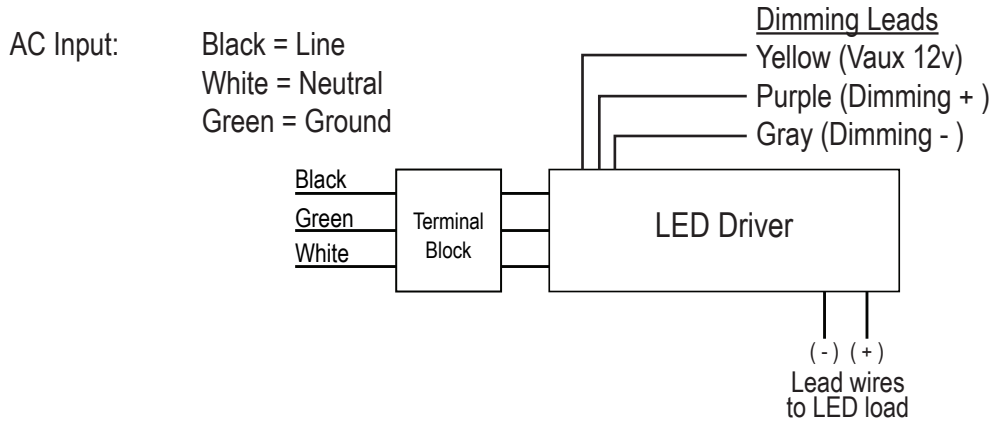
Operating Characteristics

Fixtures with polycarbonate lens (P) ambient temperature: -40°C to 65°C (-40°F to 149°F)

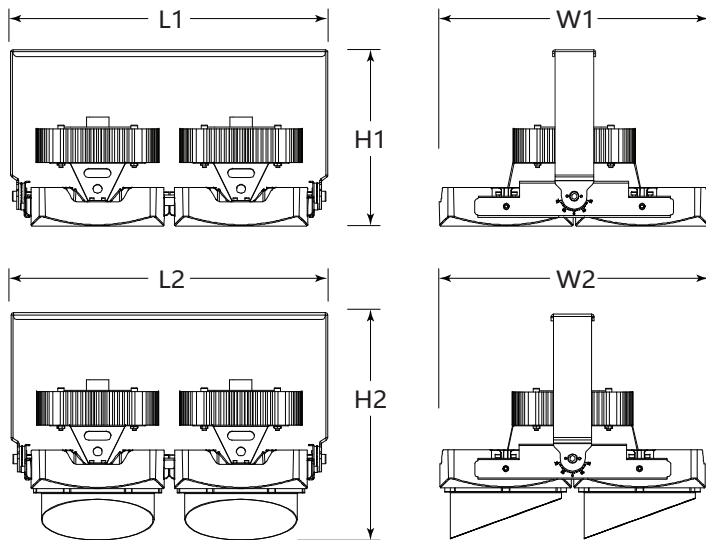
Fixtures with glass lenses (Clear (C) and Frosted (F) ambient temperature: -40°C to 70°C (-40°F to 158°F)

General Wiring Diagram

Caution! Turn off electrical power at fuse or circuit breaker box before wiring luminaire to the power supply. All luminaires must be individually connected to the AC power supply.



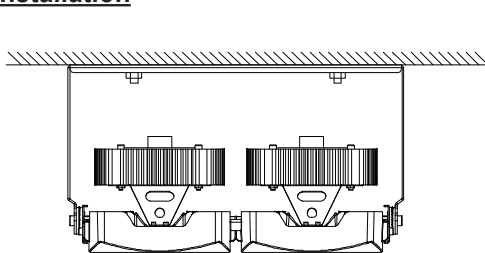
Product Dimensions



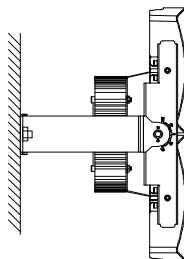
Power	Dimensions in.(mm) (H1 x L1 x W1)
200W	10.9" x 10.6" x 16.5" (277 x 270 x 420)
400W	10.9" x 19.5" x 16.5" (277 x 495 x 420)
600W	10.9" x 29.1" x 16.5" (277 x 740 x 420)
800W	10.9" x 38.0" x 16.5" (277 x 964 x 420)

Power	Dimensions in.(mm) (H2 x L2 x W2)
200W	14.0" x 10.6" x 16.5" (355 x 270 x 420)
400W	14.0" x 19.5" x 16.5" (355 x 495 x 420)
600W	14.0" x 29.1" x 16.5" (355 x 740 x 420)
800W	14.0" x 38.0" x 16.5" (355 x 964 x 420)

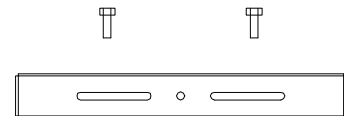
Installation



Ceiling



Wall



Yoke (Screws not included)
Use 3/8-16 or M10

Servicing

- To avoid personal injury, disconnect power to the light and allow the unit to cool down before performing maintenance.
- Perform visual, electrical, and mechanical inspections on a regular basis. The environment and frequency of use will determine how often. However, it is recommended that inspections occur annually.
- The external lens should be cleaned periodically to ensure continued luminaire performance. Clean the lens with a clean, damp, non-abrasive, lint-free cloth. If this is not sufficient, use a mild soap or a liquid cleaner. Do not use an abrasive, strong alkaline or acid cleaner as damage may occur.
- Inspect the cooling fins of the luminaire to ensure that they are free of any contamination (i.e. excessive dust build-up). Clean with a non-abrasive cloth if needed.
- Check all moving parts and components to ensure they are properly assembled and in good operating order.
- Check all electrical connections to ensure all connections are clean and tight.