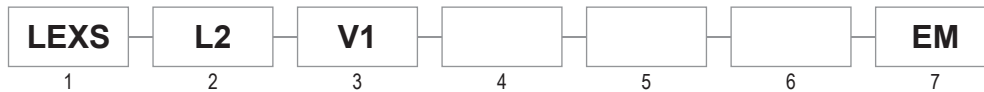
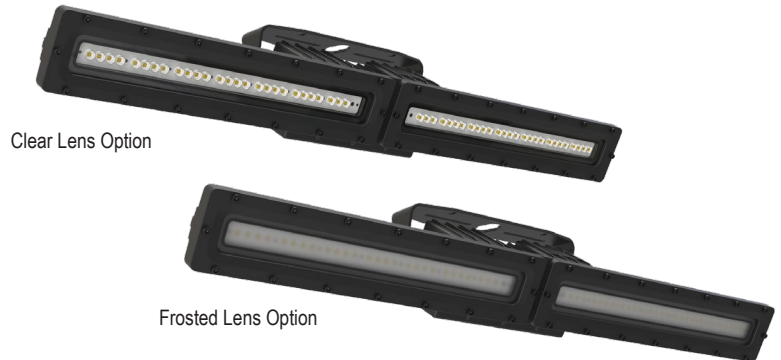


The LEXS-EM is designed and listed for **CI D1** explosive environments and wet locations. This fixture offers directional mounting, is Paint Spray listed for use in paint or powder booths and features silicone-free gaskets that are safe to use in a paint booth.



1 SERIES	2 SOURCE	3 VOLTAGE	4 CCT	5 OPTICS / BEAM	6 LENS	7 OPTIONS
LEXS	L2: 4Ft. / 80W	V1: 120-277VAC (50/60Hz)	3: 3,000K 4: 4,000K 5: 5,000K	V110: 110° TYPE V V60: 60° TYPE V T2: Type II	C: Clear D: Diffused	EM: Emergency Backup (90 min.) UL924

Product comes standard with
 (3) 3/4" Hubs
 Aluminum yoke bracket pre-installed
 10Kv surge protector built-in
 3Ft. Wire whip, factory installed



CERTIFICATIONS

UL844 / CSA-C22.2 No.137 (Hazardous)
 CI D1 Grps C,D
 CI D2 Grps C,D
 Simultaneous Presence
 Paint Spray Listed
 T-Code: CI D1=T6
 UL1598 / CSA-C22.2 No.250 (Wet/Damp)
 Lumen Maintenance (L70) >60,000 hrs. (reported)
 CRI >70
 -20°C to 45°C Ambient
 RH Ambient Humidity 10% to 90%
 IP66
 NEMA 3 and NEMA 4X
 FCC

CONSTRUCTION

Copper-free aluminum
 Silicone-free gaskets
 Powder coat black
 All exposed fasteners are stainless steel
 Thermal shock and impact resistant glass lens
 (3) 3/4" Hub locations
 Weight: 27 lbs.

ELECTRICAL

120-277V
 10Kv surge protector built in, standard
 24 hour charge time
 3 Ft. 3-Wire whip standard, factory installed

FEATURES

High lumen output up to 120 Lm/W
 Shock and vibration resistant
 Mounting: Wall (Flood), Pole, Ceiling and Pendent
 30° Yoke Adjustments (180° total)
 Emergency 90 min. battery backup (UL924)
 Light weight, compact design
 5 Year Warranty

PERFORMANCE

Source	Voltage (VAC) 50/60Hz	Input Current (A)	Wattage (W)	CCT	Lumen Output* (Lm)	
					Clear Lens	Diffused Lens
L2	120-277	.66 - .29	80	3,000K	9550	7600
				4,000K	9560	7520
				5,000K	10260	7750
					Emergency Lumen Output* (Lm)	
				3,000K	800	680
				4,000K	810	650
				5,000K	840	640
* Nominal values						

LEXS-EM

EXPLOSION PROOF-EMERGENCY BACKUP

Paint/Powder Booths • Chemical Processing • Industrial • Oil / Gas • Shipyards / Marine • Water Treatment



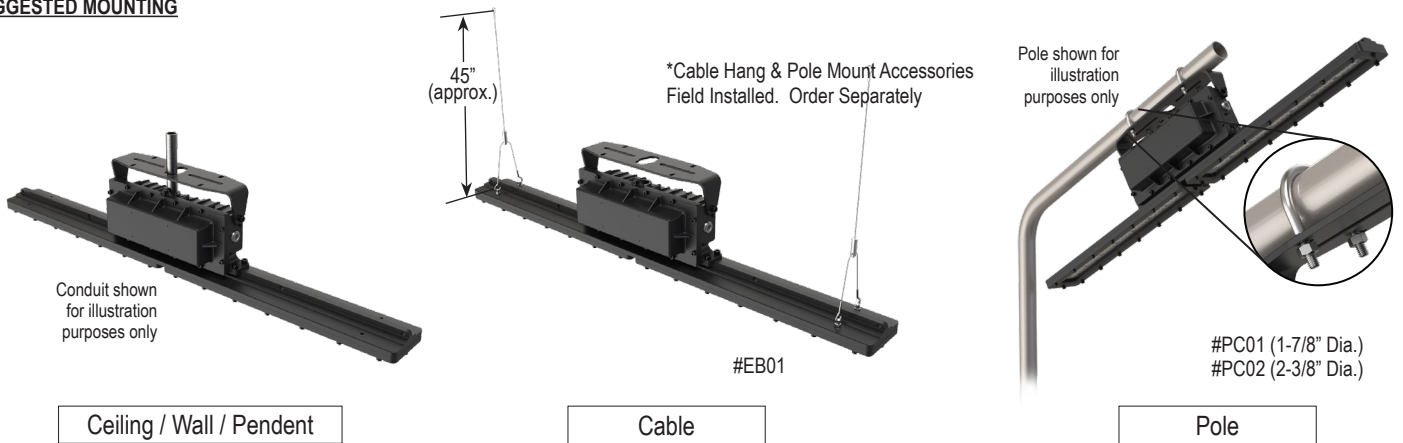
ACCESSORIES - (Field Installed, Order Separately)

Part Number	Description	
PC01*	Pole Mount Pipe Clamp Kit Stainless Steel 1-7/8" Dia. Includes: 2 Clamps	
PC02*	Pole Mount Pipe Clamp Kit Stainless Steel 2-3/8" Dia. Includes: 2 Clamps	
EB01*	Cable Mount Kit 39.4in. adjustable length Stainless Steel Kit includes 2 cable assemblies	

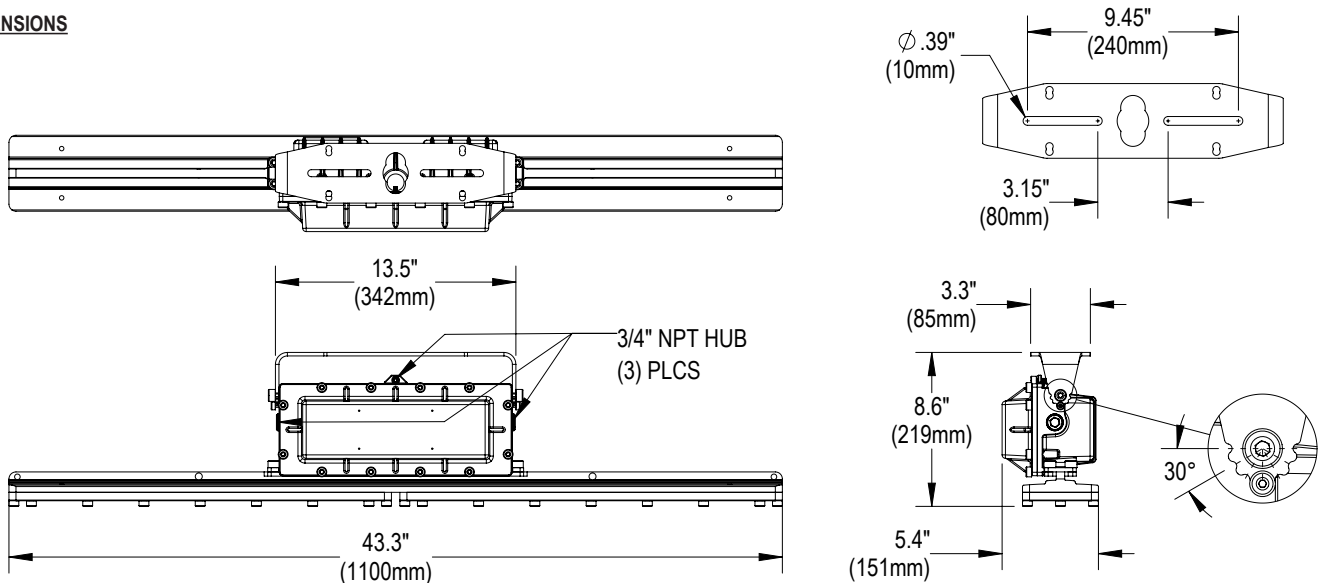
* Note: Stainless steel accessories not for use in paint spray applications



SUGGESTED MOUNTING



DIMENSIONS



1-800-854-0021 www.ldpi-inc.com
LDPI® is a registered trademark of LDPI, Inc. © LDPI, Inc.

Product design and specifications subject to change without notice.
Visit www.ldpi-inc.com for the most current version and photometric data. v.10.01.20