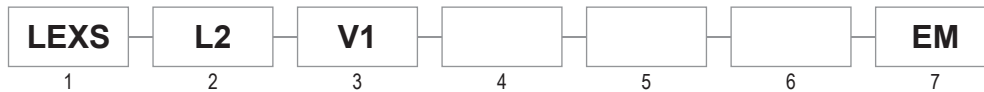
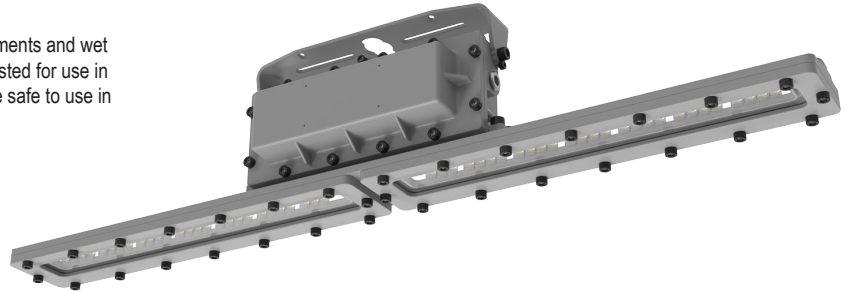


The LEXS-EM is designed and listed for **CI D1** explosive environments and wet locations. This fixture offers directional mounting, is Paint Spray listed for use in paint or powder booths and features silicone-free gaskets that are safe to use in a paint booth.

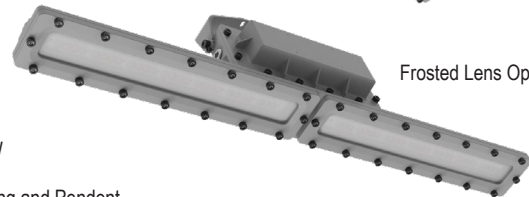


1 SERIES	2 SOURCE	3 VOLTAGE	4 CCT	5 OPTICS / BEAM	6 LENS	7 OPTIONS
LEXS	L2: 4Ft. / 80W	V1: 120-277VAC (50/60Hz)	3: 3,000K 4: 4,000K 5: 5,000K	V110: 110° TYPE V V60*: 60° TYPE V T2*: Type II  *Requires "C" Lens	C: Clear D: Diffused	EM: Emergency Backup (90 min.) UL924

Product comes standard with  
 (3) 3/4" Hubs  
 Aluminum yoke bracket pre-installed  
 10Kv surge protector built-in  
 3Ft. Wire whip, factory installed (includes 0-10V dimming leads)



Clear Lens Option



Frosted Lens Option

### CERTIFICATIONS

- UL844 / CSA-C22.2 No.137 (Hazardous)
- CI D1 Grps C,D
- CI D2 Grps C,D
- Simultaneous Presence
- Paint Spray Listed
- T-Code: CI D1=T6
- UL1598 / CSA-C22.2 No.250 (Wet/Damp)
- Lumen Maintenance (L70) >60,000 hrs. (reported)
- CRI >70
- 20°C to 45°C Ambient
- RH Ambient Humidity 10% to 90%
- IP66
- NEMA 3 and NEMA 4X
- FCC

### FEATURES

- High lumen output up to 120 Lm/W
- Shock and vibration resistant
- Mounting: Wall (Flood), Pole, Ceiling and Pendent
- 30° Yoke Adjustments (180° total)
- Emergency 90 min. battery backup (UL924)
- Light weight, compact design
- 5 Year Warranty

### CONSTRUCTION

- Copper-free aluminum
- Silicone-free gaskets
- Powder coat grey
- All exposed fasteners are stainless steel
- Thermal shock and impact resistant glass lens
- (3) 3/4" Hub locations
- Weight: 27 lbs.

### ELECTRICAL

- 120-277V
- 10Kv surge protector built in, standard
- 24 hour charge time
- 3 Ft. Wire whip standard, factory installed

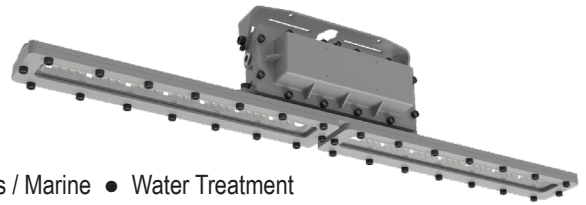
### PERFORMANCE

Source	Voltage (VAC) 50/60Hz	Input Current (A)	Wattage (W)	CCT	Lumen Output* (Lm)	
					Clear Lens	Diffused Lens
L2	120-277	.66 - .29	80	3,000K	9550	7600
				4,000K	9560	7520
				5,000K	10260	7750
<b>Emergency Lumen Output* (Lm)</b>						
				3,000K	800	680
				4,000K	810	650
				5,000K	840	640
* Nominal values						

# LEXS-EM

## EXPLOSION PROOF-EMERGENCY BACKUP

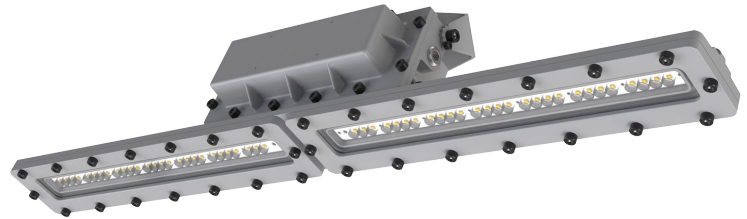
Paint/Powder Booths • Chemical Processing • Industrial • Oil / Gas • Shipyards / Marine • Water Treatment



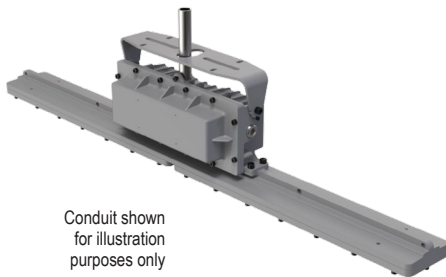
### ACCESSORIES - (Field Installed, Order Separately)

Part Number	Description	
PC01*	Pole Mount Pipe Clamp Kit Stainless Steel 1-7/8" Dia. Includes: 2 Clamps	
PC02*	Pole Mount Pipe Clamp Kit Stainless Steel 2-3/8" Dia. Includes: 2 Clamps	
HK04*	Hanging Mount Kit Stainless Steel M10 Eyebolts and nuts Includes: 2 Eyebolts	

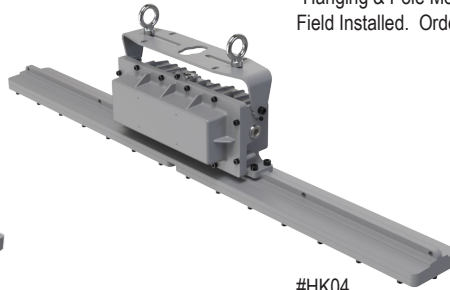
\* Note: Stainless steel accessories not for use in paint spray applications



### SUGGESTED MOUNTING

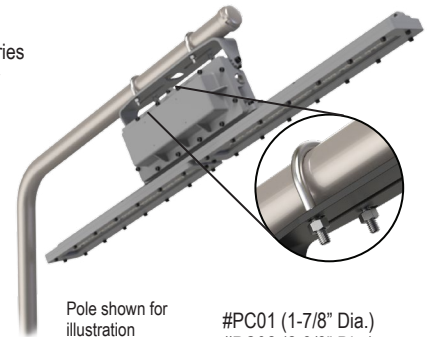


Ceiling / Wall / Pendant



Hanging

\*Hanging & Pole Mount Accessories  
Field Installed. Order Separately

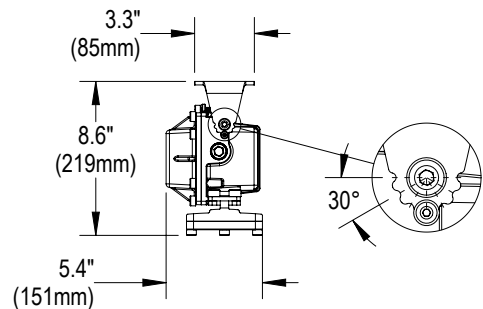
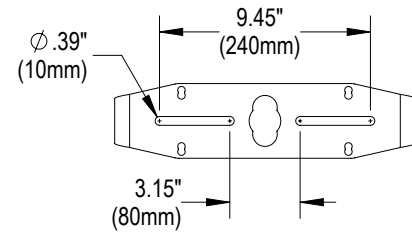
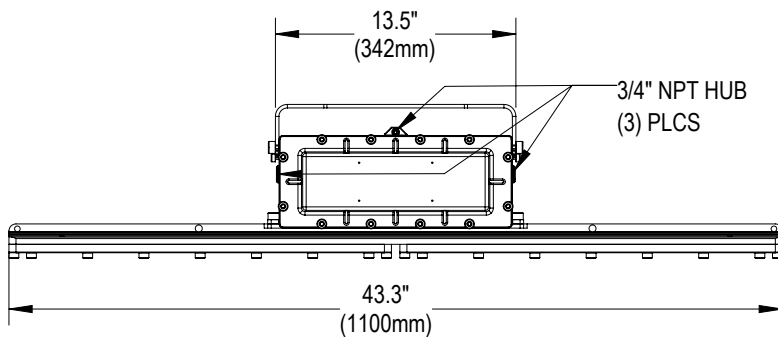
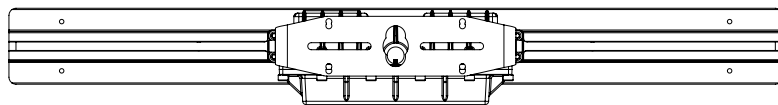


Pole shown for illustration purposes only

#PC01 (1-7/8" Dia.)  
#PC02 (2-3/8" Dia.)

Pole

### DIMENSIONS



1-800-854-0021 www.ldpi-inc.com  
LDPI® is a registered trademark of LDPI, Inc. © LDPI, Inc.

Product design and specifications subject to change without notice.  
Visit www.ldpi-inc.com for the most current version and photometric data. v.04.07.23