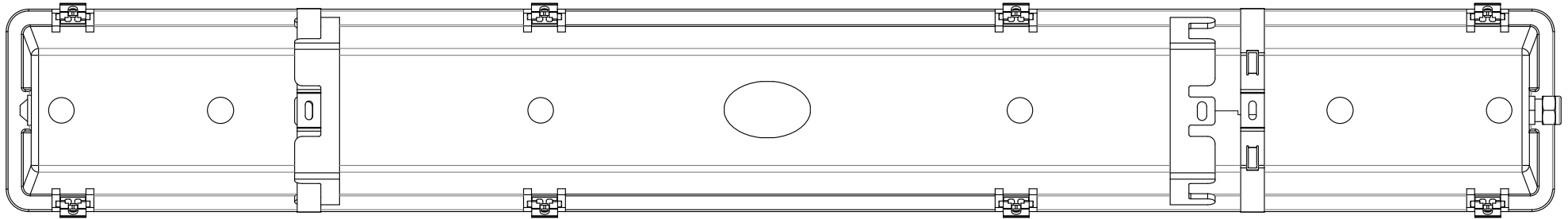
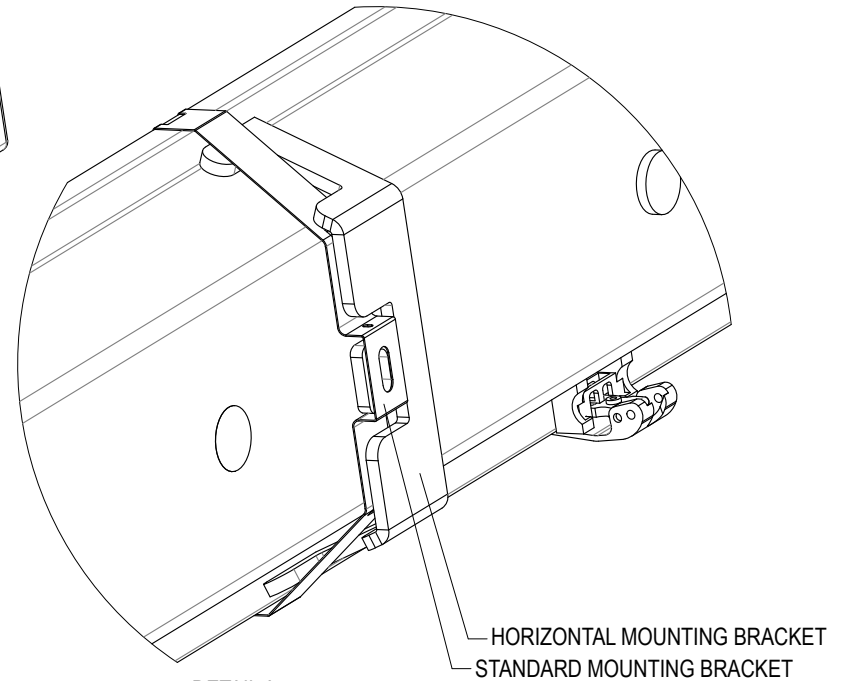
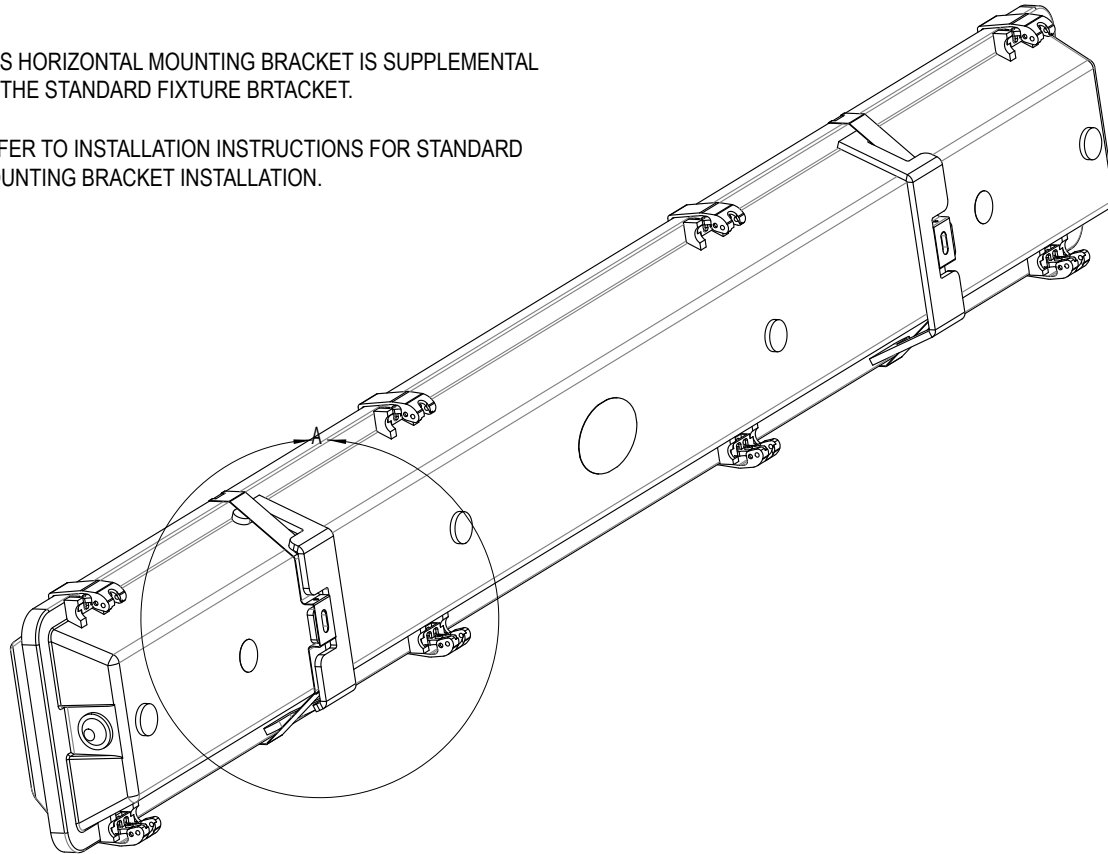


# 376 SERIES HORIZONTAL MOUNTING BRACKET INSTALLATION DIAGRAM



THIS HORIZONTAL MOUNTING BRACKET IS SUPPLEMENTAL TO THE STANDARD FIXTURE BRACKET.

REFER TO INSTALLATION INSTRUCTIONS FOR STANDARD MOUNTING BRACKET INSTALLATION.



DETAIL A  
SCALE 1 : 2

NOTE:  
ATTACH HORIZONTAL MOUNTING BRACKET  
TO STANDARD BRACKET PRIOR  
TO ATTACHING FIXTURE.