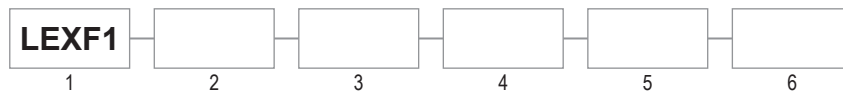
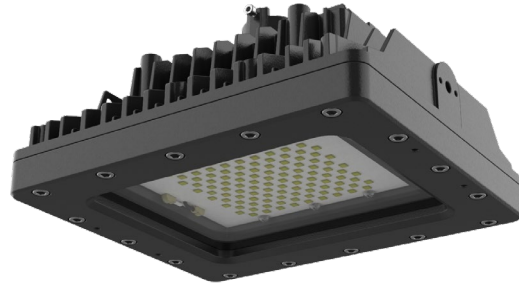


The LEXF1 is an explosion proof light fixture designed for use in environments where flammable vapors, gases or combustible dusts are ALWAYS present. This Low Bay area light fixture is suitable for use in high ambient temperature installations up to 65°C (149°F).



1 SERIES	2 SOURCE	3 VOLTAGE	4 CCT	5 OPTICS/BEAM	6 LENS
LEXF1	L1: 21W L2: 40W L3: 50W* L4: 60W  *L3: 347-480VAC Only	V1: 120-277VAC (50/60Hz) V2: 347-480VAC (50/60Hz)*  *V2: 50W Only	27: 2,700K 4: 4,000K 5: 5,000K	T2: Type II* T3: Type III* T5: Type V (110°)  *Requires C lens	C: Clear Glass D: Diffused Glass
Product comes standard with: 3/4" NPT Pendant Hub • 10Kv surge protection built in • 3 Ft. wire whip factory installed. (includes 0-10V dimming leads)					

### CERTIFICATIONS

UL844 / CSA-C22.2 No.137 (Hazardous)  
 CI D1, Grps B,C,D  
 CI D2, Grps A,B,C,D  
 CII D1, Grps E,F,G  
 CII D2, Grps F,G  
 CIII  
 Simultaneous Presence  
 Paint Spray Listed  
 T Code: See table below  
 UL1598 / CSA-C22.2 No.250 (Wet/Damp)  
 UL1598A (Marine Outside)  
 -40°C to 65°C Ambient (L1-L3)  
 -40°C to 64°C Ambient (L4)  
 IP66 & IP67 & IK08  
 CRI Ra>70  
 Lumen Maintenance (L70) >60,000 hrs. (reported)  
 FCC

### CONSTRUCTION

Copper-free aluminum housing  
 Clear or frosted tempered glass lens  
 Powder coat black  
 Single 3/4" NPT Hub / Pendant Mount  
 Weight: 12 lbs.  
 All exposed fasteners are stainless steel

### ELECTRICAL

120-277 / 347-480VAC  
 10Kv surge protector built in - Standard  
 3Ft. Wire Whip - Standard, Factory Installed

### FEATURES

High Lumen output up to 150 Lm/W  
 Thermal shock and impact resistant glass lens  
 Anti-corrosion housing tested 1,000 hrs.  
 Mounting options available: Pendant, Yoke  
 5 Year Warranty

### PERFORMANCE

Source	Voltage (VAC) 50/60Hz	Input Current (A)	Wattage (W)	CCT	Lumens* (Lm)		
					T2	T3	T5 (Clear / Diffused)
L1	120-277	.18 - .08	21	2,700K	3150	2960	3280 / 2470
				4,000K	3270	3130	3400 / 2760
				5,000K	3360	3210	4220 / 2820
L2	120-277	.33 - .14	40	2,700K	5830	5450	6040 / 4860
				4,000K	5940	5270	6250 / 5050
				5,000K	6160	5990	6500 / 5200
L3	347-480	.14 - .10	50	2,700K	6760	6400	7050 / 5690
				4,000K	6970	6450	7290 / 5880
				5,000K	6950	6520	7180 / 5880
L4	120-277	.50 - .21	60	2,700K	7600	7250	8060 / 6480
				4,000K	7990	7470	8380 / 6770
				5,000K	8110	7840	8510 / 7130

T-Code Summary					
Ambient Operating (°C)		-40°C to 65°C		64°C	
Optimal Operating (°C)		25°C			
	21W	40W	50W	60W	
CID1	T6	T6	T6	T5	
CID2	T4A	T4	T4A	T4	
CIID1	T6	T6	T6	T5	

\*Nominal values

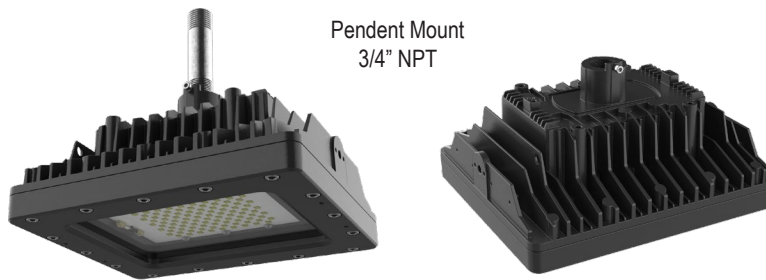
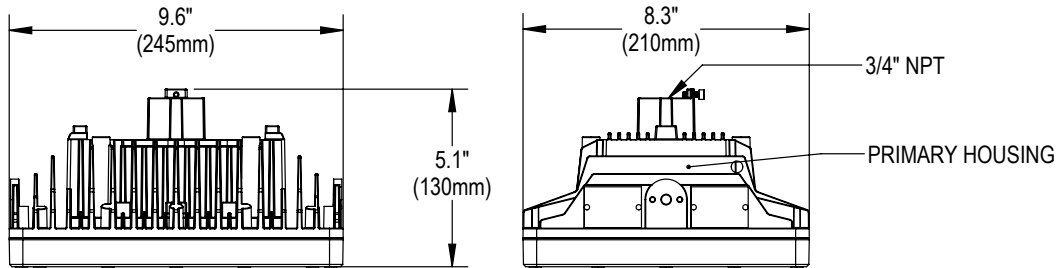
# LEXF1

## EXPLOSION PROOF


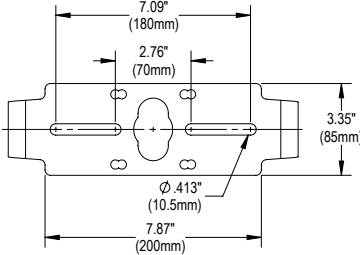
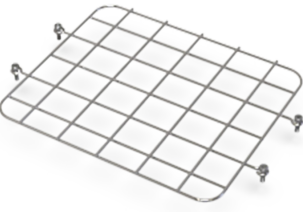

Chemical Processing • Grain Processing • Metals & Mining • Oil / Gas • Water Treatment



### DIMENSIONS



### ACCESSORIES - Field Installed (Order Separately)

Part Number	Description		
PB02-BK	Yoke Mount Kit (Yoke Angle Adjustable)  Includes aluminum yoke and mounting hardware		
WG04*	Wire Guard (Stainless Steel)  Includes wire guard and (4) M4 screws		

\* Note: Stainless steel accessories not suitable for use in paint spray applications