

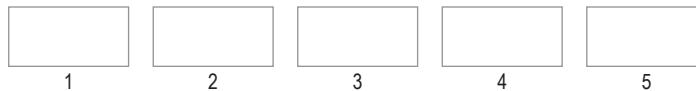


440T/THO

HAZARDOUS - BOOTH

Industrial • Paint and Powder Booths • Blast Booths • Prep, Inspection, Sanding Areas

The Series 440T / 440THO is a slim 2 1/4" product that is suited to being used in paint spray booths (with recessed flange mount option) & clean room applications where a lay-in troffer application is desired. This series comes in 4 lamp configurations of either T5 28W or T5HO 54W lamp options. Both utilize a specular insert for increased light output. Lamps not included. LAMPS SOLD SEPARATELY.



1 SERIES	2 MOUNT	3 HOUSING
390440T: T5 28W 390440THO: T5HO 54W	L: Lay-in* R: Recessed Flange/Box Panel (for use with kits 3331 and 3332) S: Surface Mount (for use with kit 3330)	PP: PrePaint PC: Powder Coat (Std) AS: Aluminized Steel GS: Galvanized Steel
4 HUB	5 BALLAST	Notes: * Lay-in Mount is standard. Other Mounting options ordered separately
A, B, C or D See Hub Locations	4425: T5 120-277V 50/60Hz 3265: T5HO 120-277V 50/60Hz 5420: T5HO 347-480V 50/60Hz	

LISTINGS

UL 844
 CSA 22.2 No. 137.0
 Paint Spray Listed
 UL 1598 Wet / Damp
 CSA 22.2 No. 250.0
 Class I D2 Groups A,B,C,D T3C 160°C
 Class II D2 Groups F,G T3C 160°C
 40°C ambient rating

FEATURES

20 gauge enclosed, sealed and gasketed, white powder coated finish.
 Front access troffer style: Lay-in fixture fits 2x4' grids with up to a 2" industrial "T-grid" suspension system.
 Highly reflective white finish with a specular insert for increased light output.
 90° self-contained hinge system (reduces overspray and dust)

LENS

3/16" prismatic tempered glass lens.

ELECTRICAL

Available in 28 and 54 watts with T5 and T5HO lamps
 120-277 and 347-480 Volts universal ballast. Hub location varies, dependent on Mounting style and customer preference.
 Paint spray cutoff switch for front door frame access.

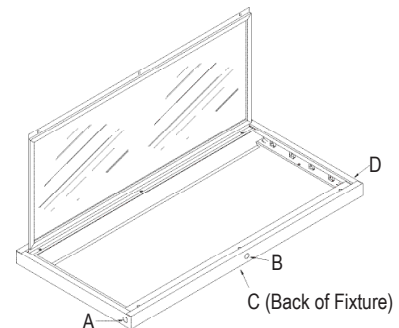
OPTIONS

5902: 8 Ft. 5-wire whip
 3/16" clear tempered glass
 2 and 3 lamp configurations
 Mounting Kits - ordered separately
 3330: surface mount, 3331: recessed flange mount or 3332: box panel mount

HUB LOCATIONS

A, B, and D **NOT** recommended for Lay-in Mount

C: not for use with surface mount.



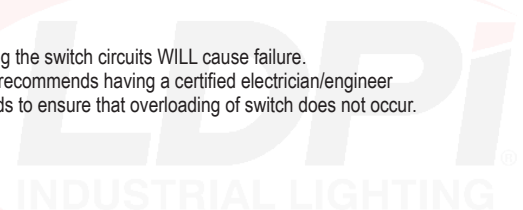
NOTE

Normally open magnetic switches are intended to be used to trigger a relay (furnished by others) which disables the paint system. Because of the small capacity of the switch a solid state relay is recommended. It may be desired by others to utilize a separate power supply to segregate the relay (furnished by others) from the lighting power supply. The magnetic switch IS NOT designed to directly control light operation! The magnetic switch is rated for 10 watts resistive at a maximum of 300 VAC.

CAUTION



Overloading the switch circuits WILL cause failure.
 LDPI, Inc. recommends having a certified electrician/engineer review loads to ensure that overloading of switch does not occur.



440T/THO

HAZARDOUS - BOOTH



Industrial • Paint and Powder Booths • Blast Booths • Prep, Inspection, Sanding Areas

DIMENSIONS

Dimensions are nominal and mounting is ordered separately.

Mounting Methods

Ceiling Lay-In for 2x4' Grid (standard)

Surface Mount: Kit P/N 3330

Recessed Flange Mount: Kit P/N 3331

Box Panel Mount: Kit P/N 3332

