



LDPI[®] INDUSTRIAL LIGHTING

INSTALLATION, OPERATION AND MAINTENANCE INSTRUCTIONS

FRONT/INSIDE ACCESS, T8 T8HLO 4 FT 4 LAMP EMERGENCY BALLAST 390440EM SERIES FLUORESCENT LIGHT FIXTURES

WARNING!

1. TO PREVENT THE RISK OF ELECTRICAL SHOCK DEACTIVATE/DISCONNECT BOTH NORMAL POWER AND EMERGENCY POWER SUPPLIES AND BATTERY CONNECTOR BEFORE INSTALLING OR RELAMPING FIXTURE. WHEN AC POWER IS DISCONNECTED, THE EMERGENCY BALLAST OUTPUT WILL BE ALIVE.
2. TO PREVENT HIGH VOLTAGE FROM BEING PRESENT ON THE EMERGENCY BALLAST OUTPUT LEADS (RED AND WHITE), DO NOT JOIN THE BATTERY CONNECTOR UNTIL INSTALLATION IS COMPLETE AND AC POWER IS SUPPLIED TO THE FIXTURE.
3. THE EMERGENCY BALLAST INSIDE THE FIXTURE REQUIRES AN UNSWITCHED AC POWER OF 120V, OR 277V 60HZ.
4. DO NOT ATTEMPT TO SERVICE THE BATTERY INSIDE THE EMERGENCY BALLAST OF THIS FIXTURE. THE EMERGENCY BALLAST INCORPORATES A SEALED, NO MAINTENANCE BATTERY THAT IS NOT FIELD REPLACEABLE. CONTACT LDPI FOR FACTORY REPLACEMENT.
5. THE BALLAST IN THIS FIXTURE IS DESIGNED TO OPERATE ON GROUNDED NEUTRAL SYSTEMS ONLY.
6. THIS FIXTURE SHOULD BE INSTALLED BY QUALIFIED TECHNICIANS IN STRICT ACCORDANCE WITH THE NATIONAL ELECTRICAL CODE AND ANY LOCAL REQUIREMENTS.

BOOTH APPLICATIONS

Before installing, make sure that the necessary branch circuit wiring is available. The Emergency Ballast in this fixture requires an un-switched source of power and must be fed from the same branch circuit as the AC ballast; therefore, in switched fixtures the Emergency Ballast must be connected ahead of any local switching. Check the fixture label to insure correct voltage and frequency.

The fixture should be sealed in such a way that only the face of the light fixture is exposed to the environment and the sides and rear are located in the Class I Division 2 Groups A, B, C and D environment.

NOTE: Light fixtures are provided with an interlock switch which has normally open contacts which open when fixture is accessed from the inside of the paint spray booth. This switch is to be wired in such a way that it disables paint spray equipment when the front of the light is opened.

IMPORTANT: 10 Watt magnetic switches are not prewired. (Wiring performed by others). It may be desired by others to run separate power for this supply to segregate relay from light power. *The magnetic micro switch is **NOT** designed to directly control light operation.

Since these fixtures can be accessed from inside the paint spray booth, a 2" x 3 1/2" label stating: "Caution - Do not operate paint spray equipment when fixture frame is opened. Keep the fixture frame tightly closed while paint spray equipment is operating", is included with each fixture.

Important safety note: There is still 120/277V inside the fixture when the front glass door is opened, unless the power to the ballast is disabled and the emergency ballast inverter connector is disabled.

OPERATIONAL DATA

Operate this fixture at its rated voltage. See fixture label for data. Do not install where the marked operating temperature exceeds the ignition temperature of the hazardous atmospheres.

MAINTENANCE DATA

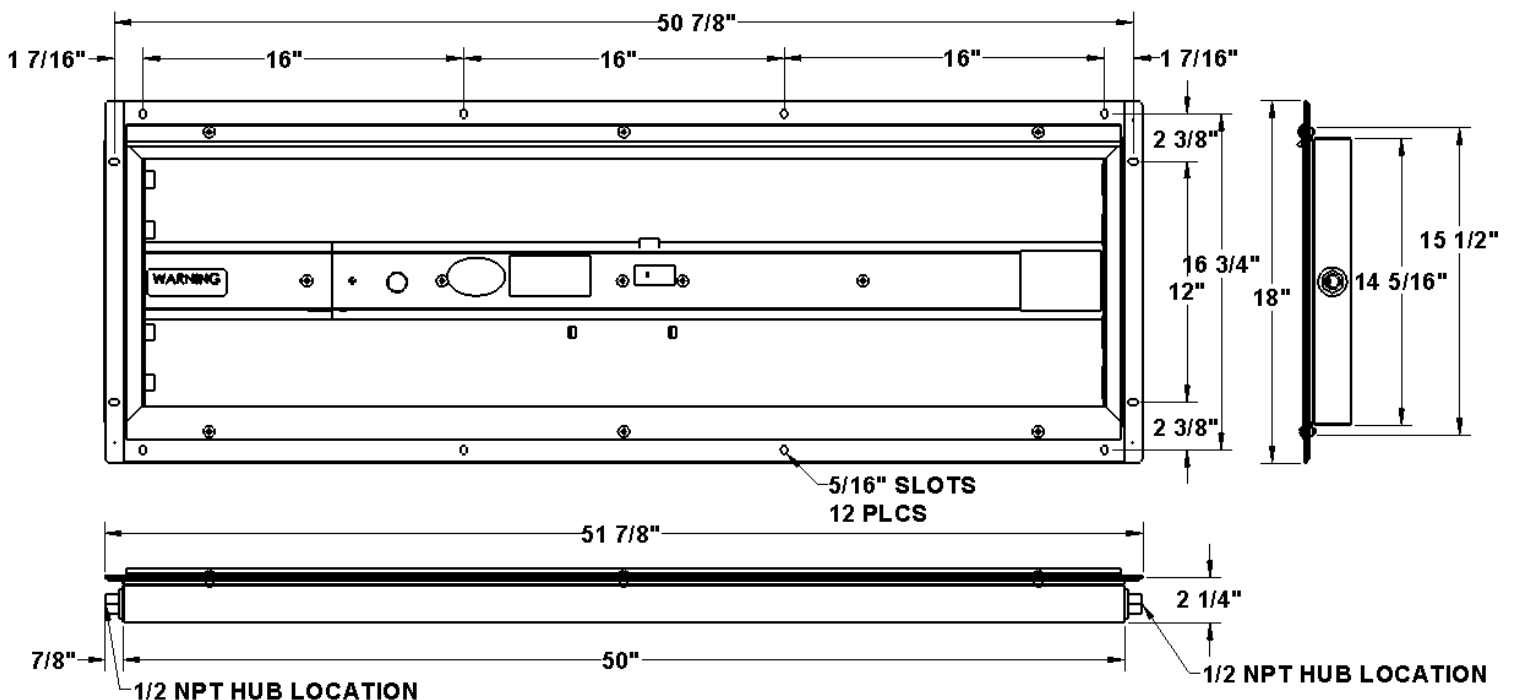
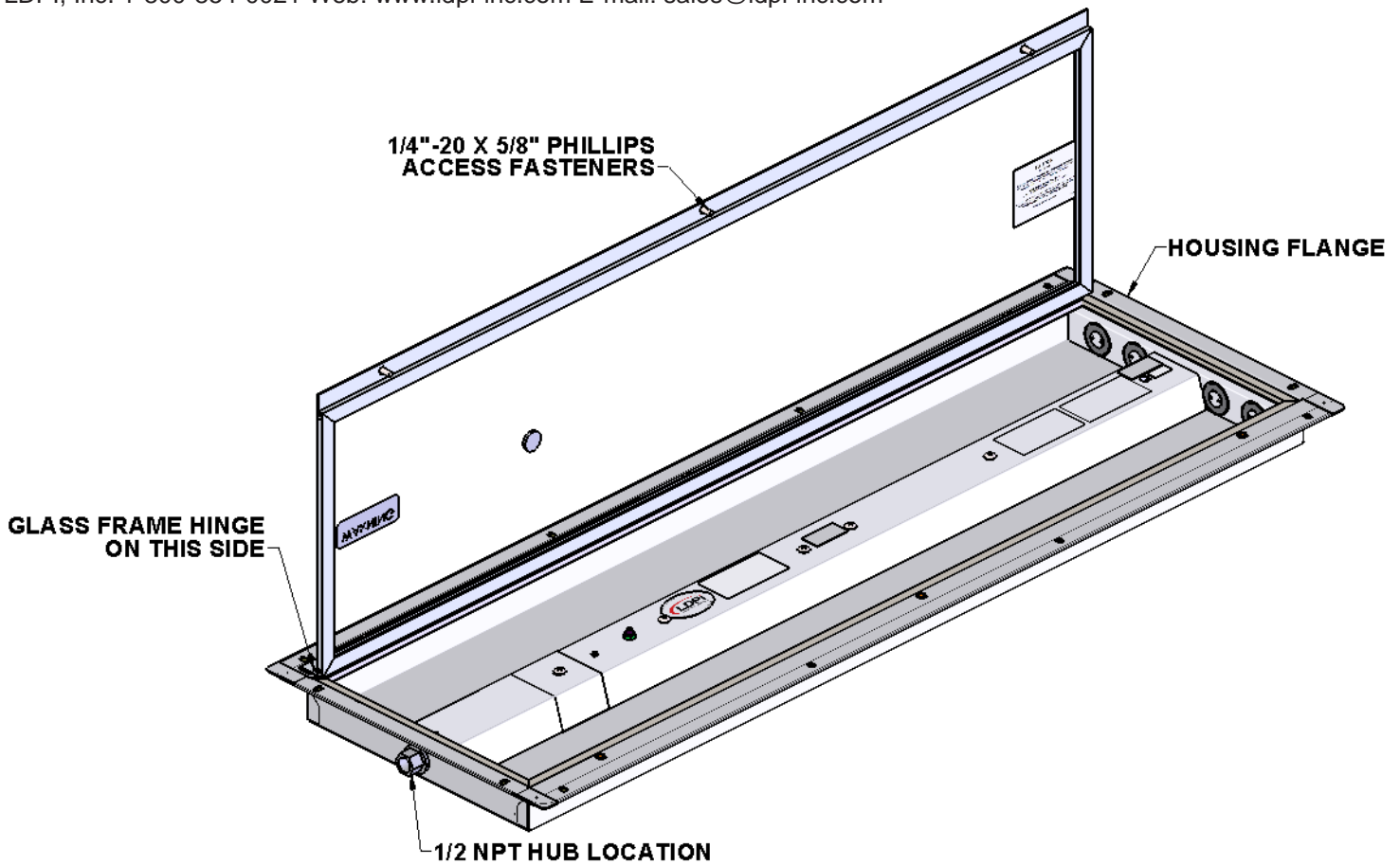
1. Although no routine maintenance is required to keep this fixture functional, it should be checked periodically to ensure that it is working properly and to look for any external damage.

2. For optimum performance, keep light transmission parts of fixture clean. Any commercial glass cleaner can be used to clean the glass.

3. To Re-lamp: disconnect supply circuit. Remove qty 3 fasteners from glass frame opposite side from hinge. The glass frame will swing open. Replace old lamp with new lamp. Close glass frame and install fasteners in glass frame to seal.

4. In the event of glass breakage, it will be necessary to replace the damaged glass frame assembly, in order to maintain the integrity of the fixture.

LDPI, Inc. 1-800-854-0021 Web: www.ldpi-inc.com E-mail: sales@ldpi-inc.com



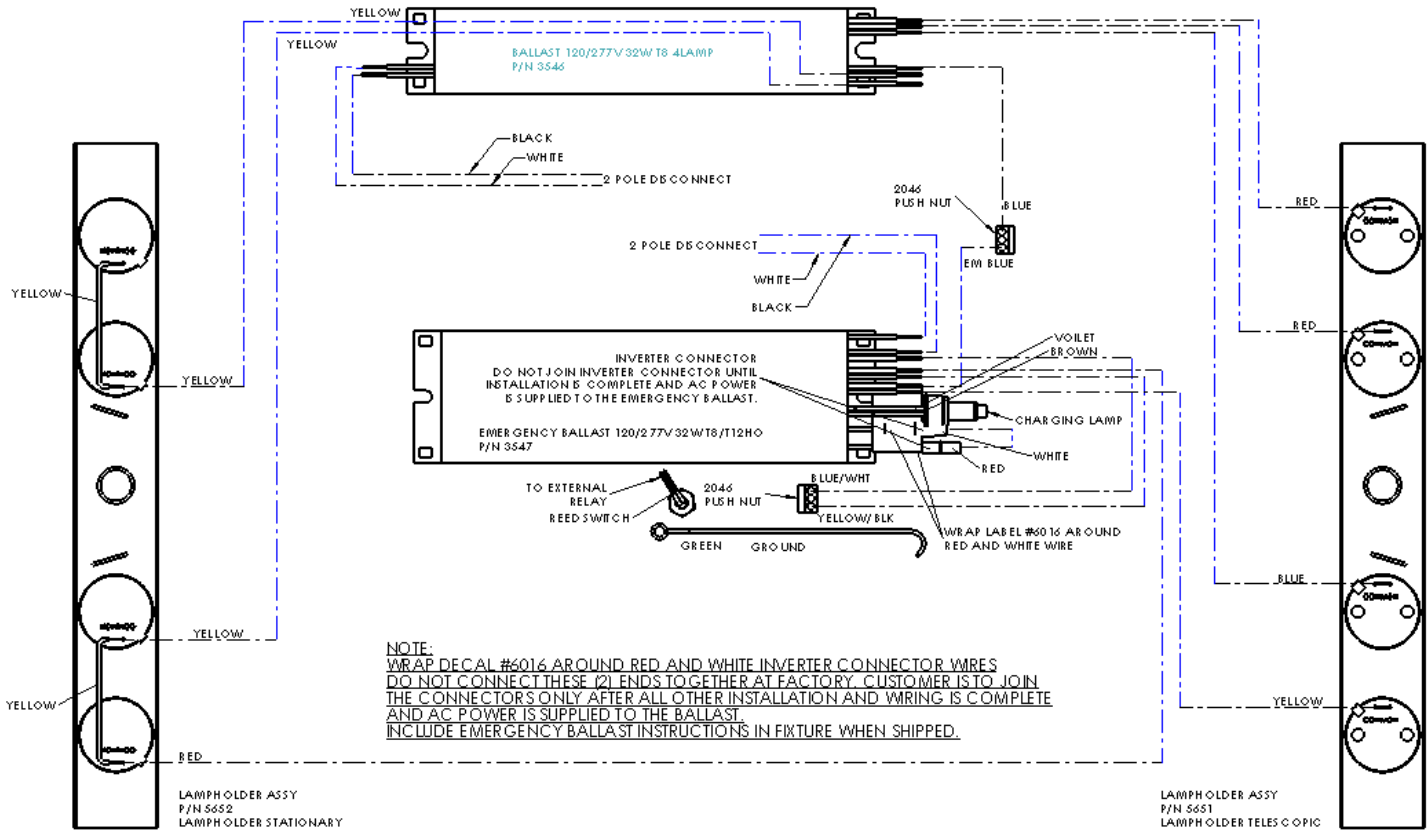
LDPI, Inc. 1-800-854-0021 Web: www.ldpi-inc.com E-mail: sales@ldpi-inc.com

WIRING SCHEMATIC FOR:

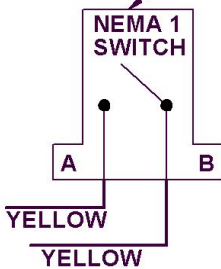
4 FT 4 LAMP T8 AND T8HLO INSTANT START FIXTURE

32W T8 INPUT AMPS: (120V: 0.94 AMPS) (277V: 0.41 AMPS) (347V: 0.31 AMPS)

32W T8HLO INPUT AMPS: (120V: 1.23 AMPS) (277V: 0.53 AMPS)



INTERLOCK SWITCH TO BE WIRED IN SUCH A WAY THAT IT DISABLES PAINT SPRAY EQUIPMENT WHEN LIGHT IS ACCESSED FROM INSIDE OF THE PAINT SPRAY BOOTH.



NOTE: The emergency ballast must be connected to an unswitched power source (277 VAC). After fixture installations is complete, supply AC power to the fixture and join the emergency ballast inverter connector.

Important safety note: There is still 120/277V inside the fixture when the front glass door is opened, unless the power to the ballast is disabled and the emergency ballast inverter connector is disabled.

NOTE: Normally open magnetic switches are intended to be used to trigger a relay (furnished by others) which disables the

paint system. Because of the small capacity of the switch a solid state relay is recommended. It may be desired by others to utilize a separate power supply to segregate the relay (furnished by others) from the lighting power supply.

The magnetic switch IS NOT designed to directly control light operation!

The magnetic switch is rated for 10 watts resistive at a maximum of 300 VAC.

Series wiring of more than 10 switches is NOT RECOMMENDED.

NOTE: Refer to diagram on ballast with specific wiring details.

CAUTION: Overloading the switch circuits WILL cause failure.

LDPI, Inc. recommends having a certified electrician/engineer review loads to ensure that overloading of switch does not occur.