

The LE485 Series is a recessed mount, front access, LED paint booth luminaire. This LED fixture is available in 4 Ft. lengths with 1, 2 or 3 rows of LED's; replacing your standard 2, 4, and 6 lamp fluorescent fixture. This fixture can be used with or without optics, has dimming capabilities, and is available with an EM option. Designed as a cost effective and energy efficient solution to replace or upgrade your booth to LED lighting.



3 Row w/ Diffused Lens



1 SERIES	2 SOURCE	3 VOLTAGE	4 OPTIC	5 DIMMING	6 CCT	7 WIRE WHIP*	8 OPTIONS
LE485	43: 43W (1 Row) 62: 62W (1 Row) 100: 100W (2 Row) 120: 120W (2 Row) 140: 140W (3 Row) 180: 180W (3 Row)	V1: 120-277VAC (50/60Hz)	Blank: None A: Diffused Acrylic	Blank: None D1: 0-10V D2: DALI	3: 3,500K 4: 4,000K 5: 5,000K	Blank: None WH: Wire Whip (10ft.) *3-wire wire whip standard. Total number of leads dependent on options ordered.	SP: Surge Protector (10kV) EM: Battery/Driver Backup (90min.) SR: Solid State Relay H: Hinged Lens w/ Interlock Switch RS: Interlock Switch

CERTIFICATIONS

UL844 / CSA-C22.2 No.137 (Hazardous)
 CI D2, Grps A,B,C,D
 CII D2, Grps F,G
 Paint Spray Listed
 T Code: CI D2, CII D2=T6
 UL1598 / CSA-C22.2 No.250 (Wet/Damp)
 Lumen Maintenance (L70) >60,000 hrs. (reported)
 CRI >80
 -25°C to 55°C Ambient (IC / Non IC)

CONSTRUCTION

20 gauge white powder coated steel housing
 Silicone free gaskets
 4 Ft. length (nominal)
 Clear, tempered glass lens access panel
 1/2" NPT Hub(s)
 Weights: Min: 42 lbs. / Max: 68 lbs.

ELECTRICAL

120-277VAC
 6kV Built-in driver surge protection

FEATURES

Dimming: 0-10V or DALI
 Recess mount - Front access
 Withstands up to 71°C bake cycle for 90 minutes with fixture power interlock off
 Emergency/Battery backup option available
 Fits in the same cutout as Slim Light and 400 Series fluorescent fixtures
 5 year warranty

PERFORMANCE

Source	Voltage (VAC) 50/60Hz	Input Current (A)	Wattage (W)	CCT	Lumen Output* (Lm)	
					No Lens	Diffused Lens
43 (1 Row)	120-277	0.36-0.16	43	3,500K	6670	5340
				4,000K	6810	5450
				5,000K	6880	5500
62 (1 Row)		0.53-0.23	63	3,500K	7660	6140
				4,000K	7820	6270
				5,000K	7900	6330
100 (2 Rows)		0.83-0.36	100	3,500K	12690	10050
				4,000K	12950	10360
				5,000K	13080	10460
120 (2 Rows)	1.00-0.43	120	3,500K	15370	12360	
			4,000K	15690	12610	
			5,000K	15850	12740	
140 (3 Rows)	1.17-0.51	140	3,500K	18670	14940	
			4,000K	19060	15250	
			5,000K	19250	15400	
180 (3 Rows)	1.50-0.65	180	3,500K	23000	18630	
			4,000K	23470	19020	
			5,000K	23710	19210	

*Nominal values

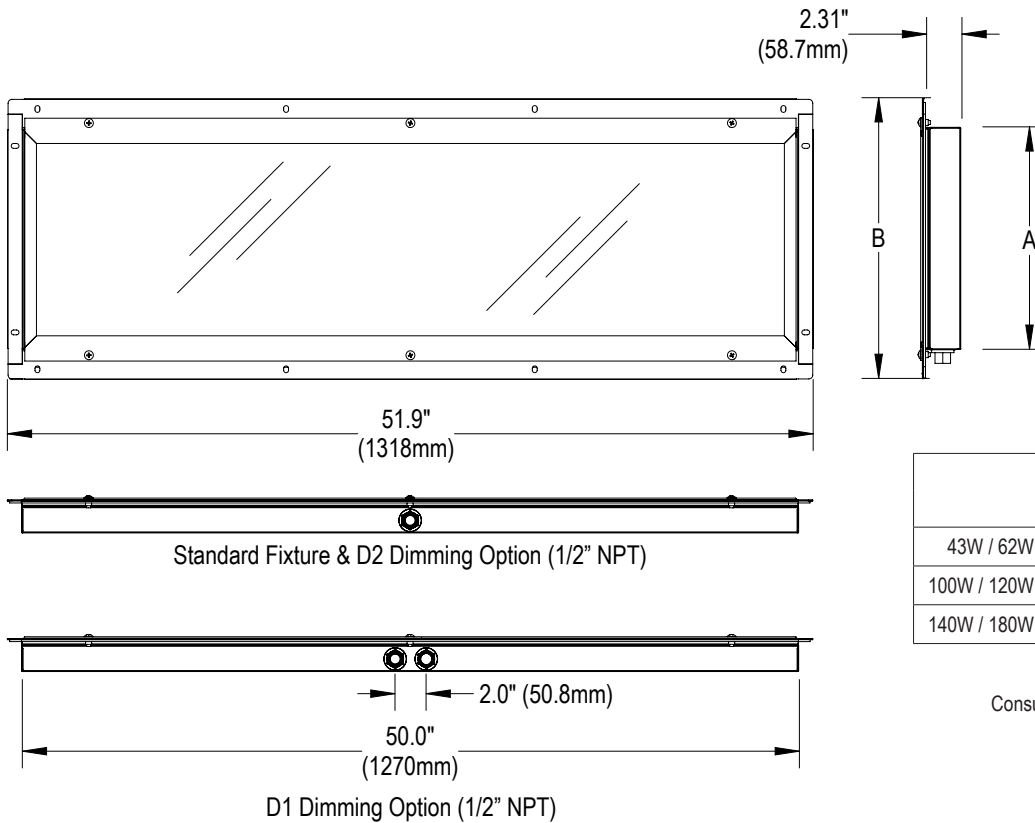
LE485

HAZARDOUS - BOOTH - FRONT ACCESS

Paint and Powder Booths • Blast Booths • Clean Rooms • Prep • Sanding



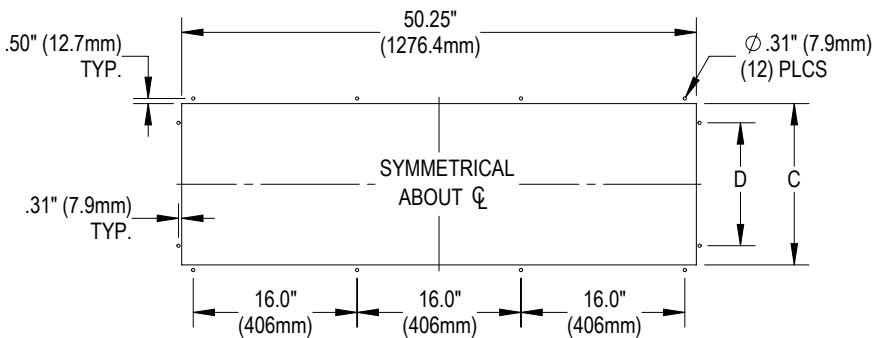
DIMENSIONS



Source	Dimensions* (in./mm)	
	A	B
43W / 62W (1 Row)	9.31" (236mm)	13.06" (332mm)
100W / 120W (2 Row)	14.31" (363mm)	18.06" (459mm)
140W / 180W (3 Row)	19.31" (490mm)	23.06" (586mm)
* Nominal dimensions		

Consult factory for custom hub locations

PANEL CUTOUT DIMENSIONS



Source	Dimensions* (in./mm)	
	C	D
43W / 62W (1 Row)	10.75" (273.1mm)	7.0" (177.8mm)
100W / 120W (2 Row)	15.75" (400.1mm)	12.0" (304.8mm)
140W / 180W (3 Row)	20.75" (527.1mm)	17.0" (431.8mm)
* Actual dimensions		



2 Row w/ Diffused Lens



1-800-854-0021 www.ldpi-inc.com
LDPI® is a registered trademark of LDPI, Inc. © LDPI, Inc.

Product design and specifications subject to change without notice.
Visit www.ldpi-inc.com for the most current version and photometric data. v.01.21.22