

The LE485 Series is a recessed mount, front access, LED paint booth luminaire. This LED fixture is available in 4 Ft. lengths with 1, 2 or 3 rows of LED's; replacing your standard 2, 4, and 6 lamp fluorescent fixture. This fixture can be used with or without optics, has dimming capabilities, and is available with an EM option. Designed as a cost effective and energy efficient solution to replace or upgrade your booth to LED lighting.



3 Row w/ Diffused Lens



| 1 SERIES | 2 SOURCE | 3 VOLTAGE | 4 OPTIC | 5 DIMMING | 6 CCT | 7 WIRE WHIP* | 8 OPTIONS |
|--------------|--|------------------------------------|--|---|--|--|--|
| LE485 | 43: 43W (1 Row) 62: 62W (1 Row) 100: 100W (2 Row) 120: 120W (2 Row) 140: 140W (3 Row) 180: 180W (3 Row) | V1: 120-277VAC (50/60Hz) | Blank: None A: Diffused Acrylic | Blank: None D1: 0-10V D2: DALI | 3: 3,500K 4: 4,000K 5: 5,000K | Blank: None WH: Wire Whip (10ft.) *3-wire wire whip standard. Total number of leads dependent on options ordered. | SP: Surge Protector (10kV) EM: Battery/Driver Backup (90min.) SR: Solid State Relay H: Hinged Lens w/ Interlock Switch RS: Interlock Switch |

CERTIFICATIONS

UL844 / CSA-C22.2 No.137 (Hazardous)
 CI D2, Grps A,B,C,D
 CII D2, Grps F,G
 Paint Spray Listed
 T Code: CI D2, CII D2=T6
 UL1598 / CSA-C22.2 No.250 (Wet/Damp)
 Lumen Maintenance (L70) >60,000 hrs. (reported)
 CRI >80
 -25°C to 55°C Ambient

CONSTRUCTION

20 gauge white powder coated steel housing
 Silicone free gaskets
 4 Ft. length (nominal)
 Clear, tempered glass lens access panel
 1/2" NPT Hub(s)
 Weights: Min: 42 lbs. / Max: 68 lbs.

ELECTRICAL

120-277VAC
 6kV Built-in driver surge protection

FEATURES

Dimming: 0-10V or DALI
 Recess mount - Front access
 Withstands up to 71°C bake cycle for 90 minutes with fixture power interlock off
 Emergency/Battery backup option available
 Fits in the same cutout as Slim Light and 400 Series fluorescent fixtures
 5 year warranty

PERFORMANCE

| Source | Voltage (VAC) 50/60Hz | Input Current (A) | Wattage (W) | CCT | Lumen Output* (Lm) | |
|--------------|--------------------------|-------------------|-------------|--------|--------------------|---------------|
| | | | | | No Lens | Diffused Lens |
| 43 (1 Row) | 120-277 | 0.36-0.16 | 43 | 3,500K | 6670 | 5340 |
| | | | | 4,000K | 6810 | 5450 |
| | | | | 5,000K | 6880 | 5500 |
| 62 (1 Row) | 120-277 | 0.53-0.23 | 63 | 3,500K | 7660 | 6140 |
| | | | | 4,000K | 7820 | 6270 |
| | | | | 5,000K | 7900 | 6330 |
| 100 (2 Rows) | 120-277 | 0.83-0.36 | 100 | 3,500K | 12690 | 10050 |
| | | | | 4,000K | 12950 | 10360 |
| | | | | 5,000K | 13080 | 10460 |
| 120 (2 Rows) | 120-277 | 1.00-0.43 | 120 | 3,500K | 15370 | 12360 |
| | | | | 4,000K | 15690 | 12610 |
| | | | | 5,000K | 15850 | 12740 |
| 140 (3 Rows) | 120-277 | 1.17-0.51 | 140 | 3,500K | 18670 | 14940 |
| | | | | 4,000K | 19060 | 15250 |
| | | | | 5,000K | 19250 | 15400 |
| 180 (3 Rows) | 120-277 | 1.50-0.65 | 180 | 3,500K | 23000 | 18630 |
| | | | | 4,000K | 23470 | 19020 |
| | | | | 5,000K | 23710 | 19210 |

*Nominal values

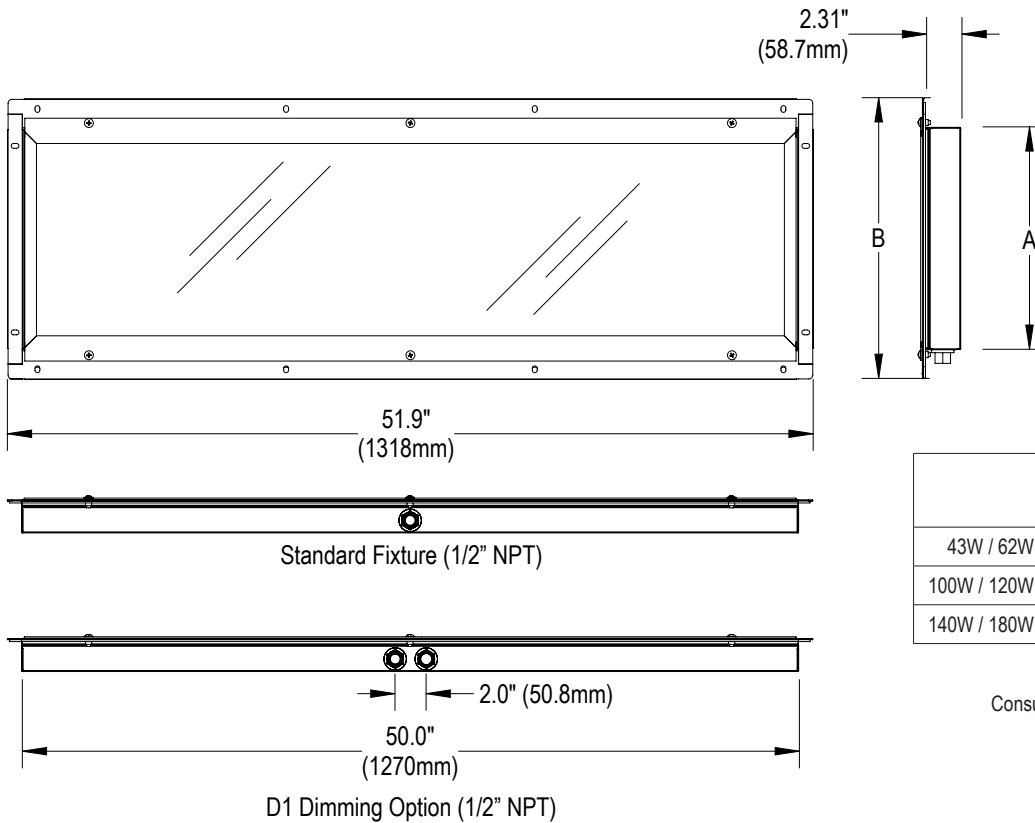
LE485

HAZARDOUS - BOOTH - FRONT ACCESS

Paint and Powder Booths • Blast Booths • Clean Rooms • Prep • Sanding



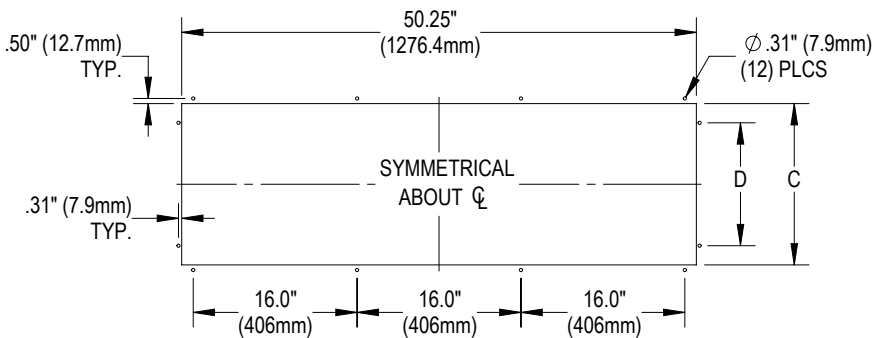
DIMENSIONS



| Source | Dimensions* (in./mm) | |
|----------------------|----------------------|----------------|
| | A | B |
| 43W / 62W (1 Row) | 9.31" (236mm) | 13.06" (332mm) |
| 100W / 120W (2 Row) | 14.31" (363mm) | 18.06" (459mm) |
| 140W / 180W (3 Row) | 19.31" (490mm) | 23.06" (586mm) |
| * Nominal dimensions | | |

Consult factory for custom hub locations

PANEL CUTOUT DIMENSIONS



| Source | Dimensions* (in./mm) | |
|---------------------|----------------------|-----------------|
| | C | D |
| 43W / 62W (1 Row) | 10.75" (273.1mm) | 7.0" (177.8mm) |
| 100W / 120W (2 Row) | 15.75" (400.1mm) | 12.0" (304.8mm) |
| 140W / 180W (3 Row) | 20.75" (527.1mm) | 17.0" (431.8mm) |
| * Actual dimensions | | |



2 Row w/ Diffused Lens



1-800-854-0021 www.ldpi-inc.com
LDPI® is a registered trademark of LDPI, Inc. © LDPI, Inc.

Product design and specifications subject to change without notice.
Visit www.ldpi-inc.com for the most current version and photometric data. v.01.20.21