

The 241 Series is an ideal product for a multitude of areas including Paint Spray Booths, Prep Areas, Inspection Areas, Sanding or Machining Areas, even where Grain or Coal Dust may be a concern. This 4 lamp 4' fixture is available in wattages including 32, 44, 54, and 60 watts with a rear access piano hinged door for easy access to lamps and ballast. Must be mounted hinge side up. LAMPS SOLD SEPARATELY.



SERIES	MODEL #	DESCRIPTION	OPTIONS
241	390241-3546	T8 32W, 4 Ft.	EM: Emergency Battery Backup - T8 5901: 8 Ft. 3-Wire Whip
	390241347-3125	T8 32W, 4 Ft.	
	390241-6747	T8 32W HLO, 4 Ft.	
	390241120-4157	T8 44W HO, 4 Ft.	
	390241277-3792	T8 44W HO, 4 Ft.	
	390241-4843	T5 54W HO, 4 Ft.	

(Multiple voltages available, consult factory)

LISTINGS

UL 844
 CSA 22.2 No. 137.0
 Paint Spray Listed
 UL 1598 Wet / Damp
 CSA 22.2 No. 250.0
 Class I D2 Groups A,B,C,D T3C 160°C
 Class II D2 Groups F,G T3C 160°C
 40°C ambient rating

FEATURES

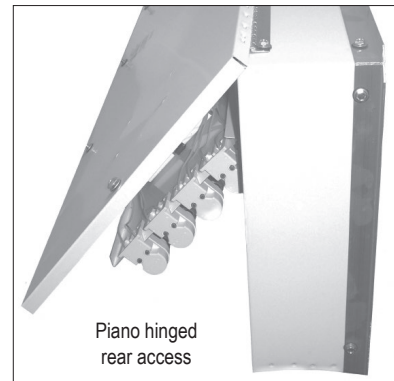
Piano hinged rear access fixture.
 20 gauge steel white powder coat housing
 Spring loaded lamp holders - Except T5HO

ELECTRICAL

Available in 32, 44, and 54 watts in
 T5HO, T8, and T8HO lamps.
 Voltages of 120, 277, and 347 Volts at 50/60Hz

OPTIONS

EM: Emergency battery backup ballast (ETL US only)
 120 or 277V MUST SPECIFY
 5901: 8 Ft. 3-wire whip
 Mounting Kits - ordered separately
 4692: Installation kit



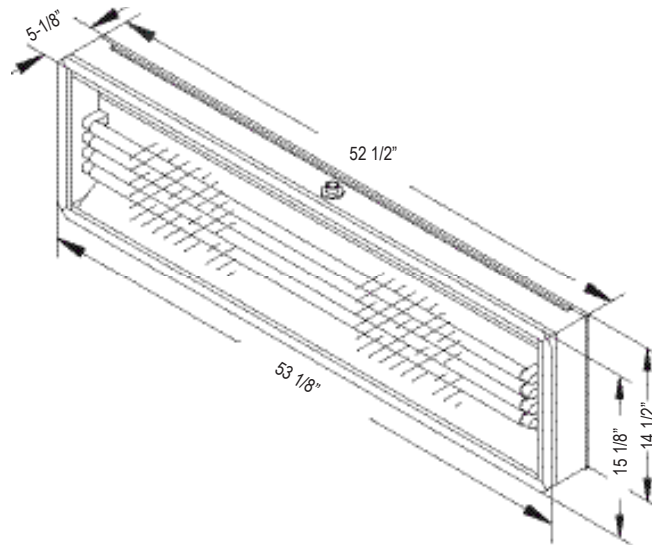
241

HAZARDOUS - BOOTH

Industrial • Paint Spray Booths • Prep, Inspection, Sanding Areas • Laboratories



DIMENSIONS



INSTALLATION

Part Number: 4692 Installation Kit

Item	Description	Qty.
1.	1/2" x 3/4" Gasket	12
2.	Light Clip	4
3.	Glass Clip	2
4.	Clear Tempered Glass 3/16" x 15" x 53"	1
	*Not included in kit. Ordered separately as P/N 1706	
5.	1 1/2" x 1 1/2" Corner Bracket	4
6.	Frame (15 3/4" Long)	2
7.	Frame (53 1/2" Long)	2
8.	1/8" Pop Rivet	8
9.	Nut Hex 1/4 - 20 Zinc Coated	10
	HHCS 1/4 - 20 Zinc Coated	10
	Installation Sketch	1

Installation Detail

