



# LED DOCK LIGHTS/ARMS

## MODULAR LOADING DOCK & TASK LIGHTING

Trailer/Cargo Docks • Manufacturing Areas • Work Stations • Maintenance Pits

### Modular Dock Lights / Modular Arms

The Modular Dock Light features an **Incandescent or LED** fixture head with separate swing arms available with 24in. to 60in. effective reach. Durable, compact design, wear resistant cord and easy-to-mount plate affords a quick installation and long life. Built to endure accidental impact.





DL-INC



DLA2

Modular Heads					
Type	Item #	Housing	Source	CCT	Voltage
LED	DL-INC-LH	Round, high temperature polymer	18W, PAR 38 LED lamp Spring-loaded socket assembly		120VAC (60Hz)
	DLA2-12LED	Cast aluminum housing	9W / 1,200Lm 25° Square Beam Angle	4,000K	120VAC (60Hz)

Accessories - Modular Heads (Order separately, field installed)		
Item #	Description	
PG-1		Guard - Polycarbonate (DL-INC-LH only)
WG-S		Wire guard (DL-INC-LH only)

DLA2 Options		
Item #	Description	Notes
DLA2-12LED-PLG	22" cord w/ 120V, 60Hz NEMA 5-15 plug	1. Not suitable for wet environments 2. Cannot be used with arm assemblies (#DL)
DLA2-12LED-SW	Push button switch on head	1. Not required if purchasing arm assemblies since switch is on arm.

Modular Arms (Order separately, field installed)		
Item #	Description	Arm Length (effective reach)
DLSD-40-ARM-DS	Double strut arm for modular heads	40in.
DLSD-60-ARM-DS		60in.

#### DLA2-12LED

#### CERTIFICATIONS

ETL/cETL  
CSA-C22.2 No.250-08 (Wet Locations)  
Lumen Maintenance (L70) >50,000 hrs. (reported)  
-40°C to 50°C Ambient  
IK10  
CE

#### CONSTRUCTION

Cast aluminum housing  
Impact resistant clear polycarbonate lens  
Safety yellow powder coat finish  
Stainless steel yoke mounting bracket  
Stainless steel hardware  
Weight: 2.7 lbs.

#### ELECTRICAL

120VAC, 60Hz  
Input current (Amps): 0.13  
Recessed 3-prong IEC type (C-14) plug (standard)  
22in. cord (standard)

#### FEATURES

Mounting: Yoke Bracket (.50" clearance hole)  
20° Square LED beam angle  
5 Year Warranty

#### DL-INC-LH

#### CERTIFICATIONS

ETL/cETL  
CSA-C22.2 No.250-08 (Wet Locations)  
Suitable for dry locations

#### CONSTRUCTION

High temperature polymer housing  
Safety yellow powder coat finish  
Zinc plated yoke mounting bracket  
Zinc plated steel hardware  
Weight: 6.0 lbs.

#### ELECTRICAL

120VAC  
3-prong IEC type (C-14) plug - standard  
Input current (Amps): 2.08 (at max. 250W)  
~12in. cord

#### FEATURES

Mounting: Yoke Bracket  
Low cost  
Optional guards (order separately, field installed)  
Instant-on

#### Modular Arms

#### CERTIFICATIONS

ETL/cETL  
CSA-C22.2 No.250-08 (Wet Locations)  
Suitable for dry locations

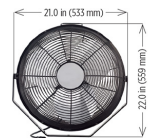
#### CONSTRUCTION

1.6" Square, steel tubing (arms)  
Safety yellow powder coat finish  
Zinc plated mounting bracket  
Washers at all joints and bushings at bracket joints

#### ELECTRICAL

120VAC  
On/Off rocker switch with IEC type receptacle  
3-prong wear-resistant cord  
Female receptacle on arm (male plug on modular heads)

#### Accessories - Arms (Order separately, field installed)

Item #	Description	
DL-18-FAN		18" Blade 5,500 cfm Plugs into arm assembly



1-800-854-0021 www.ldpi-inc.com  
LDPI® is a registered trademark of LDPI, Inc. © LDPI, Inc.

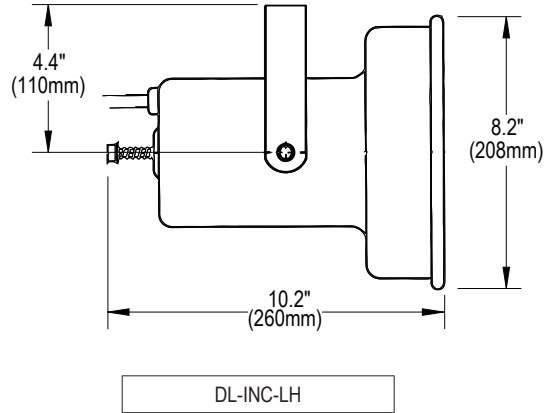
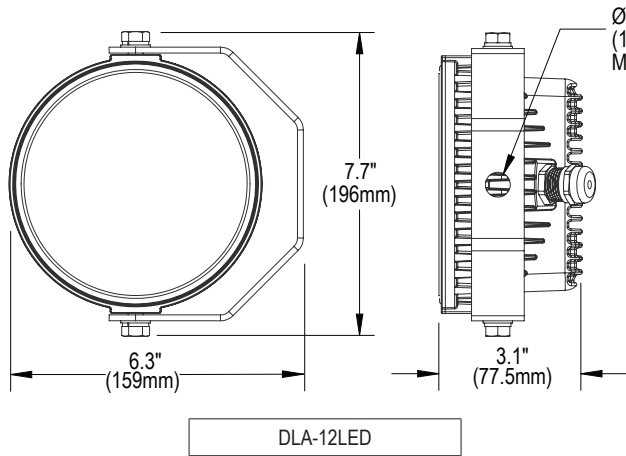
Product design and specifications subject to change without notice.  
Visit www.ldpi-inc.com for the most current version and photometric data. v.05.01.24

# LED DOCK

## LOADING DOCK & TASK LIGHTING

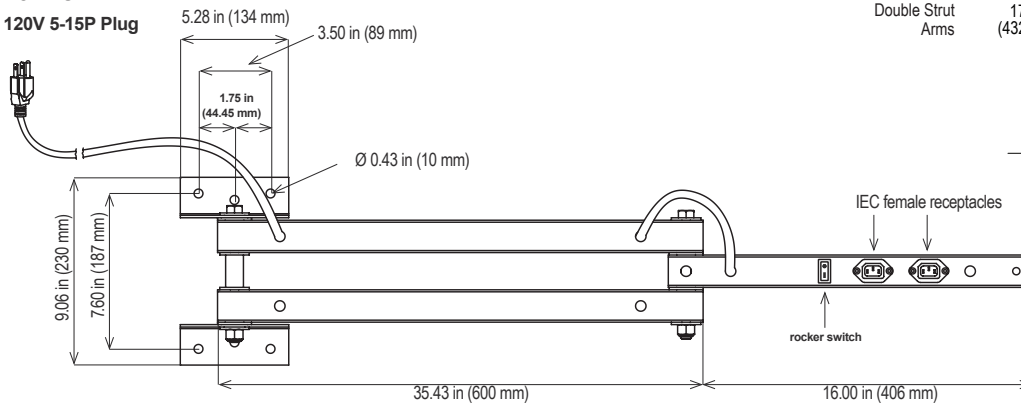
Trailer/Cargo Docks • Manufacturing Areas • Work Stations • Maintenance Pits

### DIMENSIONS (MODULAR HEADS)



### DIMENSIONS (MODULAR ARMS)

#### 40 Inch Arm 120V 5-15P Plug



#### 60 Inch Arm 120V 5-15P Plug

